



創意發明家

CREATIVE TRACK

FUN LAB



1274

58 PCS

3+

知識來自於經驗

KNOWLEDGE COMES FROM EXPERIENCE ALONE



20

MODELS TO BUILD



前言 /Introduction	P2
零件表 /Parts List	P3
課前準備 /Class Preparations	P4
雙筒望遠鏡 /Binoculars	P5
手錶 /Watch	P6
密封盒 /Sealed Box	P7
剪刀 /Scissors	P8
天文望遠鏡 /Telescope	P9~10
手搖鑽 /Hand Drill	P11
電鑽 /Electric Drill	P12~13
A 字梯 /A Ladder	P14
工地安全帽 /Site Helmet	P15~16
墊腳椅 /Padded Chair	P17
路燈 /Street Lamp	P18~19
燙斗與熨燙板 /Iron & Ironing-boards	P20~21
吹風機 /Hair Dryer	P22~23
曬衣架 /Clothes Hang	P24
掃帚與畚箕 /Broom & Dust Pan	P25~26
迅猛龍 /Raptor	P27~28
腕龍 /Brachiosaurus	P29~31
翼手龍 /Pterosaur	P32~33
蛇頸龍 /Plesiosaur	P34~36
霸王龍 /T-Rex	P37~38

各位小朋友，歡迎你加入 Gigo 智高的 FUN LAB 積木實驗室。

在 FUN LAB 積木實驗室中有許多的智高積木，這些形色多樣的積木，它們能重複使用，做出千萬種變化，同時還能省時省力，是我們接下來要進行一連串有趣好玩實驗的最佳幫手哦！在我們親手組裝及操作積木的過程中，不僅能夠體會組裝創作的樂趣，還能夠學習到許多知識，例如：色彩搭配的美學、簡單的機械原理、綠色能源的應用、科技積木的體驗、創意的機關製作...等。而且，我們還可以和好朋友團隊合作，加入自己的想法，激發創意，打造出獨一無二的積木模型。跟隨我們在這座實驗室裡一步一步地探索，快樂地學習各種知識，除了能培養我們正確的學習態度及解決問題的能力，更能將這些知識活用於日常生活，進而學習創新的技巧與能力。

看到這裡，相信各位小朋友都已經迫不及待了，那麼，就讓我們一起進入充滿樂趣的 FUN LAB 積木實驗室吧！

Welcome to join the Gigo's FUN LAB of the building blocks.

There are a variety of blocks in FUN LAB which have diverse types of forms repeatedly used to make tens of millions of changes. Therefore, those variations can enable us to conduct a series of fun and interesting experiments! During the process of the assembly, not only can you experience the fun of assembling creation, but also you are capable of gaining lots of knowledge, such as : color-matching aesthetic, simple mechanical principles, the application of green energy, making creative models ... and so on. Moreover, you also can collaborate with friends as a team, incorporate your own ideas and develop creativity to create your own unique model. Follow us step by step to explore in this lab, and you will be happy to learn all aspects of knowledge. In addition to your ability to cultivate the positive attitude towards learning and problem-solving skills, more knowledge will be used in your daily life, and then you can acquire the innovative skills and abilities.

Now, I am sure you cannot wait. Let's get into the world of the Fun Lab!
Let's go!

1



A-活動眼球
A-EYE
x2

2



A-軌道結合器
A-TRACK CONNECTOR
x4

3



A-60mm圓棒
A-60mm CONNECTOR
x4

4



A-OD70x20mm塑膠輪
A-OD70 WHEEL
x2

5



A-OD50x20mm塑膠輪
A-OD50 WHEEL
x2

6



A-4孔長條
A-4 HOLE ROD
x6

7



A-2孔長條
A-2 HOLE ROD
x4

8



A-3孔圓長條
A-3 HOLE ROUND ROD
x2

9



A-2凸3孔結合器
A-PEG ROD
x1

10



A-160mm圓棒
A-160mm CONNECTOR
x2

11



A-80mm圓棒
A-80mm CONNECTOR
x4

12



A-90度結合器
A-LATERAL PEG
x6

13



A-直線結合器
A-FRONT PEG
x6

14



A-2x3孔長方框
A-3X2 HOLE BASE
x2

15



A-弧長方顆粒
A-ARC FLAT PEG
x1

16



A-單孔結合器
A-ROD CONNECTOR
x2

17



A-6孔直線軌道
A-6 HOLE TRACK
x2

18



A-3孔斜坡軌道
A-SLIDE TRACK
x2

19



A-單孔固定軌道
A-1 HOLE TRACK
x2

20



C-200mm橡皮筋
C-200mm RUBBER BAND
x2

課前準備 *Class preparations*

轉接器拆解技巧

Peg dismantling tips

90度轉接器

Lateral peg



直線轉接器

Front peg



軌道的方向

The direction of the track



組裝時請注意正反面

Note the front and the back while assembling.

眼睛

Eye



眼珠可調整角度

Eye can be adjusted at any angle.

圓棒

Connector



轉動圓棒，較容易組裝進去

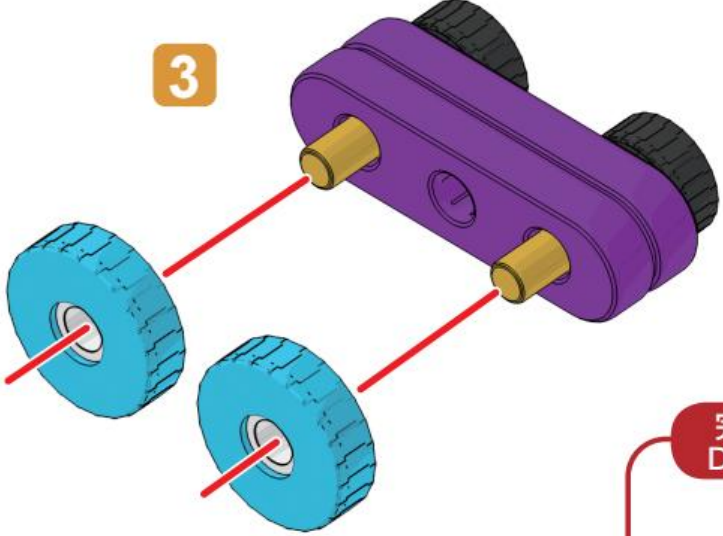
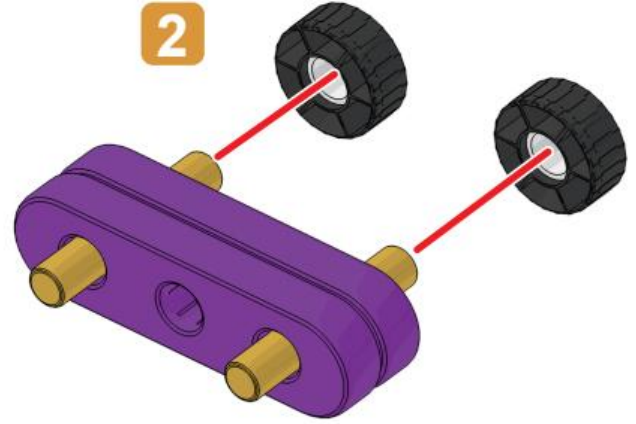
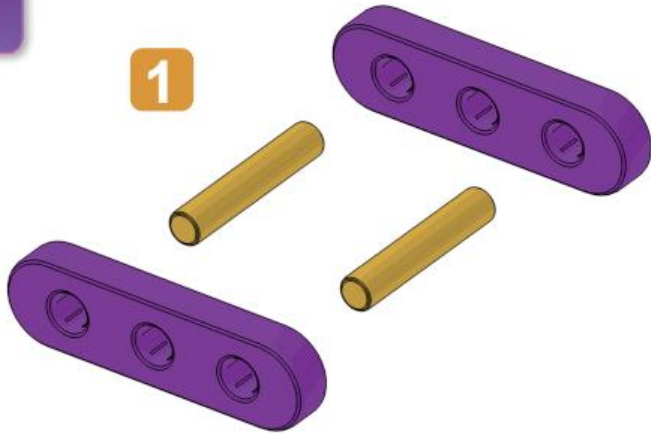
Turn the connector around to make assembling easier.

輕敲桌面，較易於拆裝

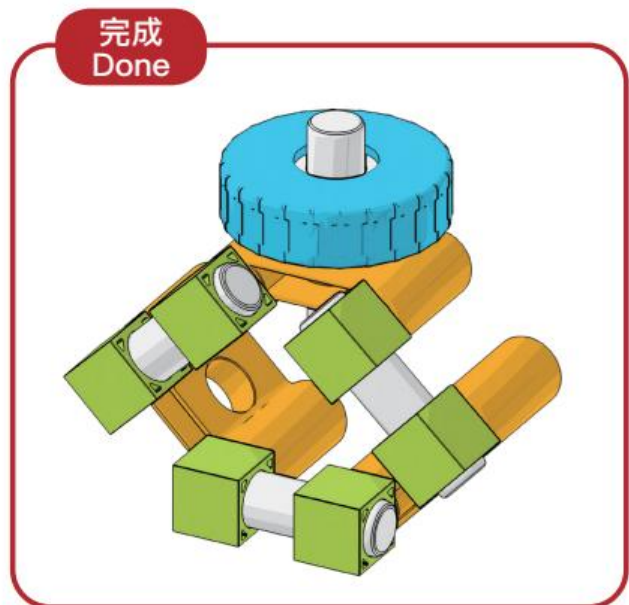
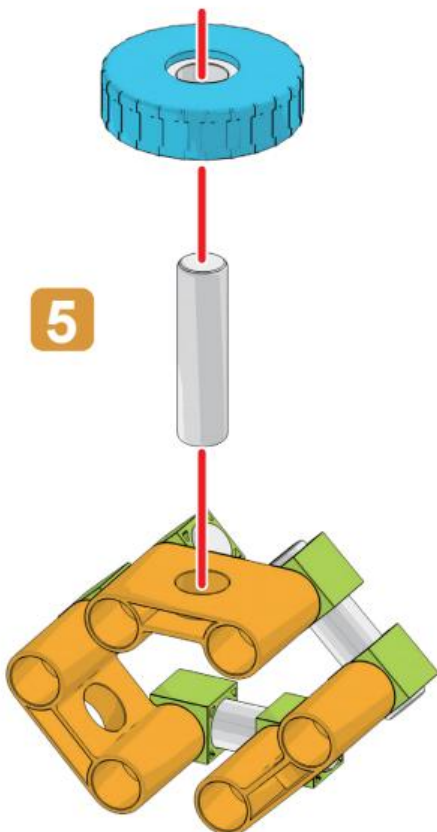
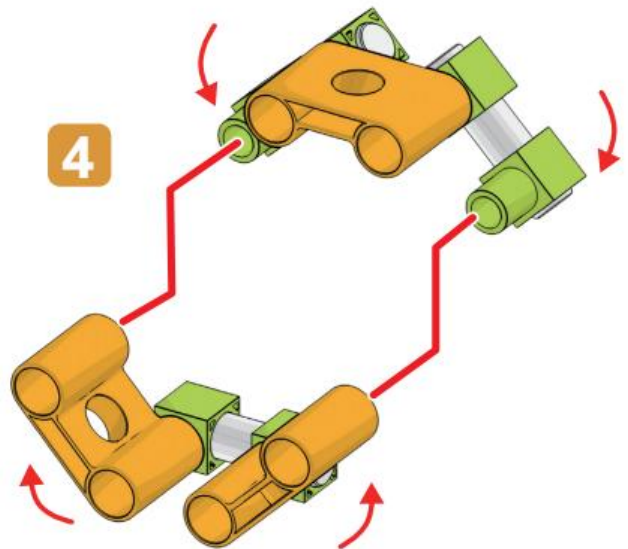
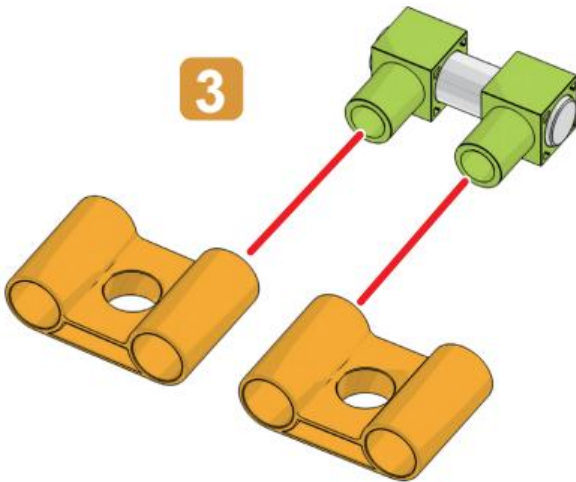
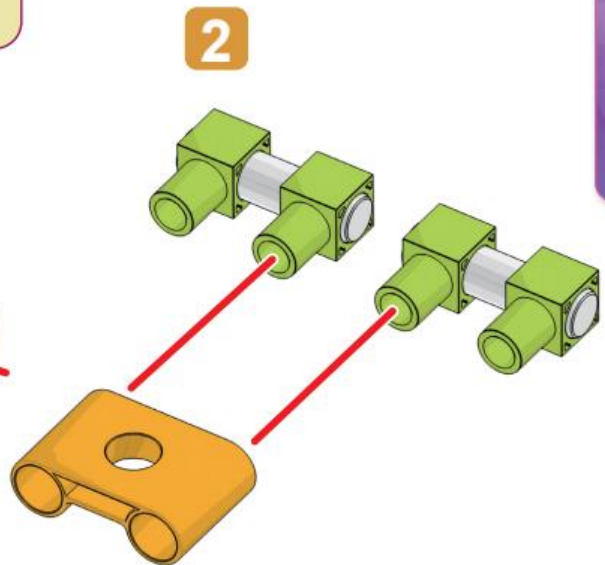
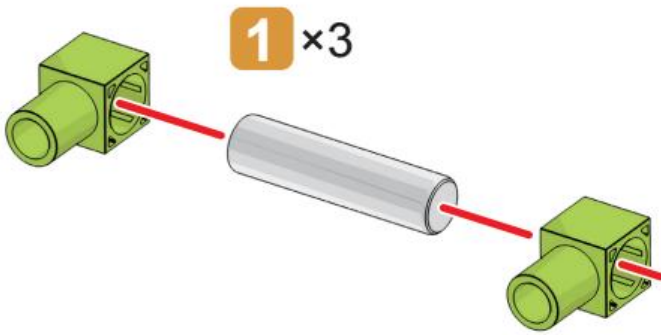
Tap the connector on the desktop to make disassembling easier.

雙筒望遠鏡

Binoculars





			
2	3	4	12
x3	x4	x1	x6

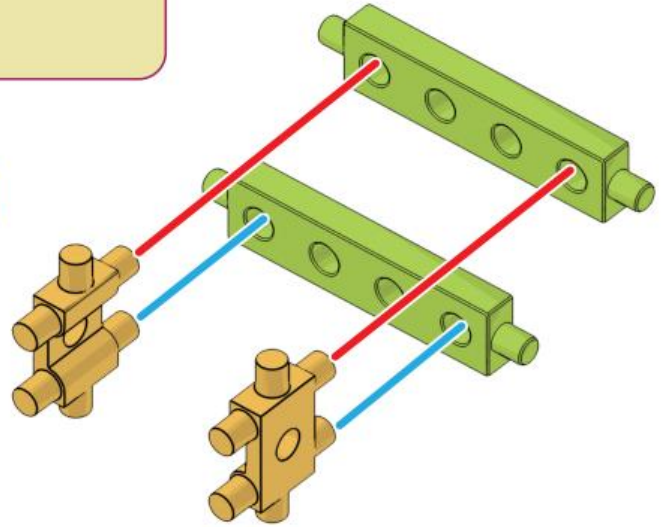


密封盒

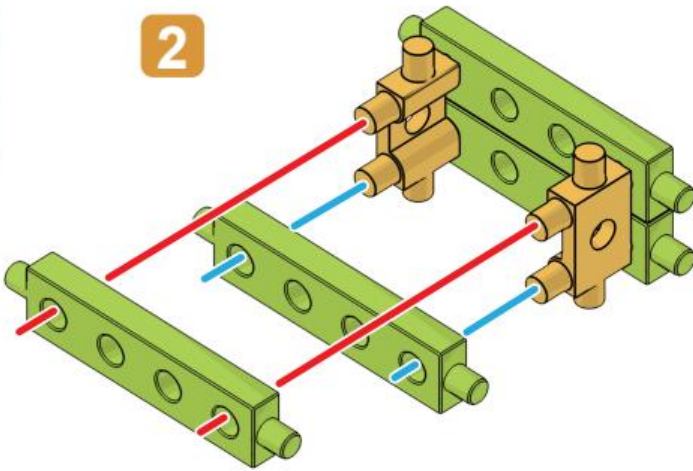
Sealed Box

		
6	9	19
x6	x1	x2

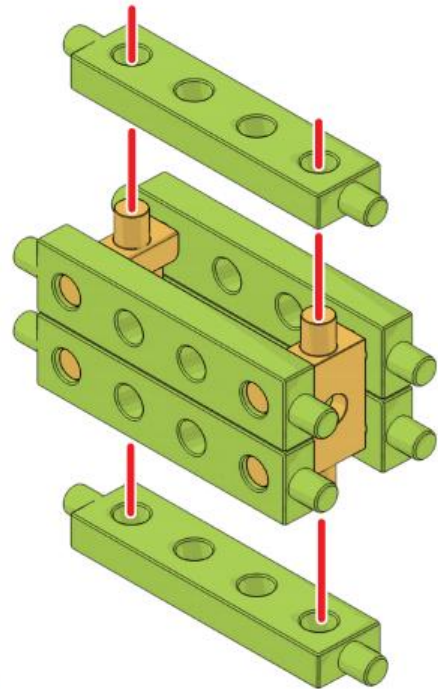
1



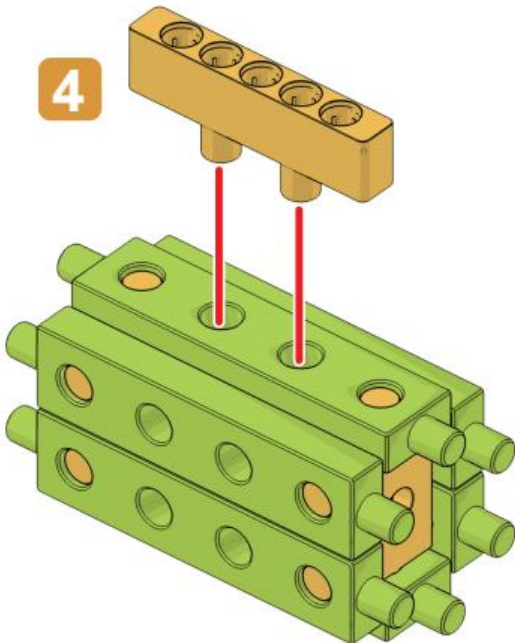
2



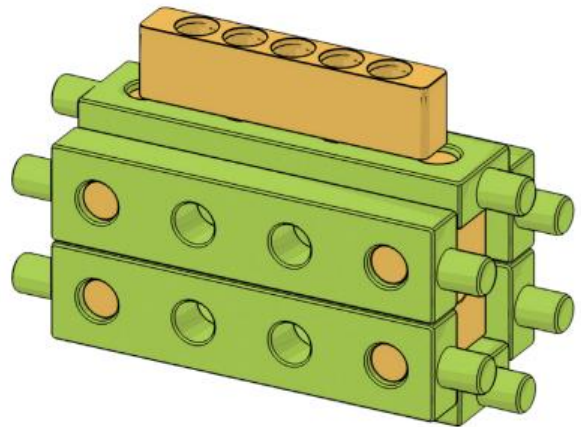
3



4

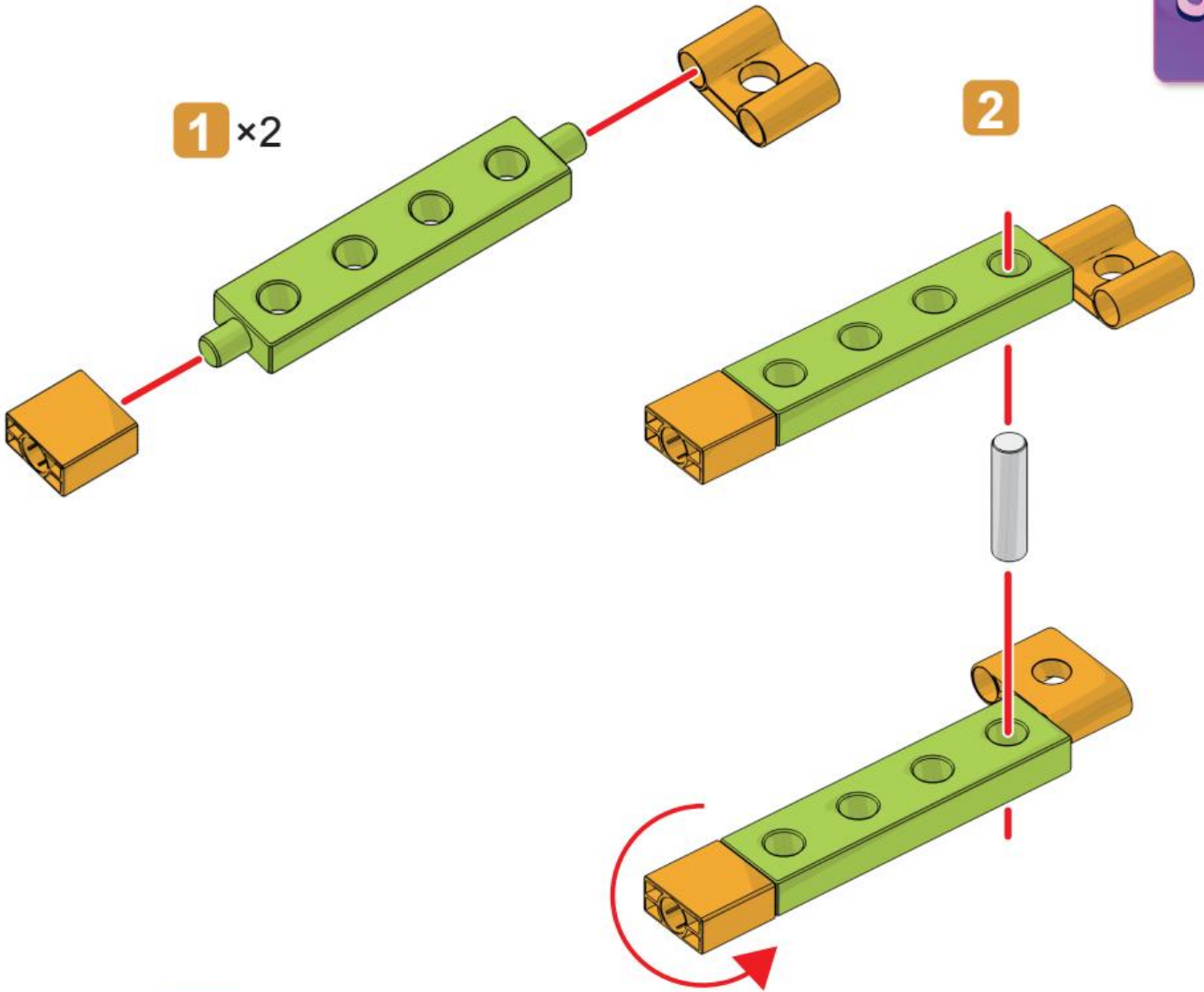


完成
Done

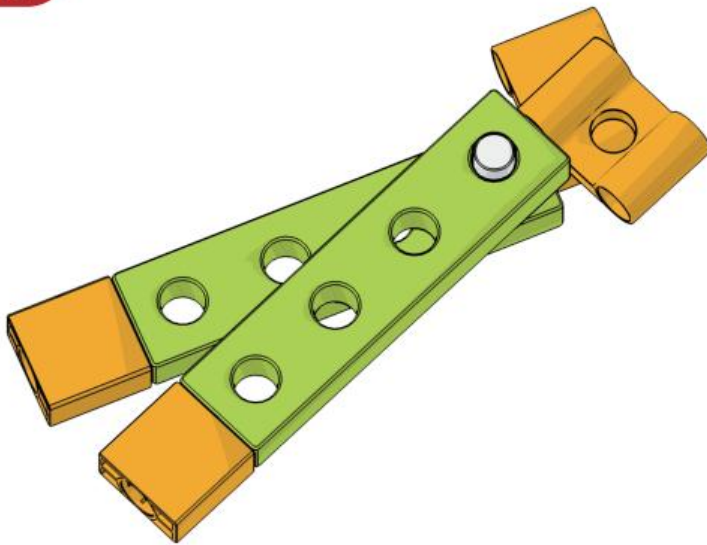


剪刀

Scissors

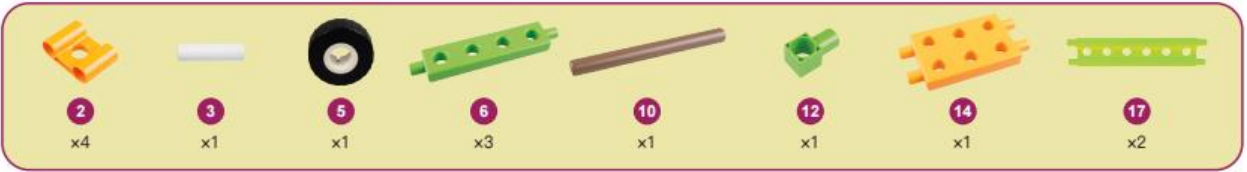


完成
Done

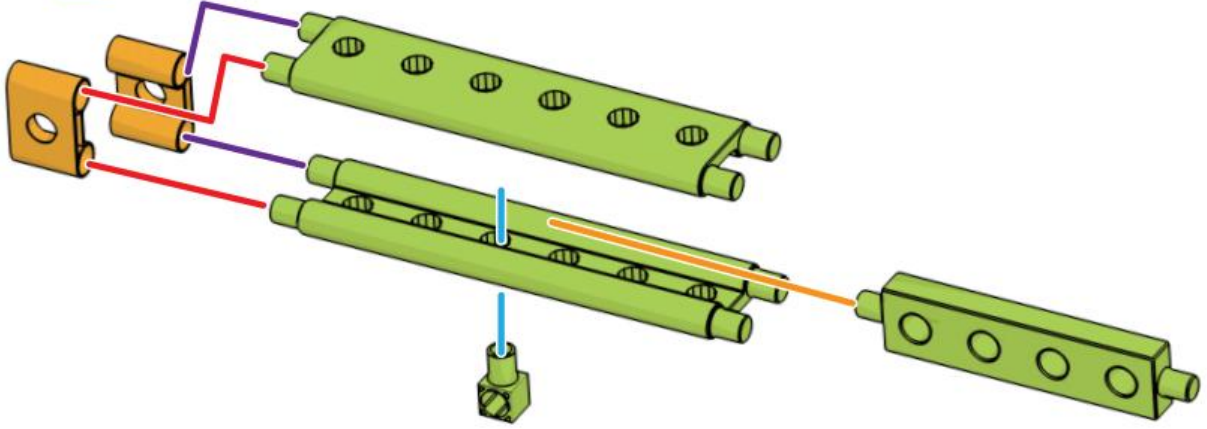


天文望遠鏡

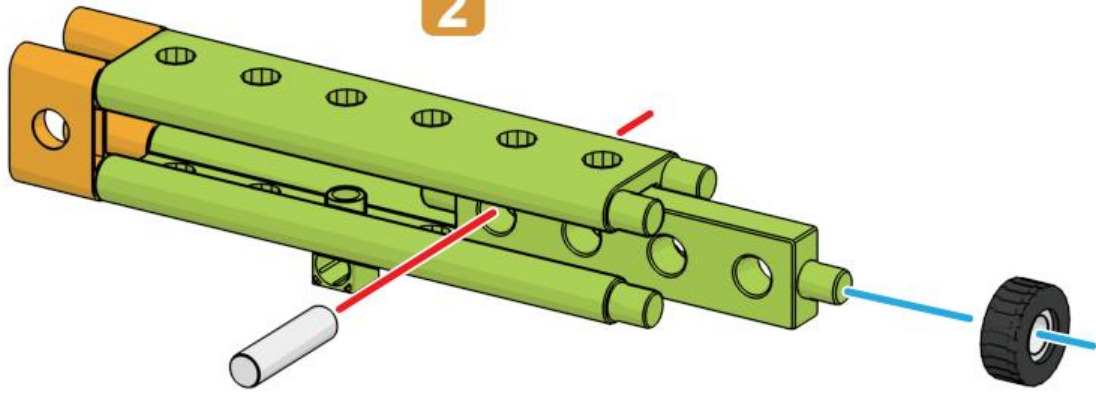
Telescope



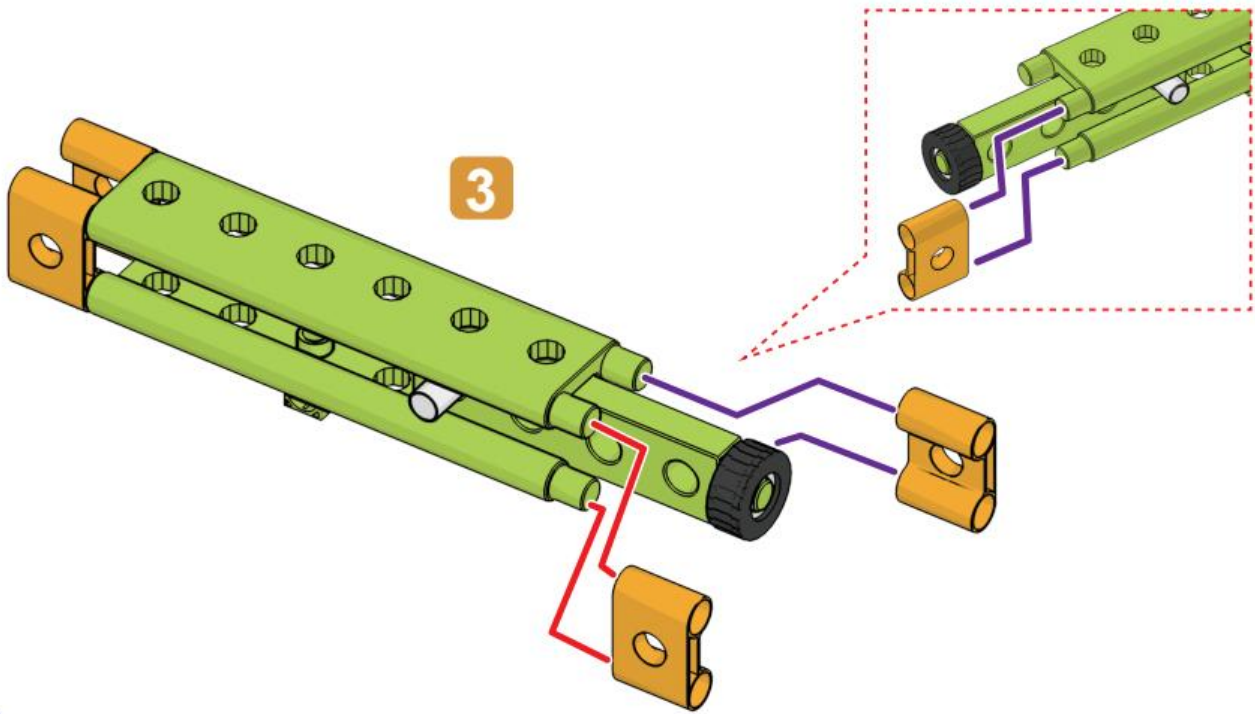
1

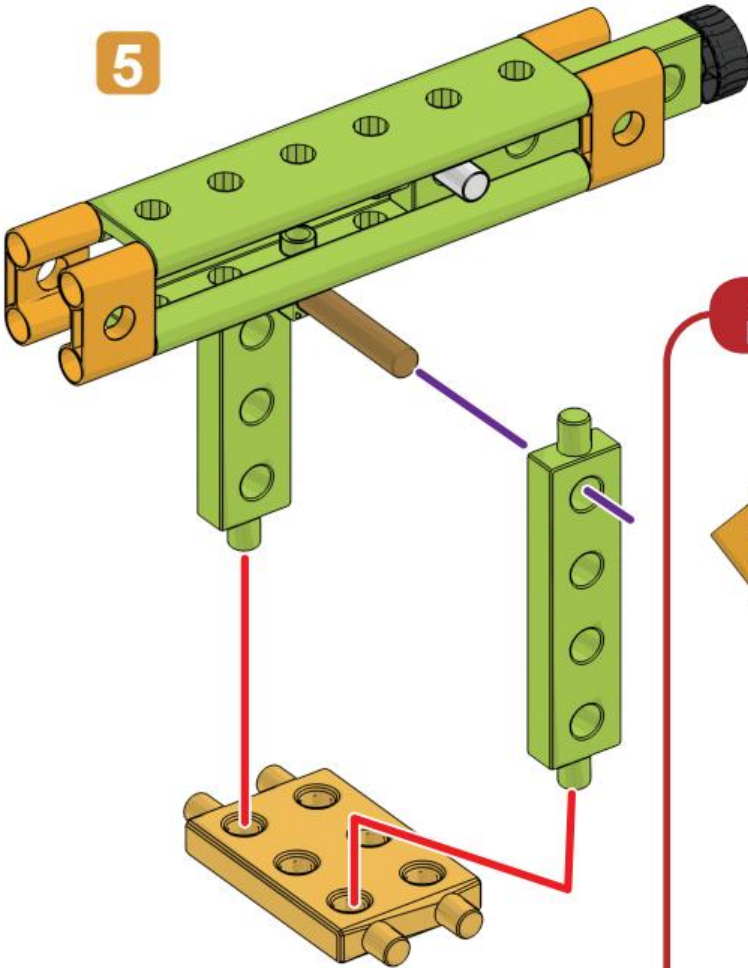
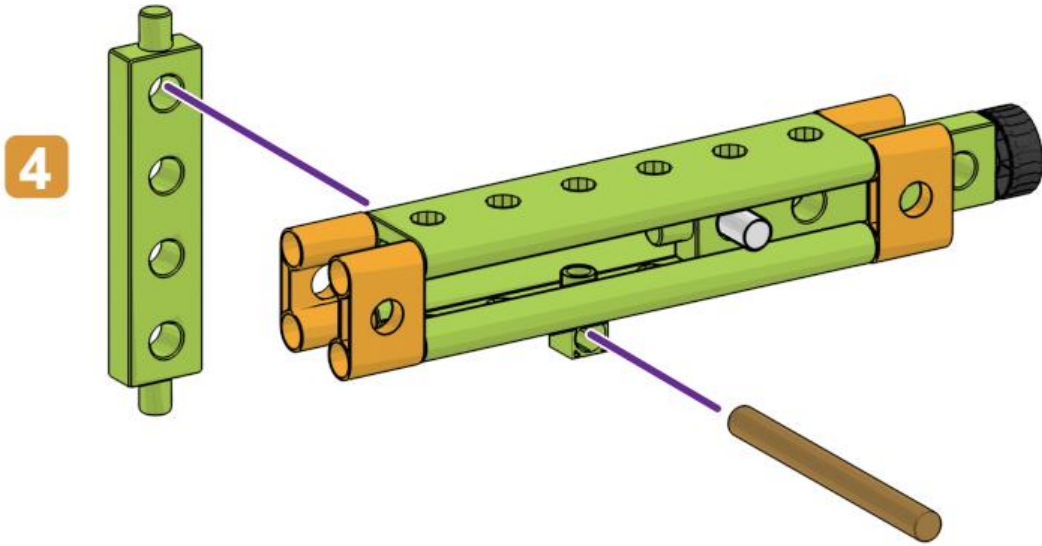


2

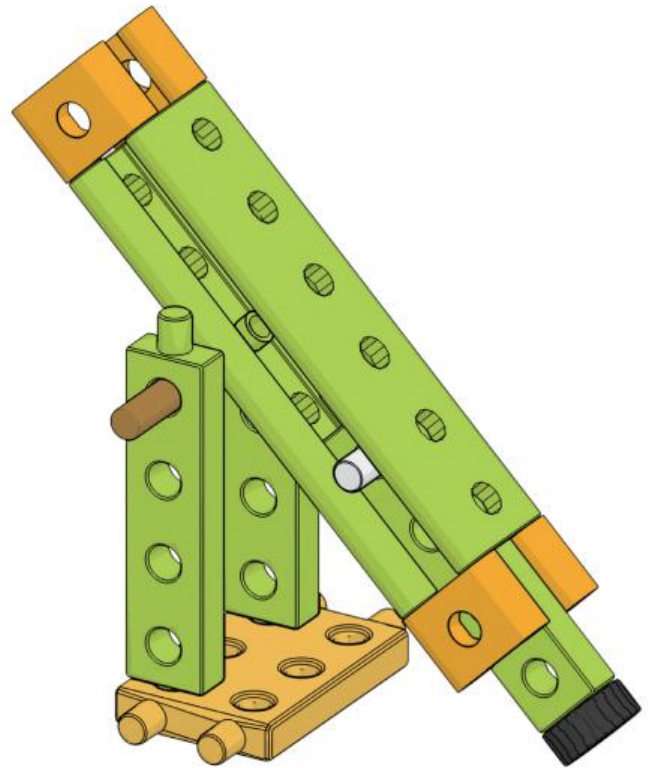


3



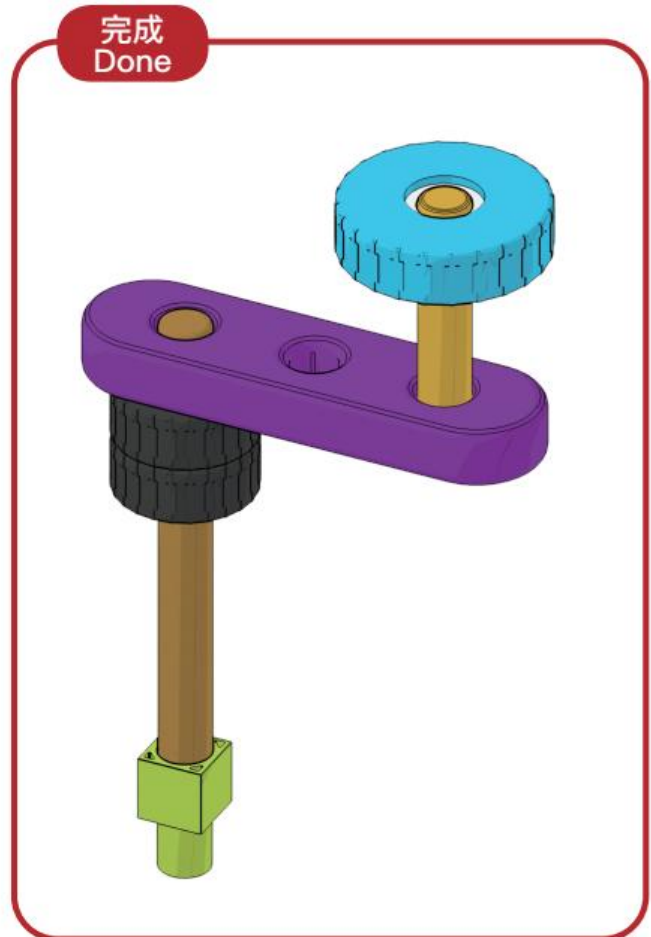
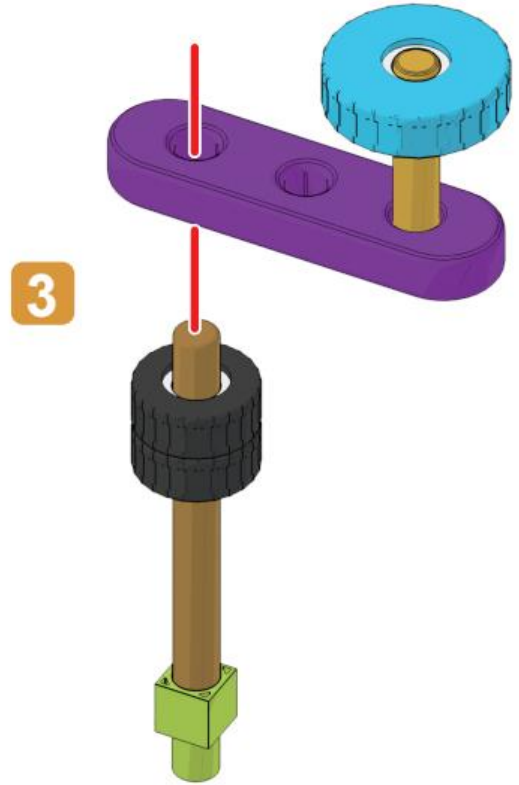
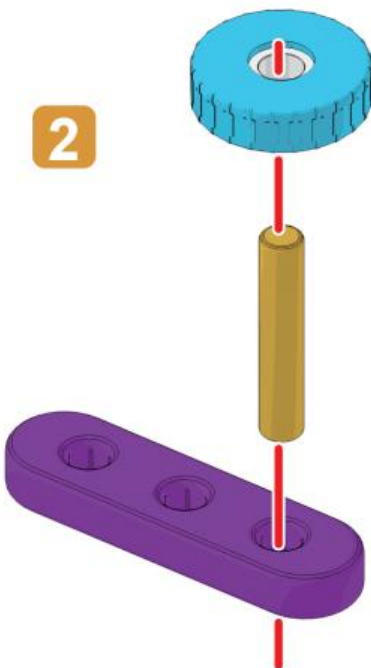
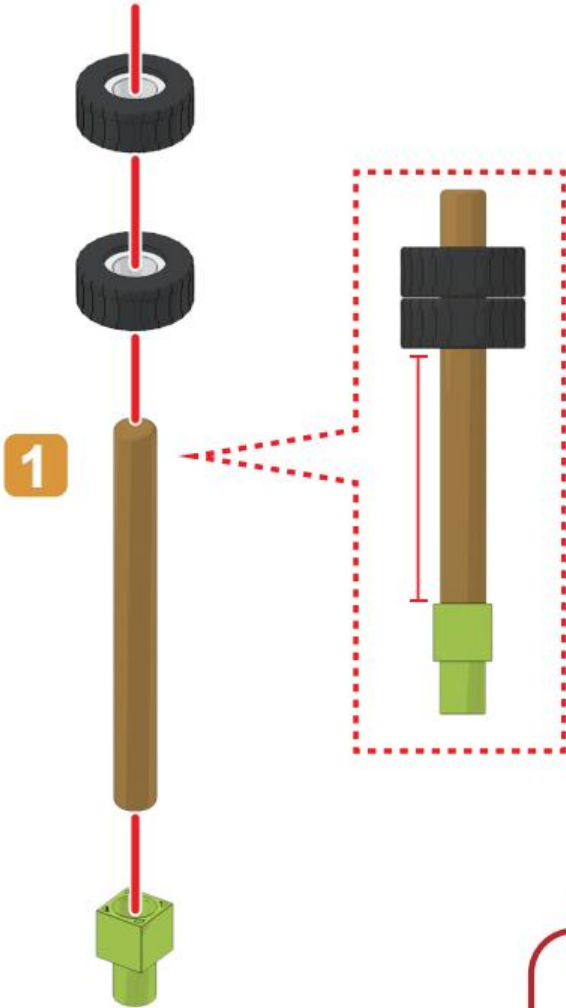
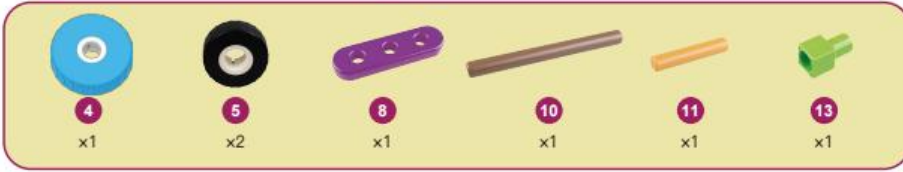


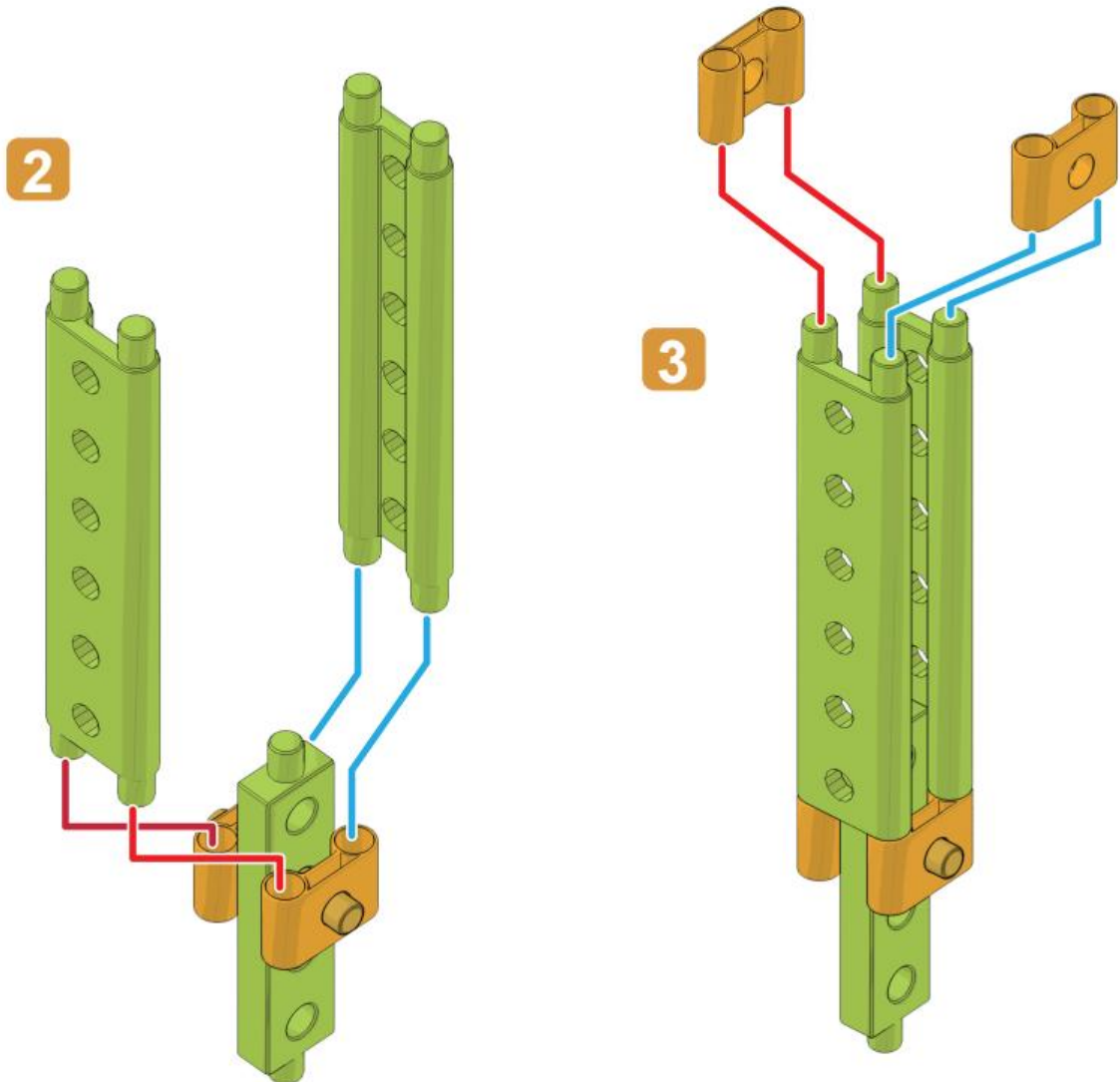
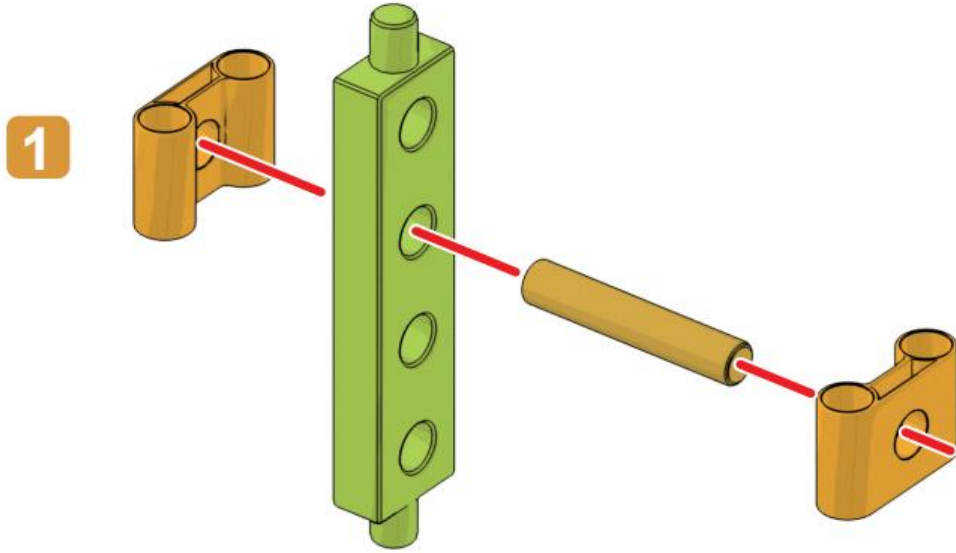
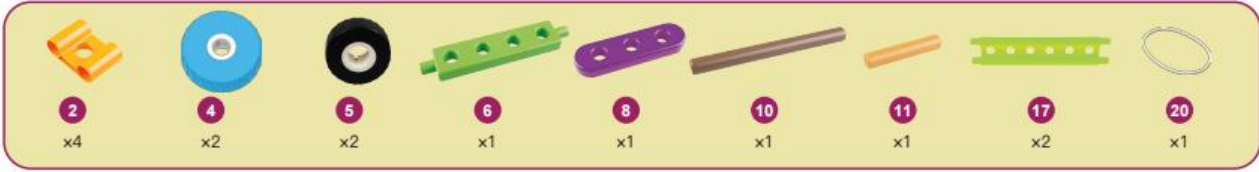
完成
Done



手搖鑽

Hand Drill

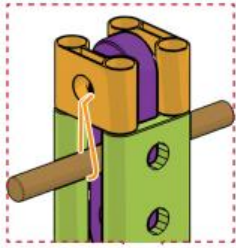
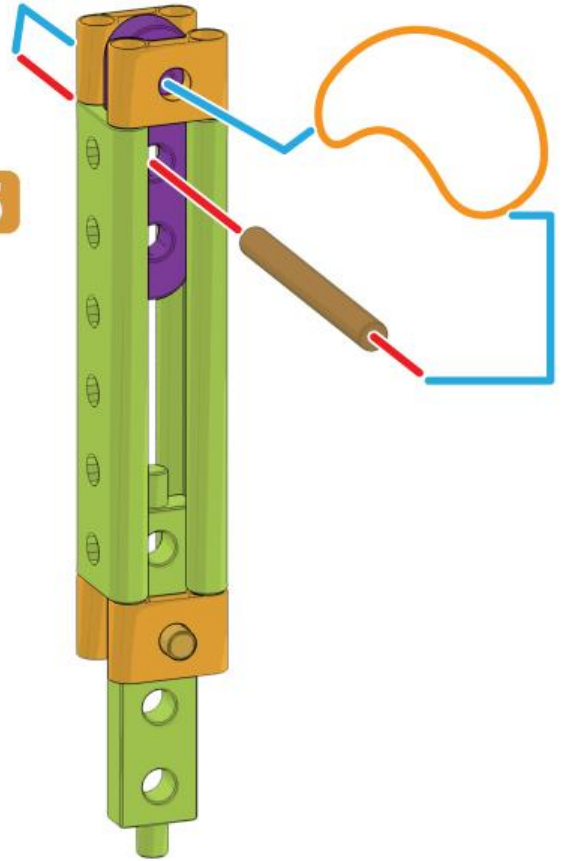




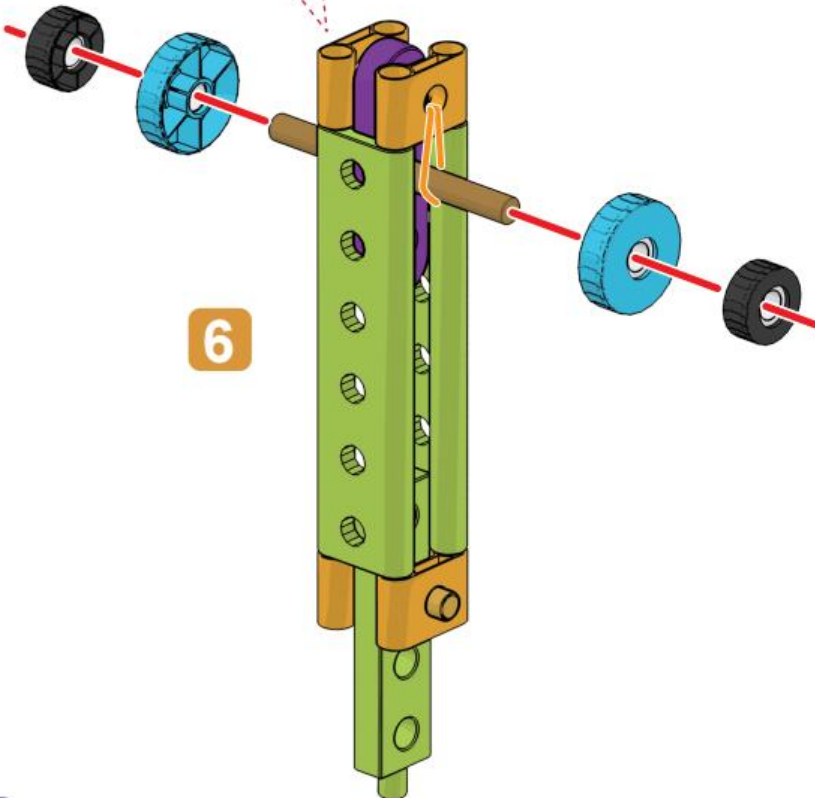
4



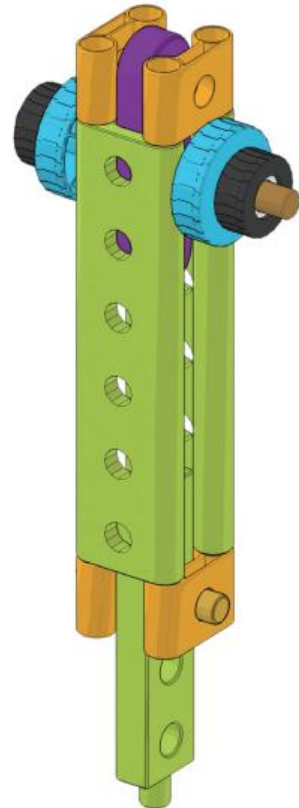
5



6

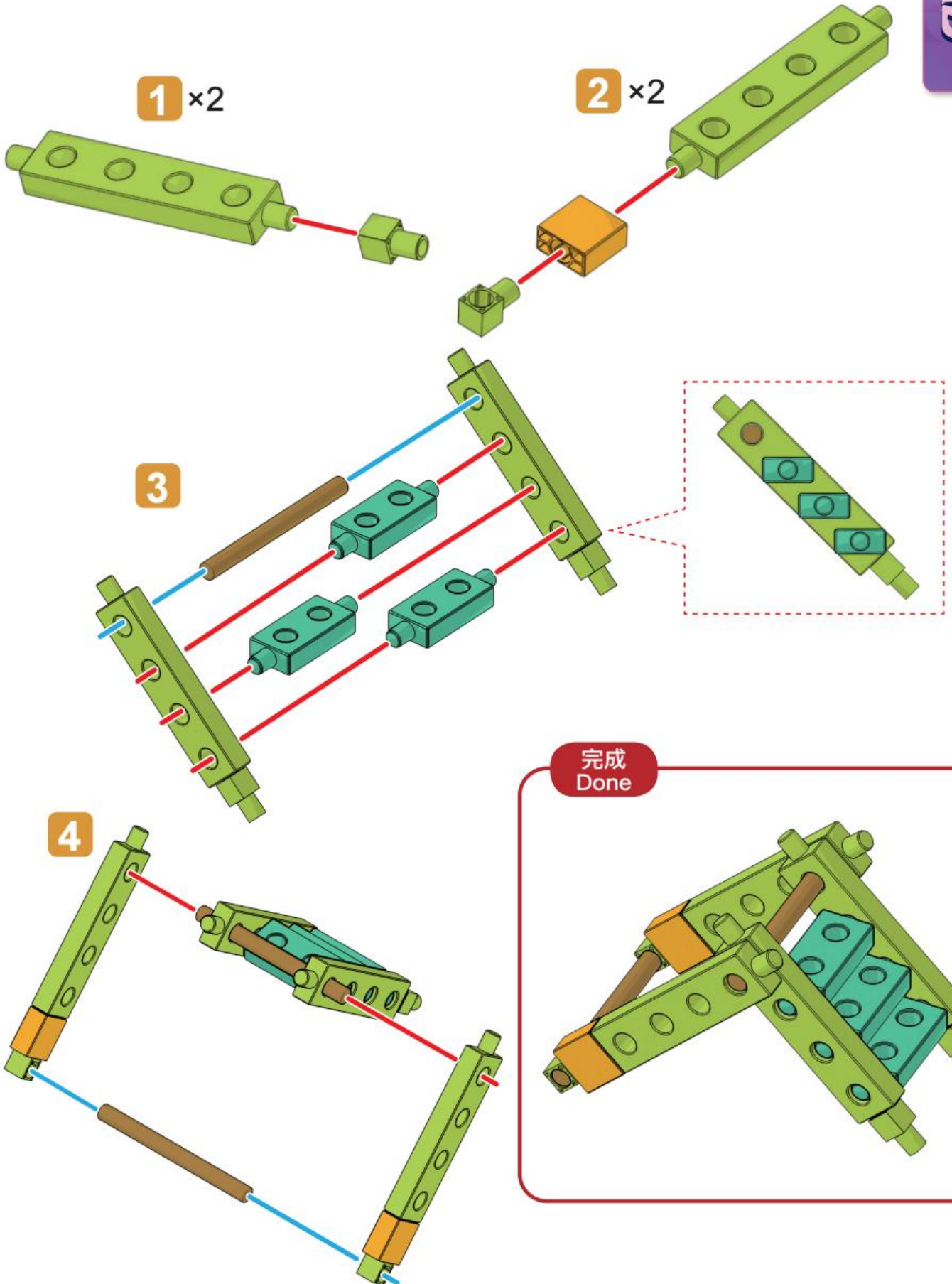
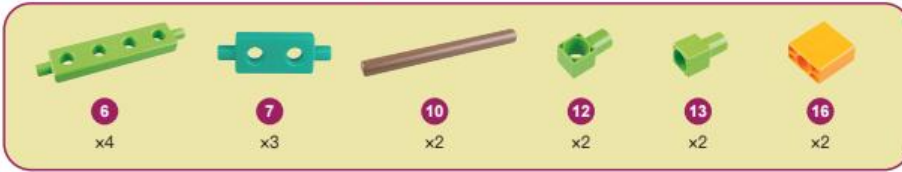


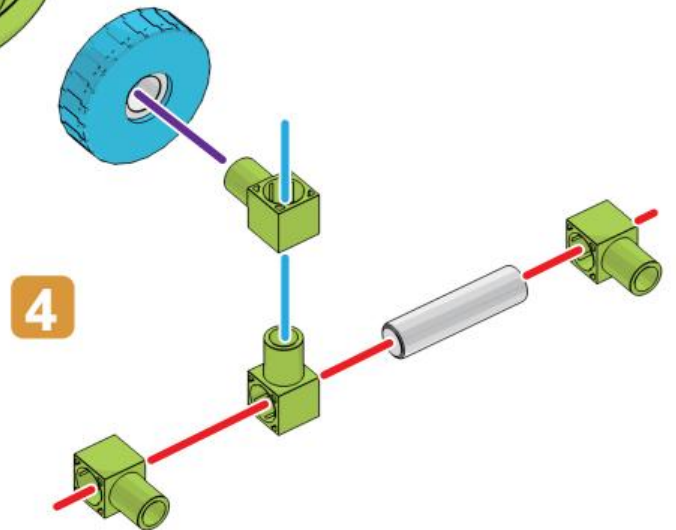
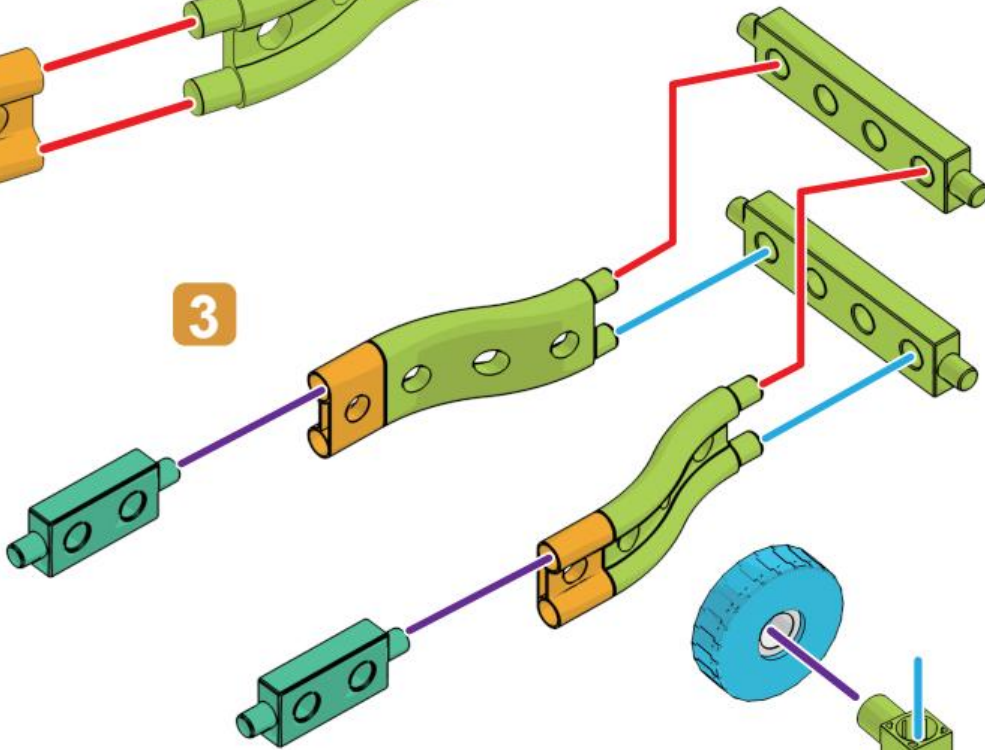
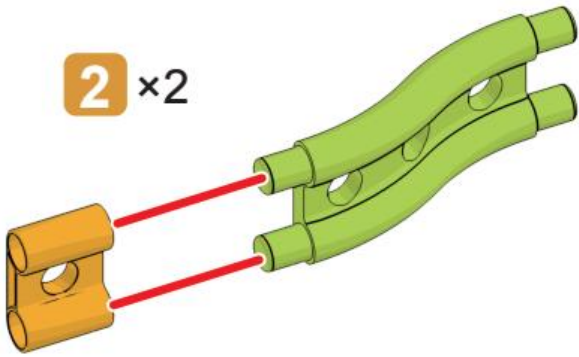
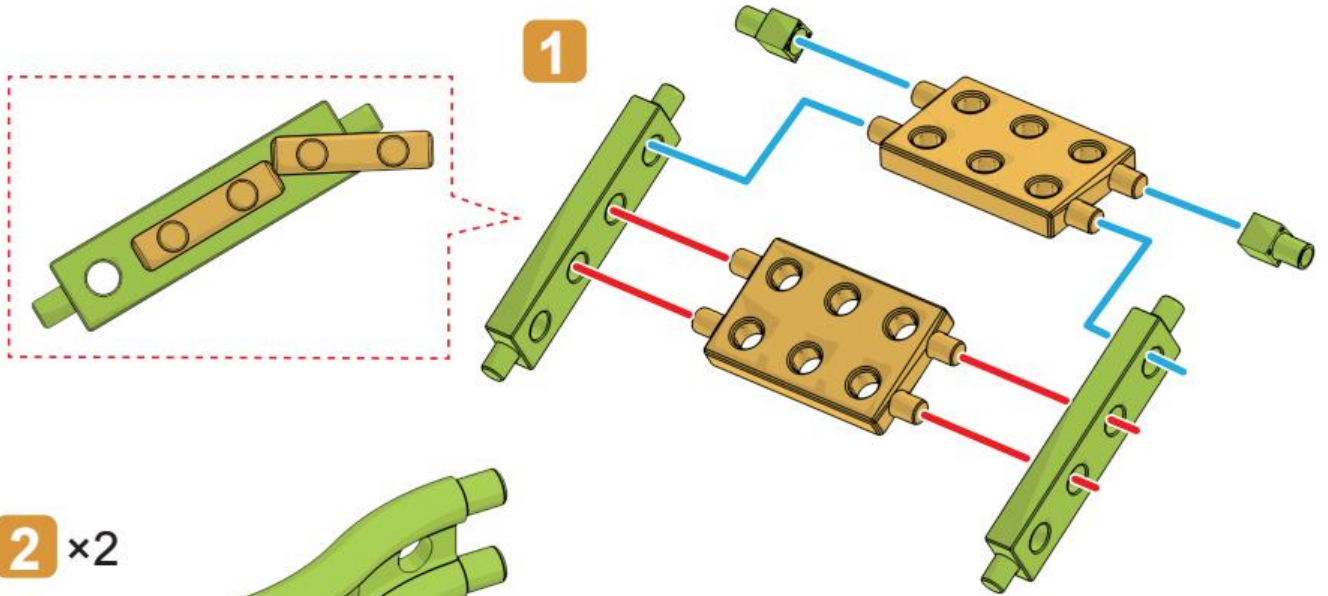
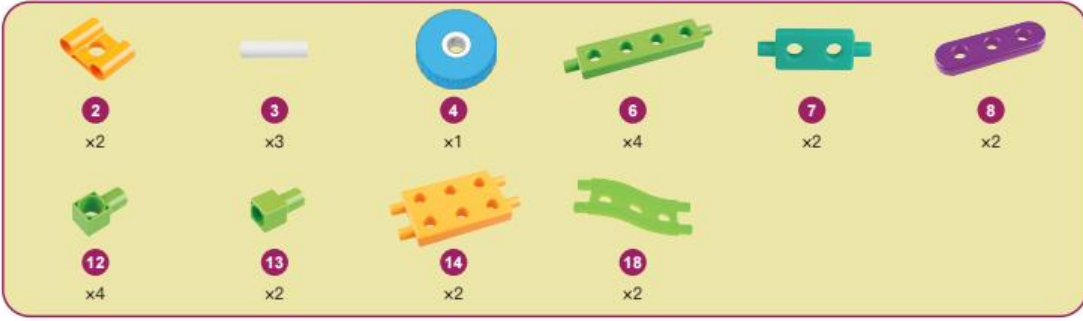
完成
Done

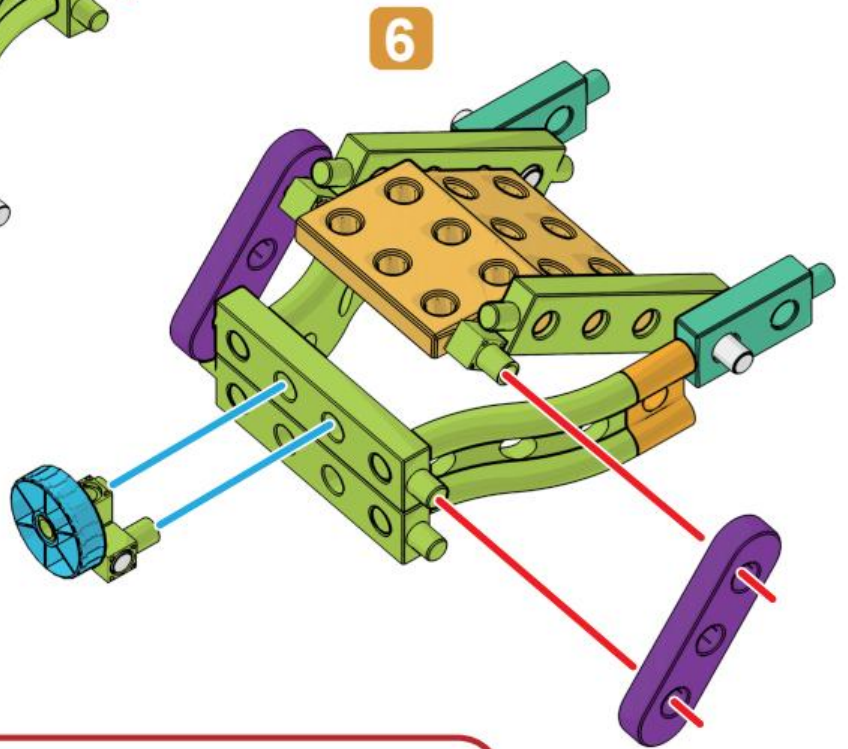
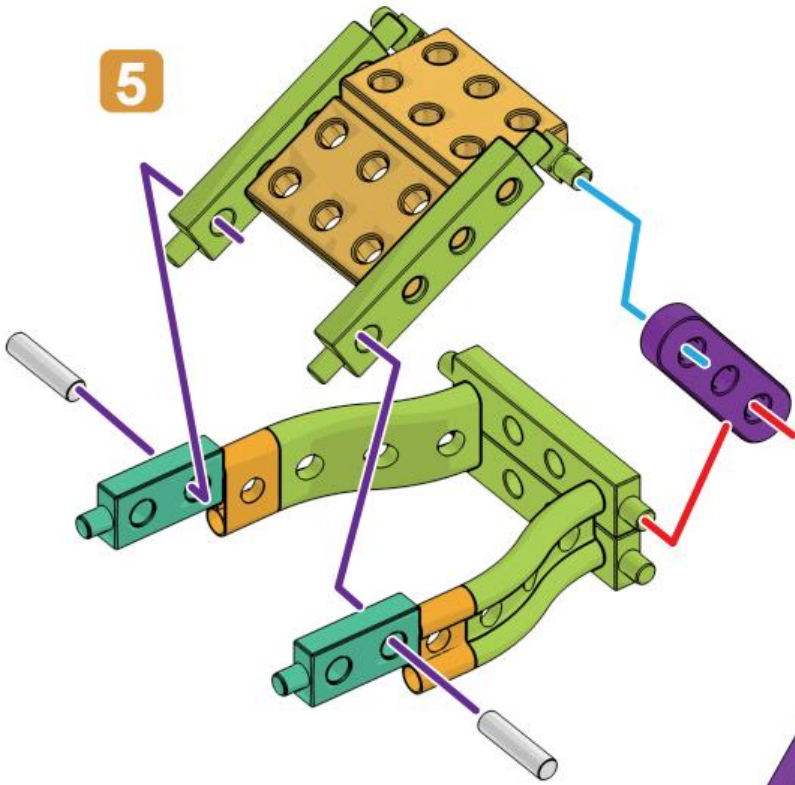


A 字梯

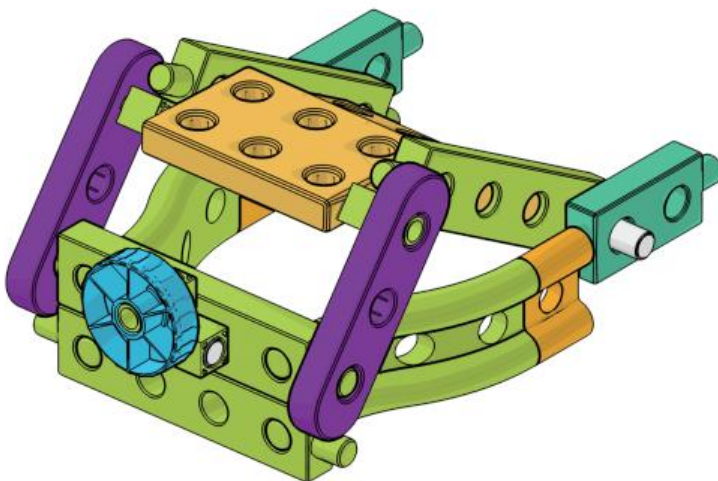
A Ladder





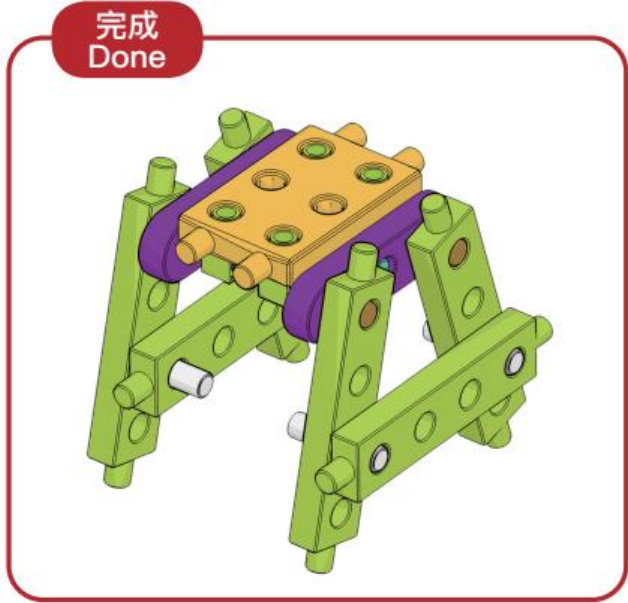
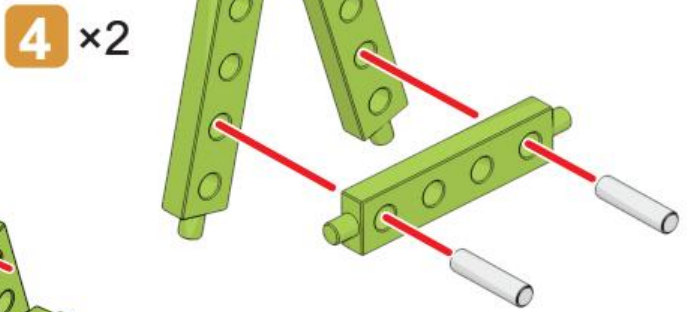
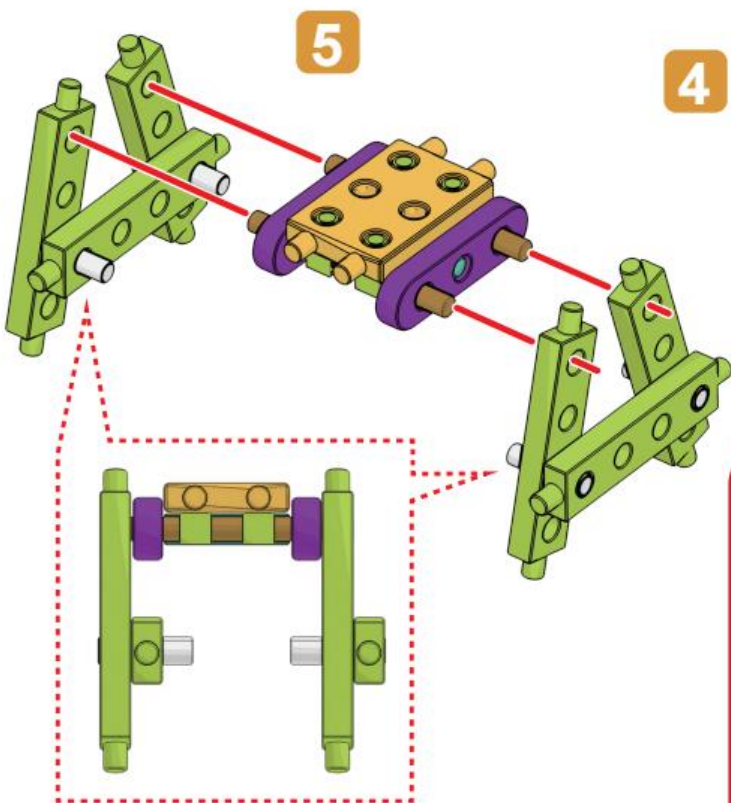
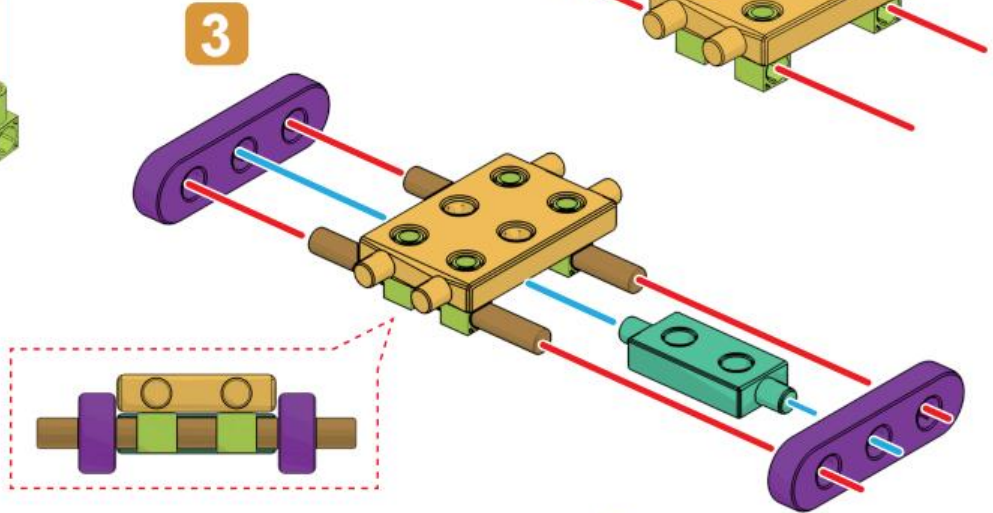
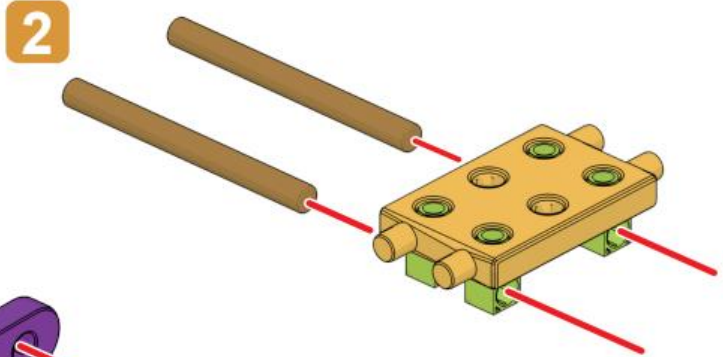
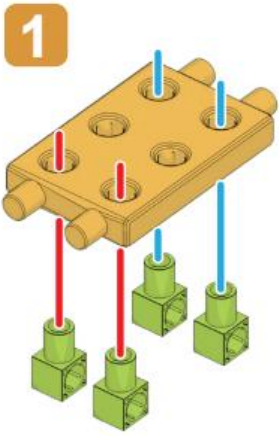
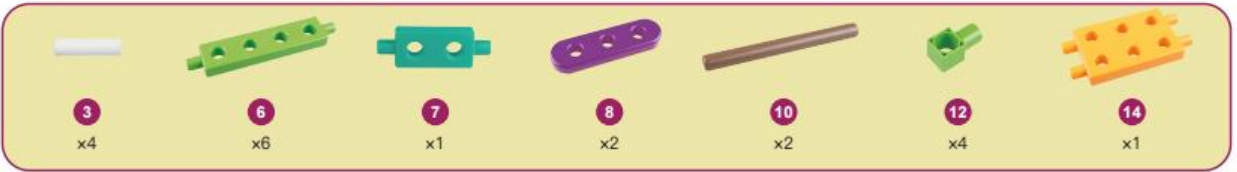










完成
Done

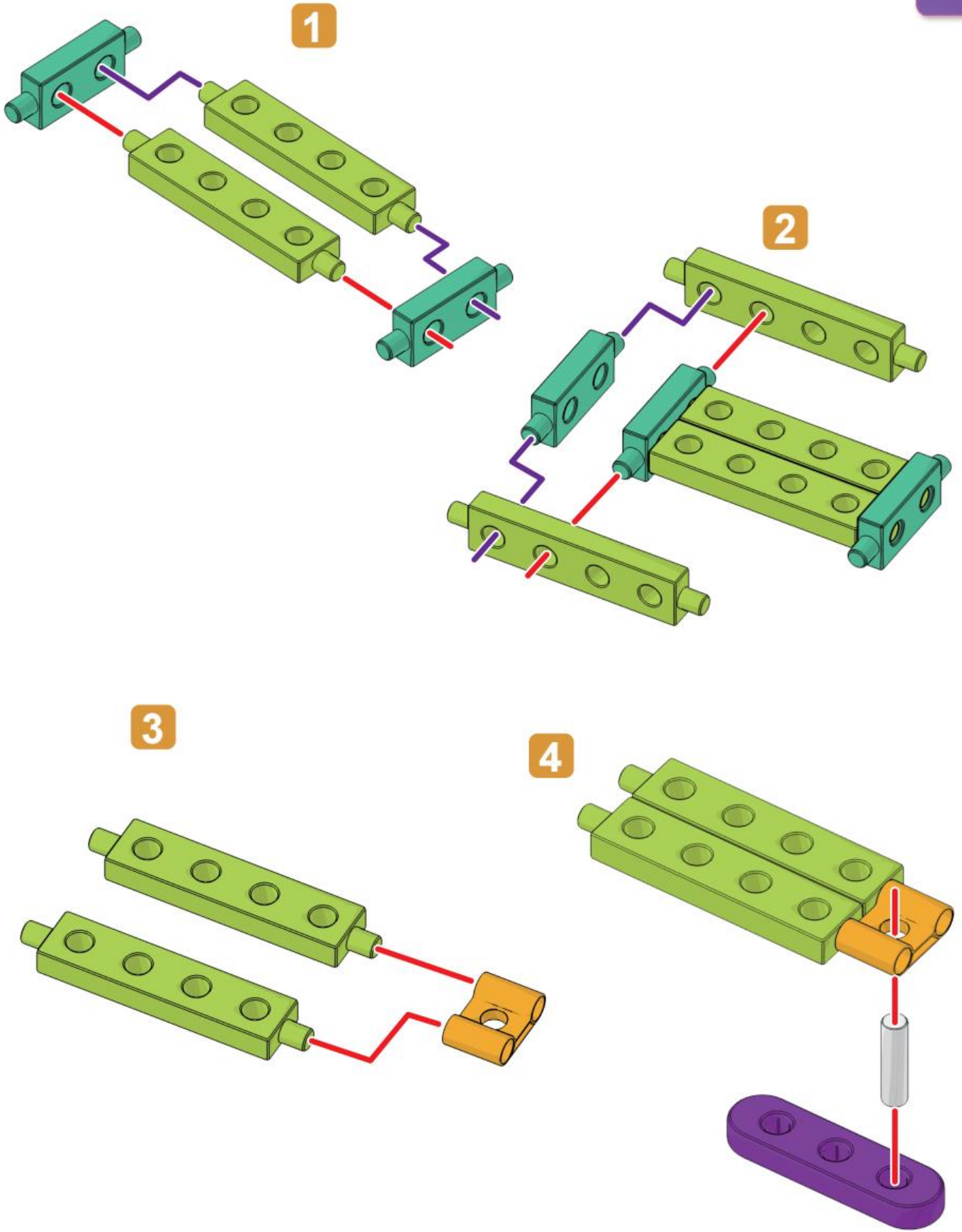


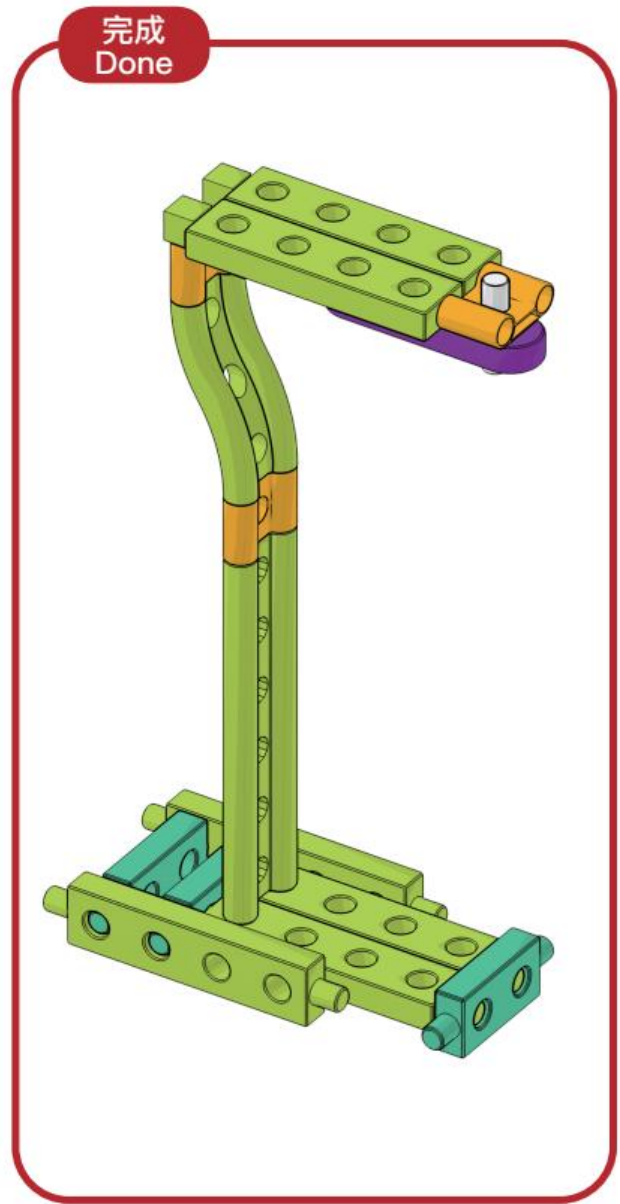
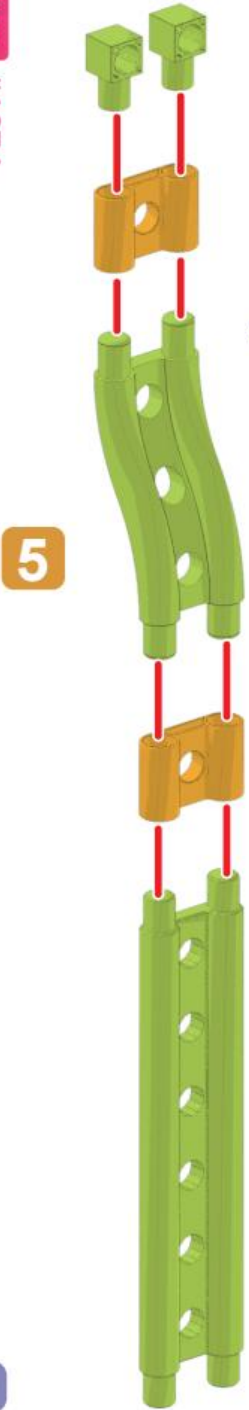
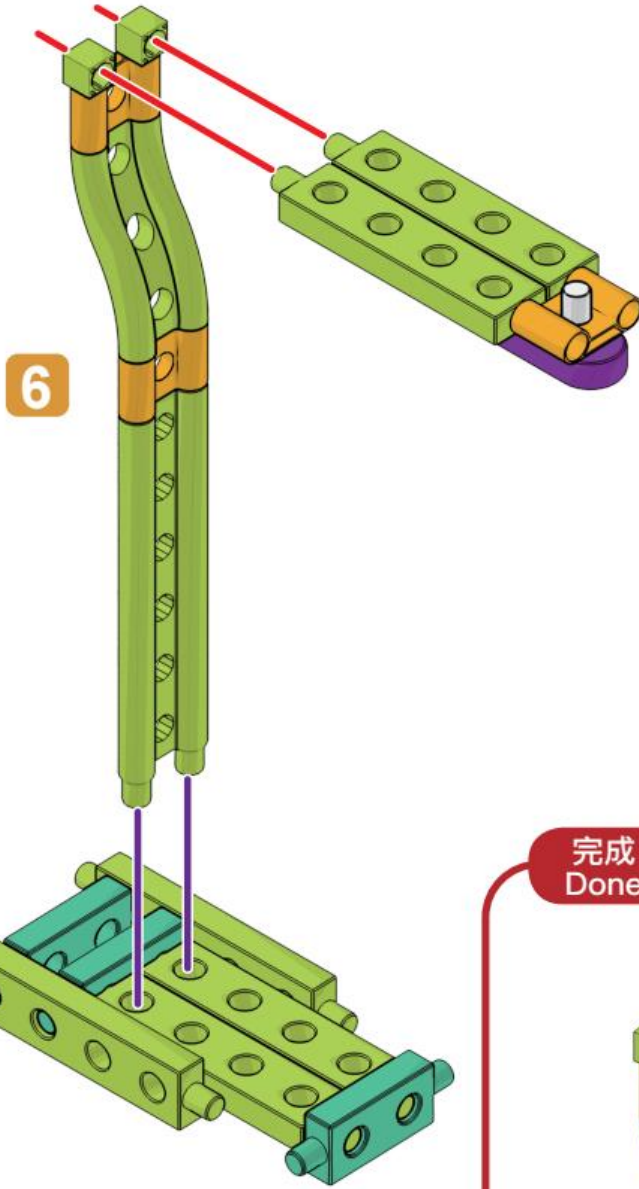
墊腳椅

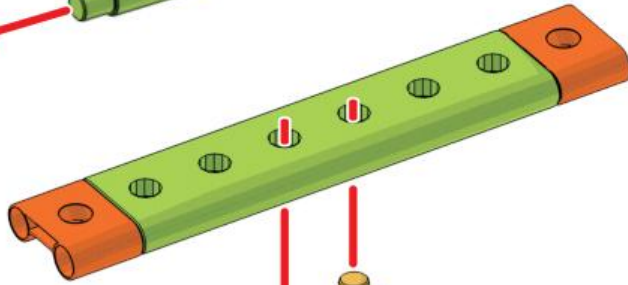
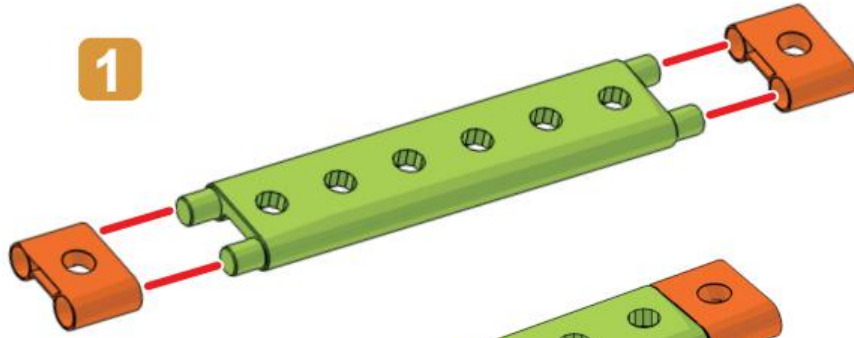
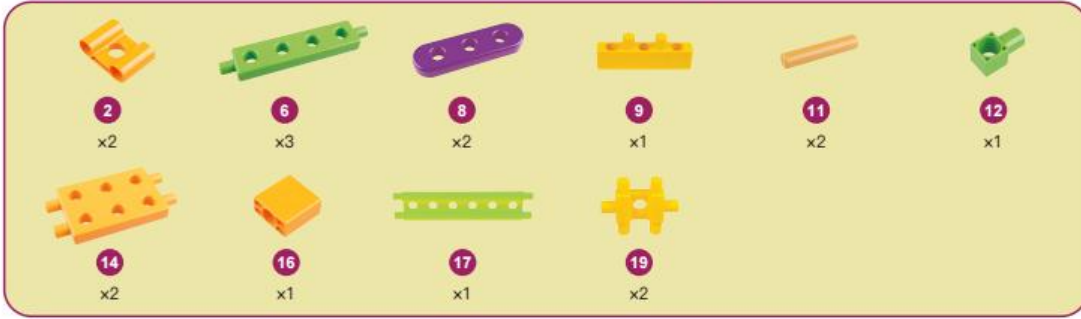
Padded Chair



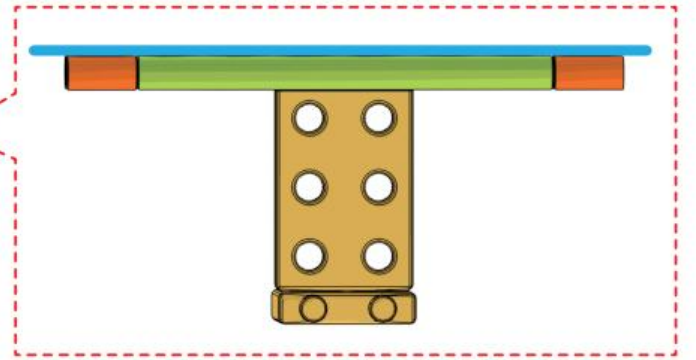
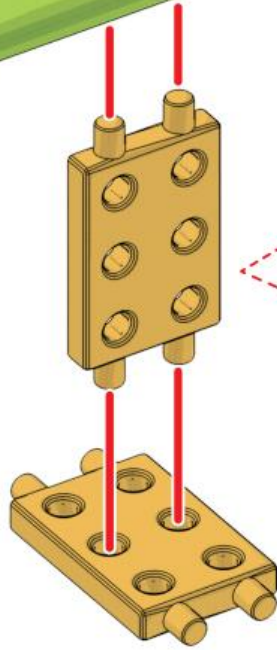
							
2	3	6	7	8	12	17	18
x3	x1	x6	x3	x1	x2	x1	x1



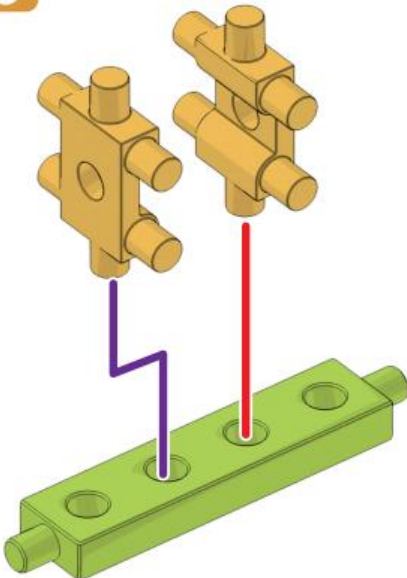




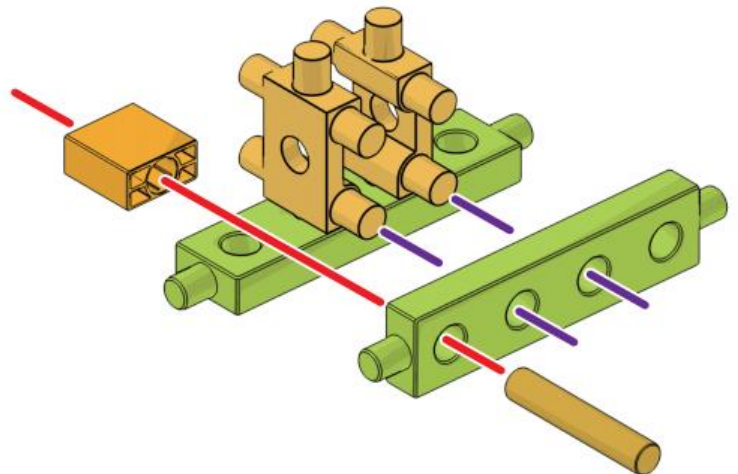
2



3



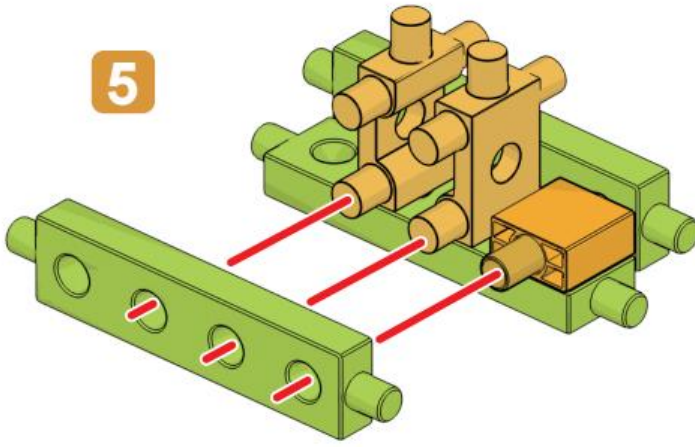
4



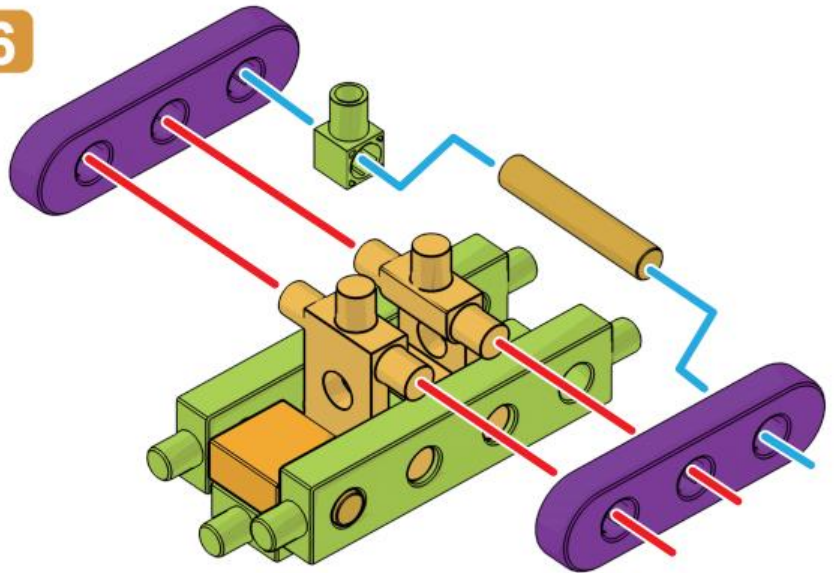
燙斗與熨燙板

Iron & Ironing-boards

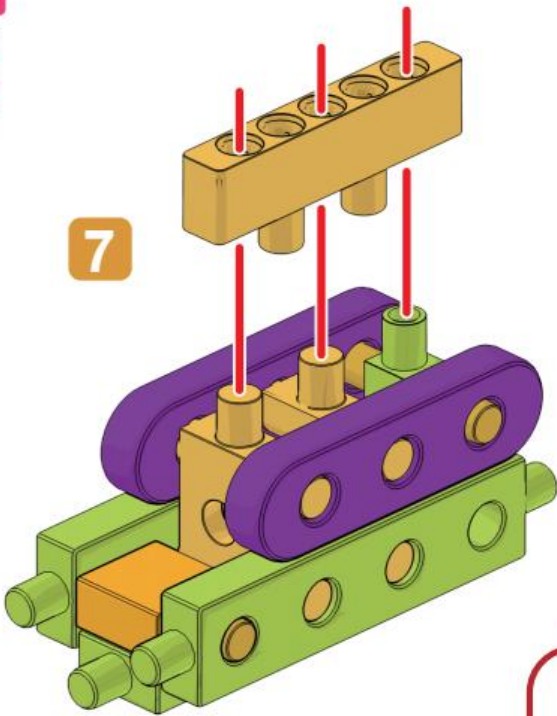
5



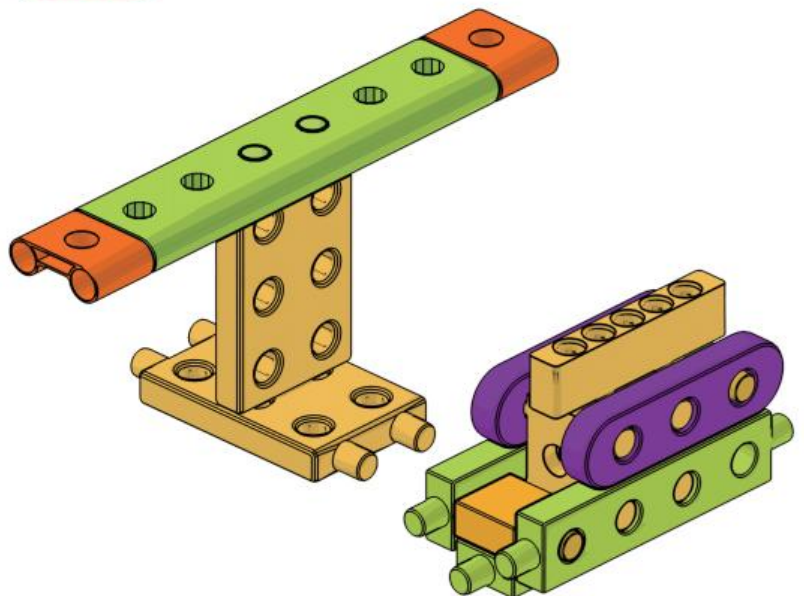
6

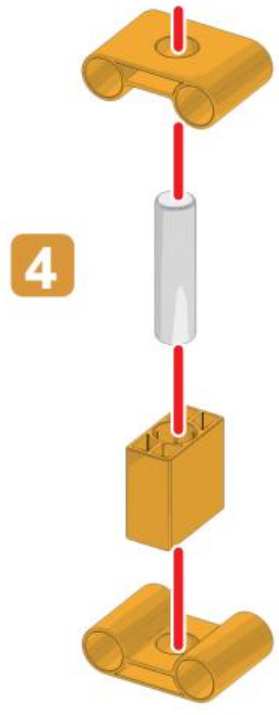
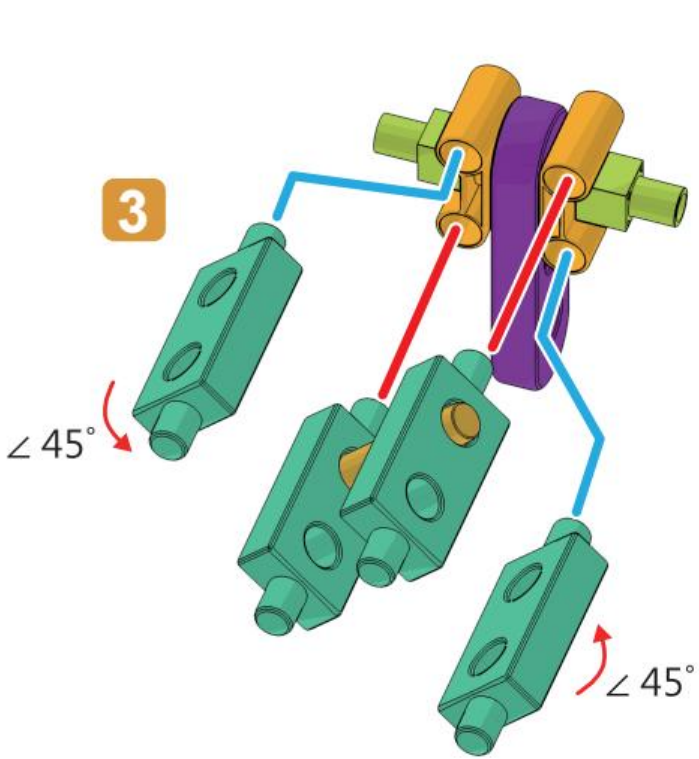
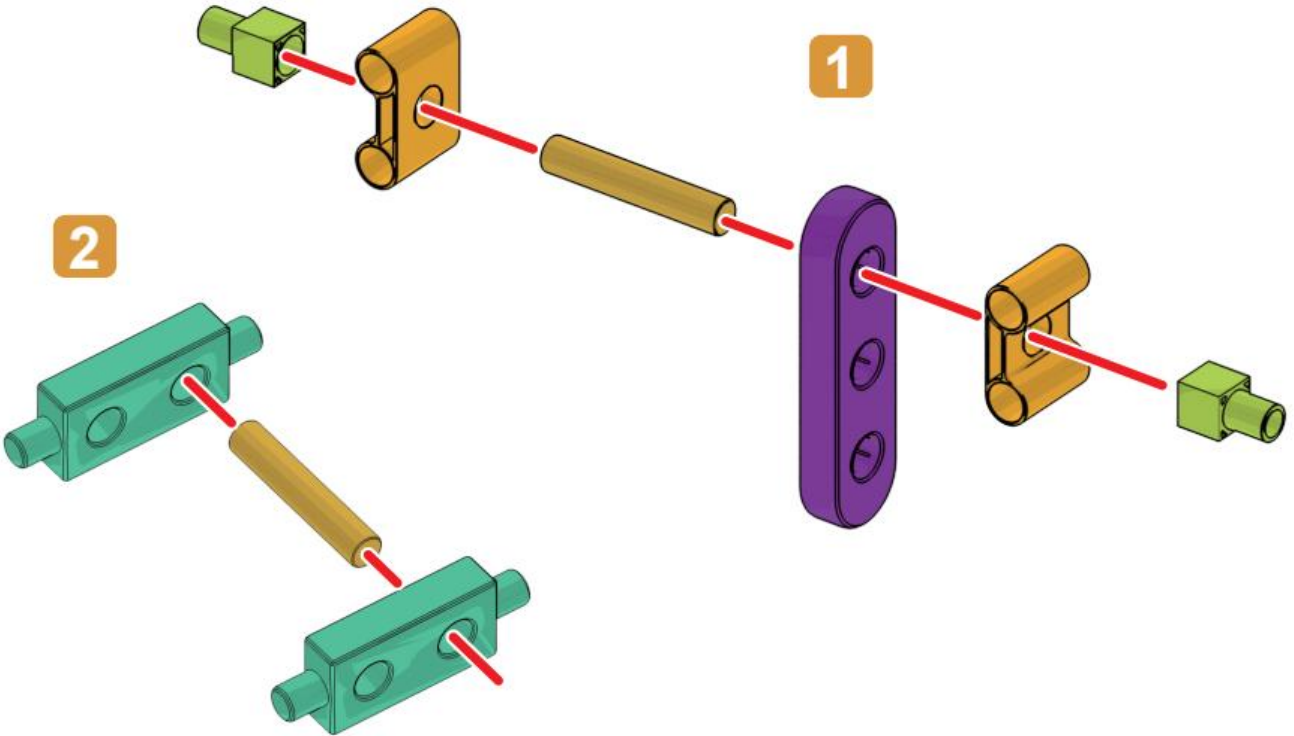
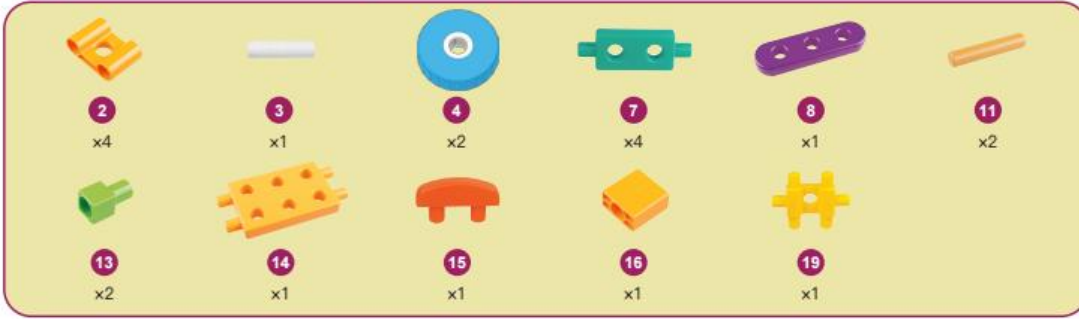


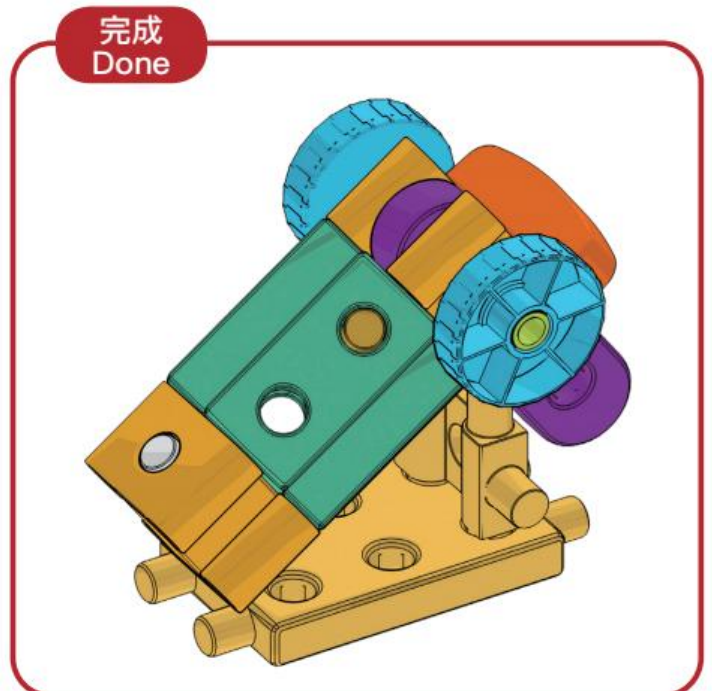
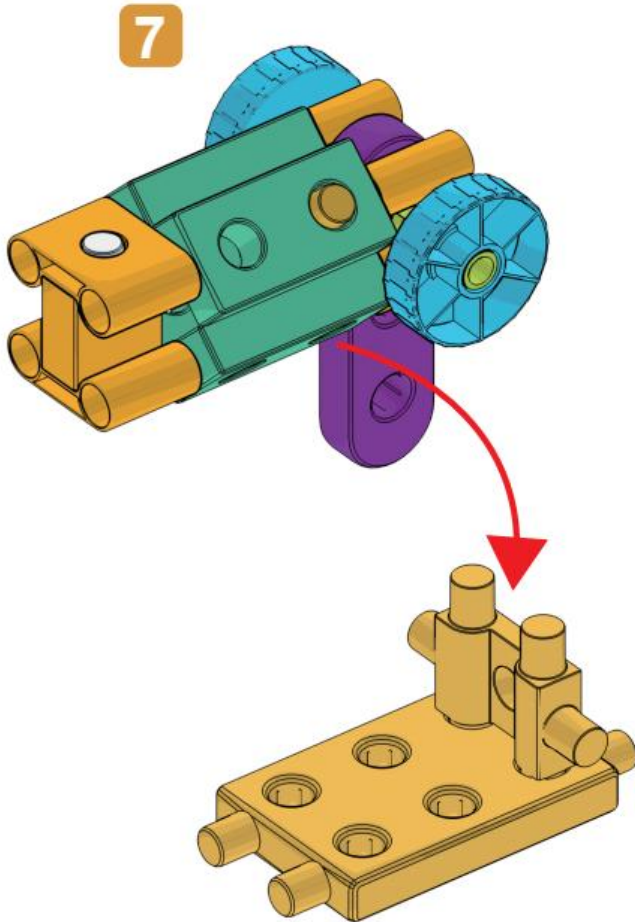
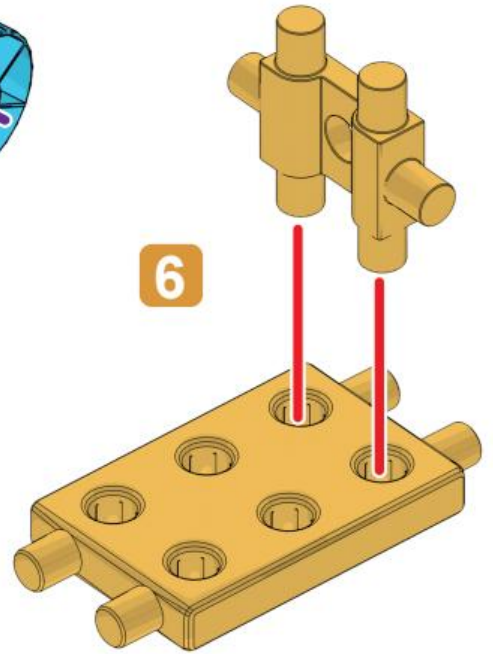
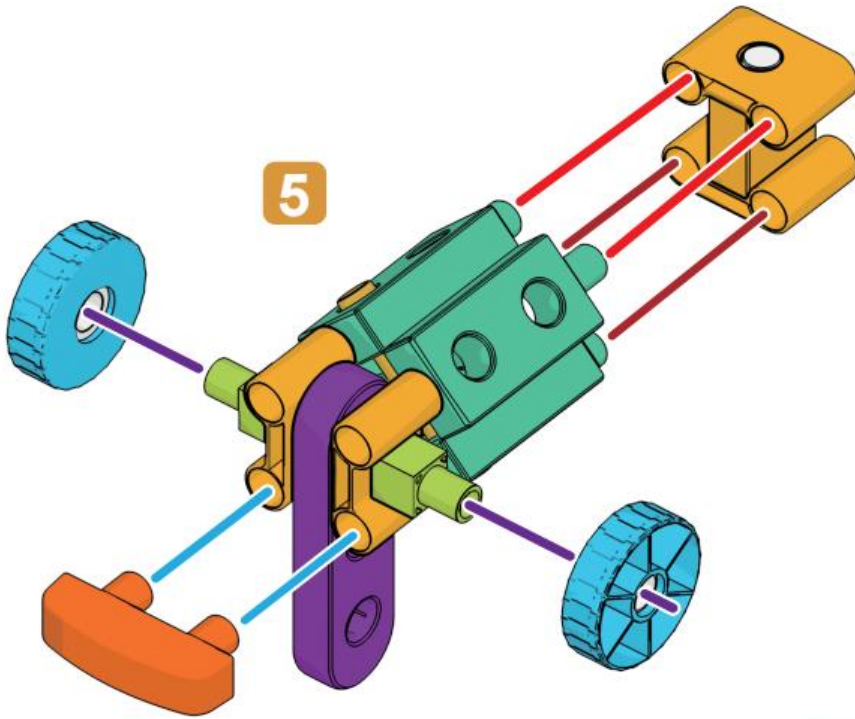
7



完成
Done

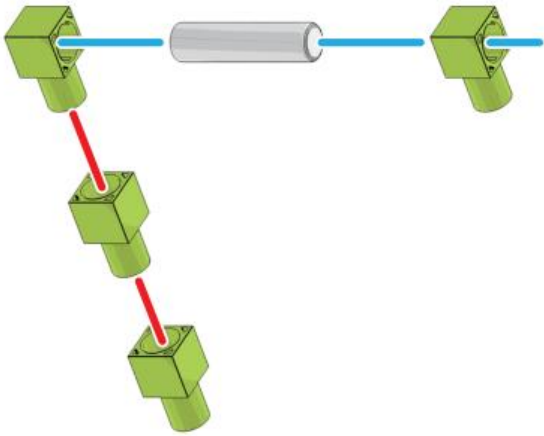




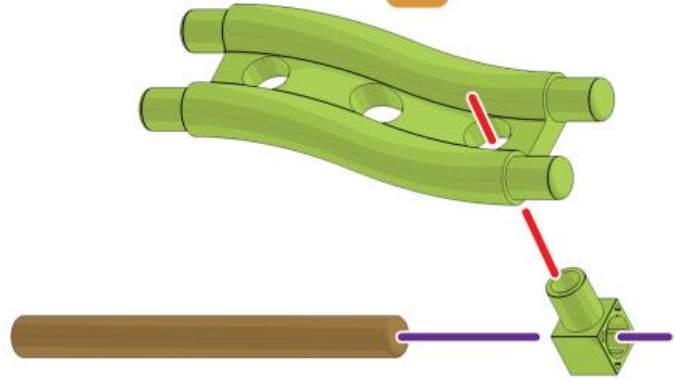




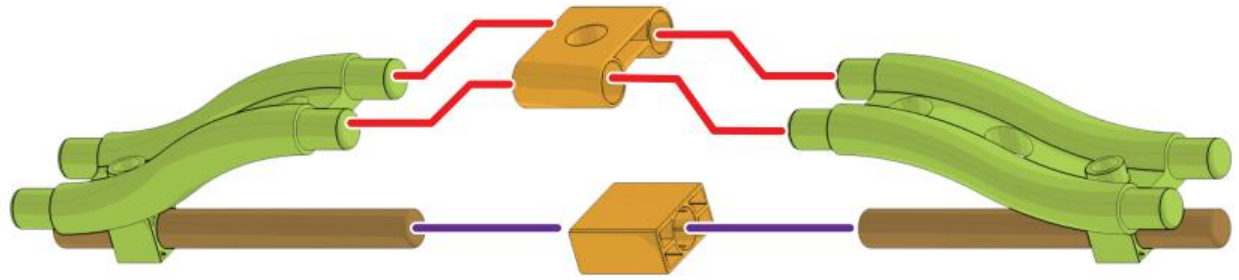
1



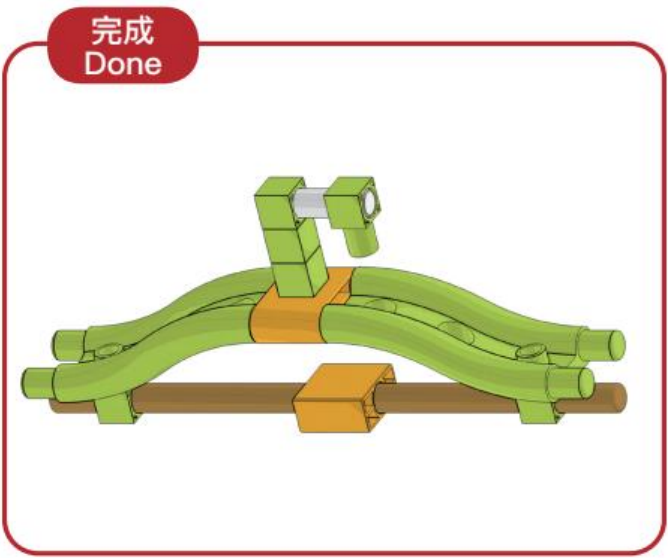
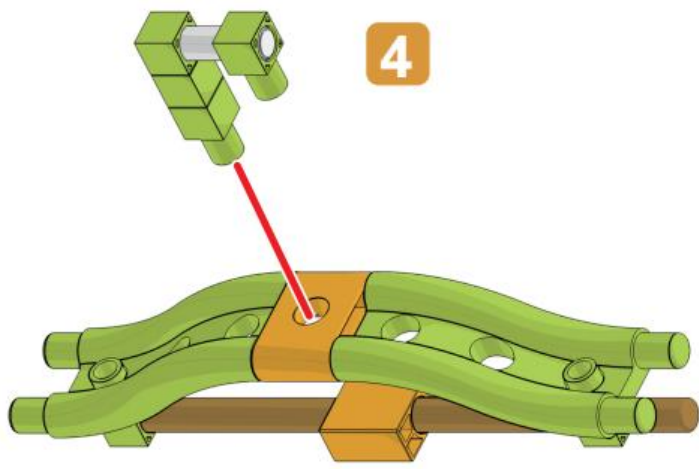
2 x2



3

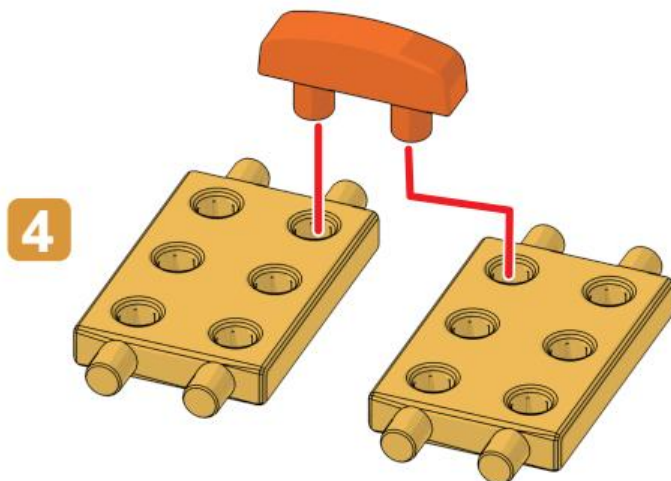
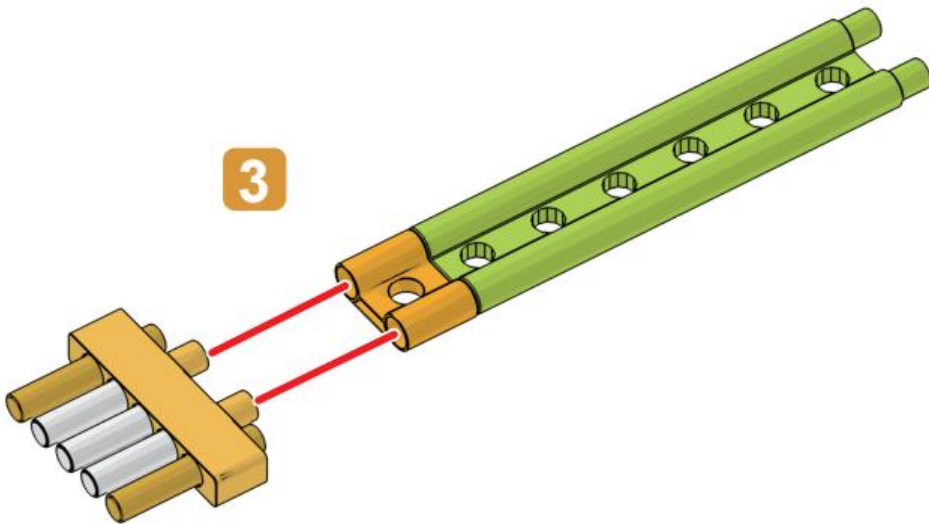
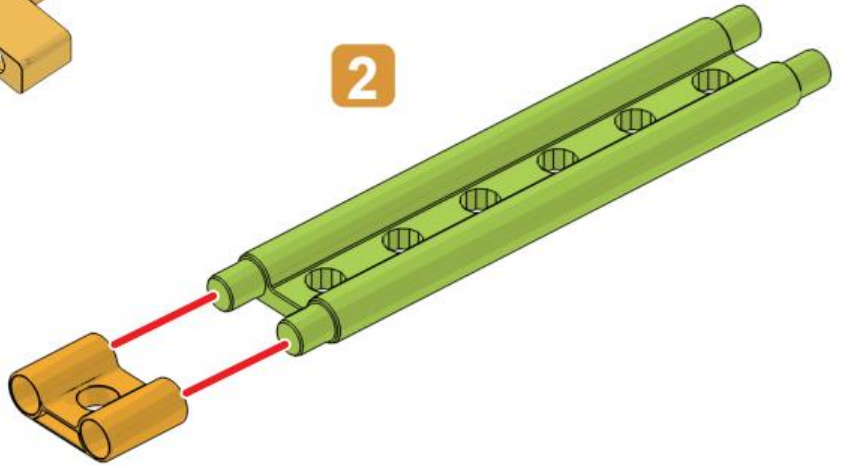
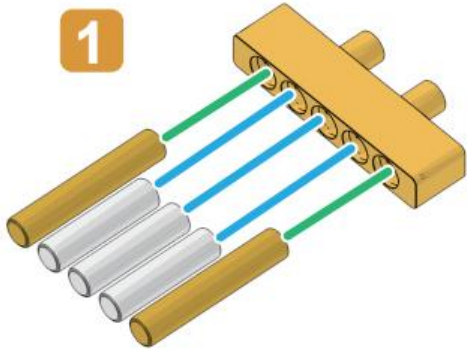
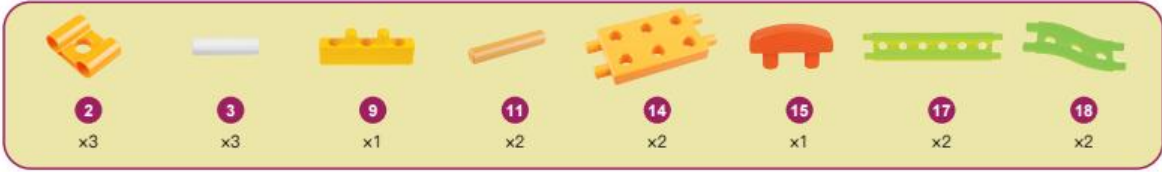


4

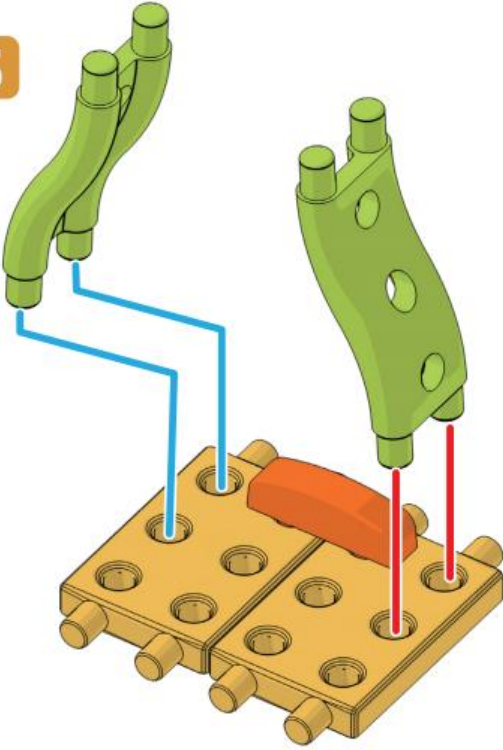


掃帚與畚箕

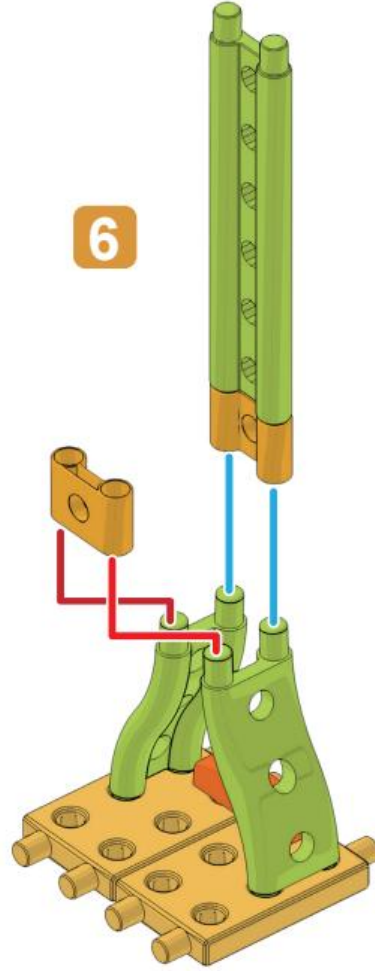
Broom & Dust Pan



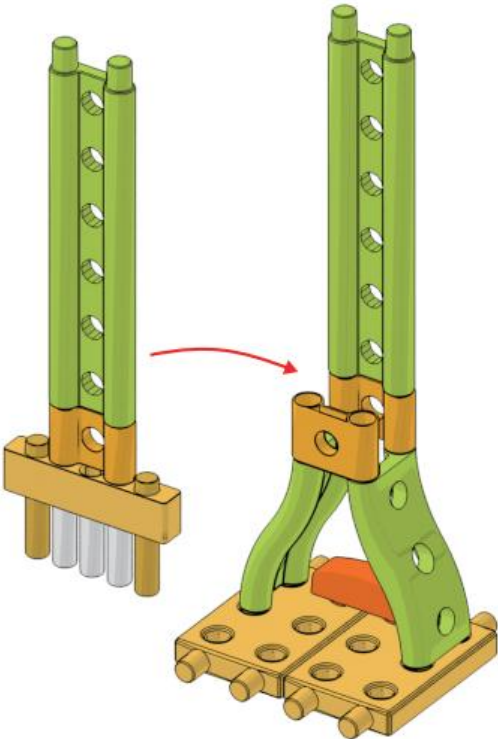
5



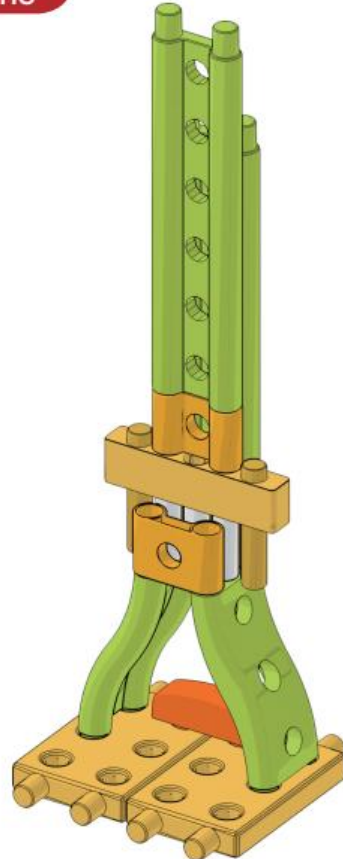
6

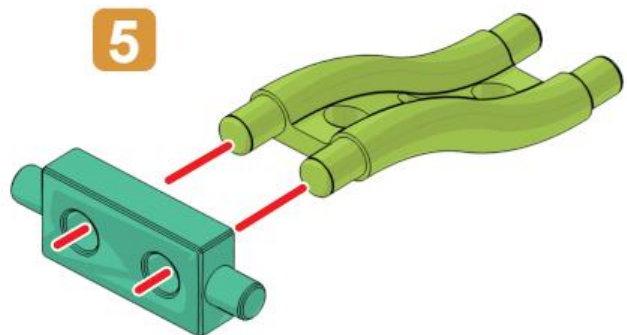
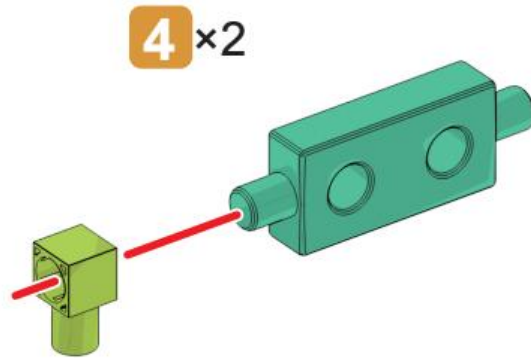
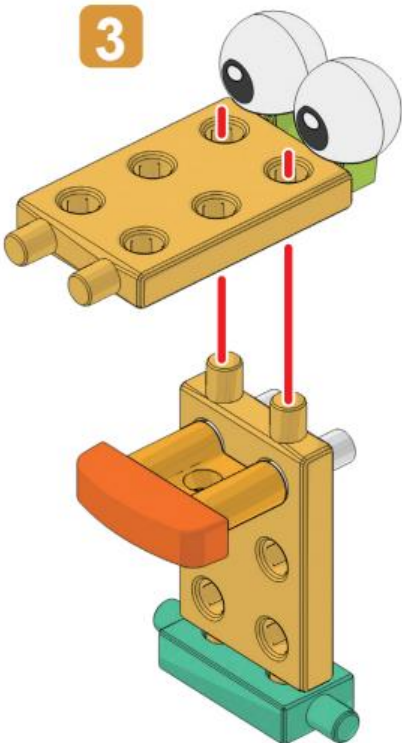
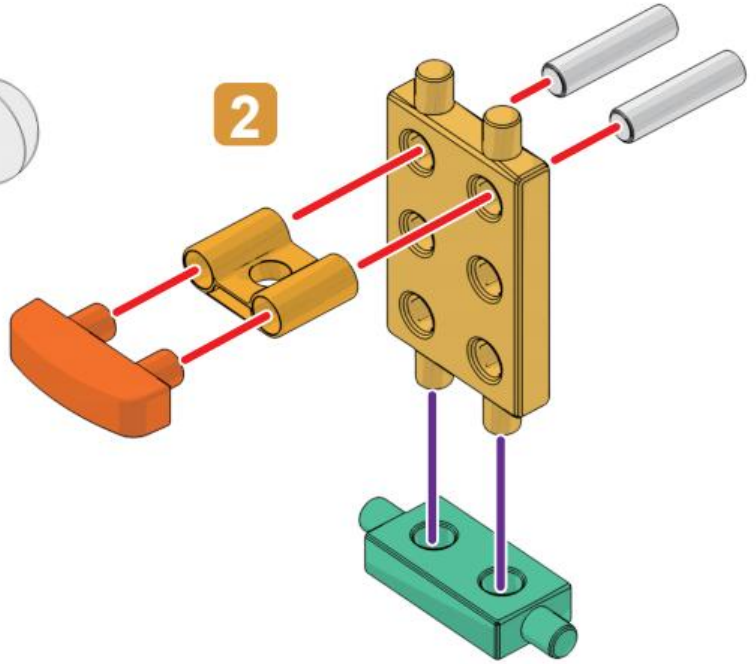
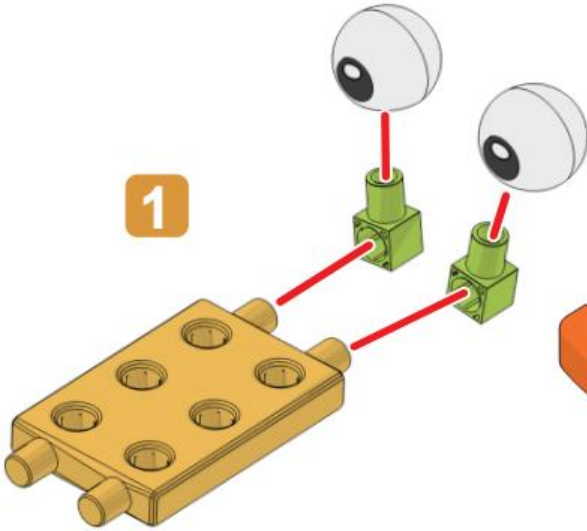
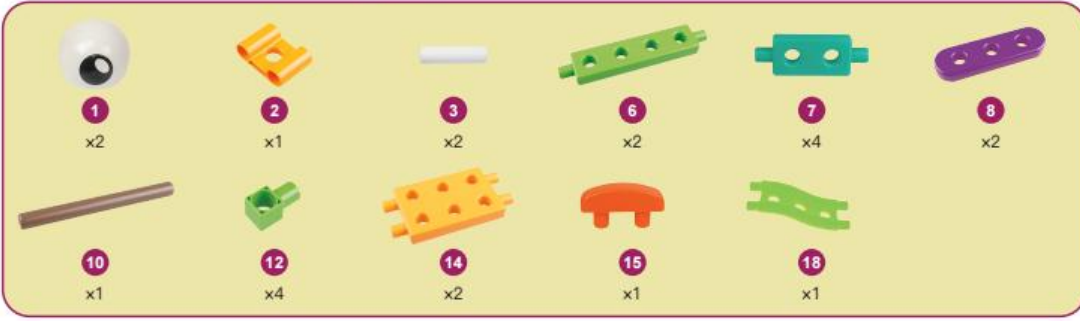


7

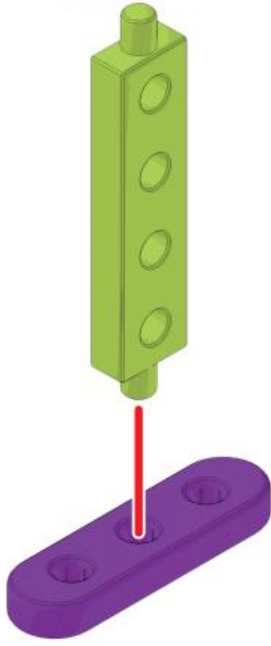


完成
Done

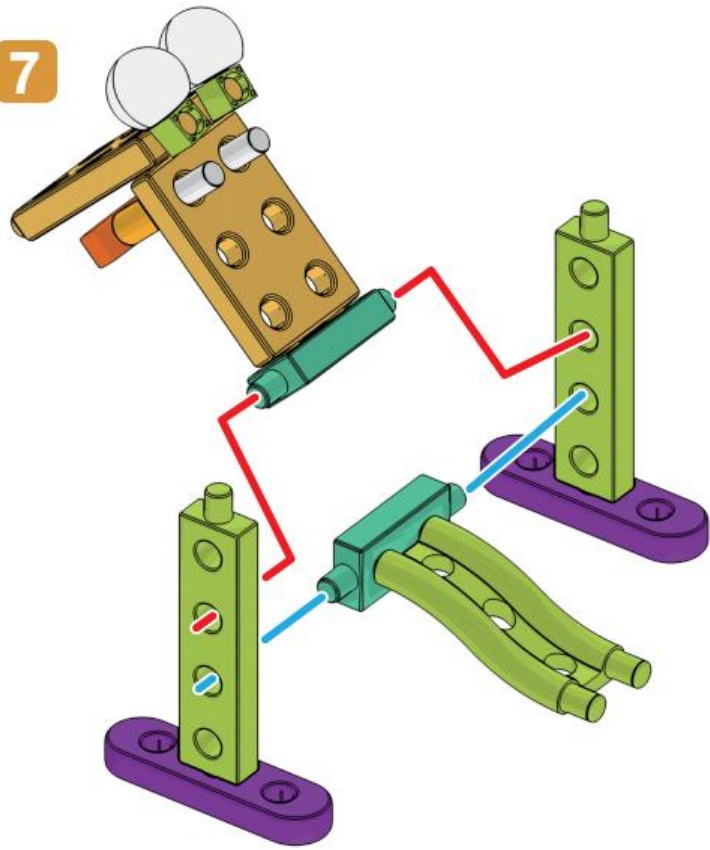




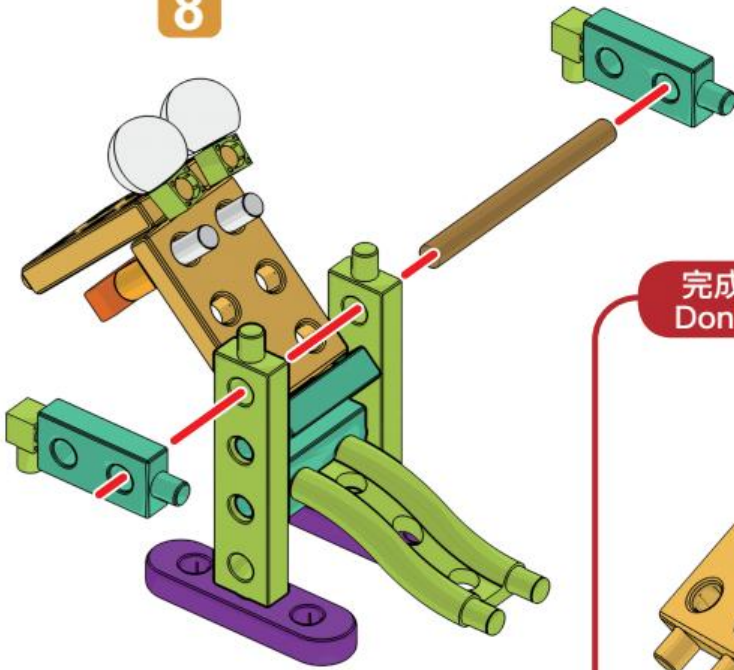
6 x 2



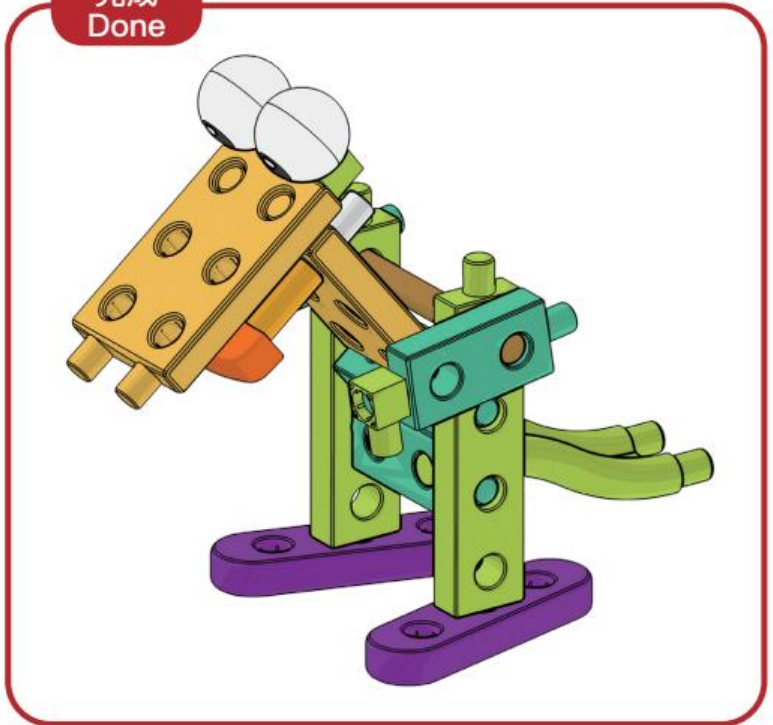
7



8

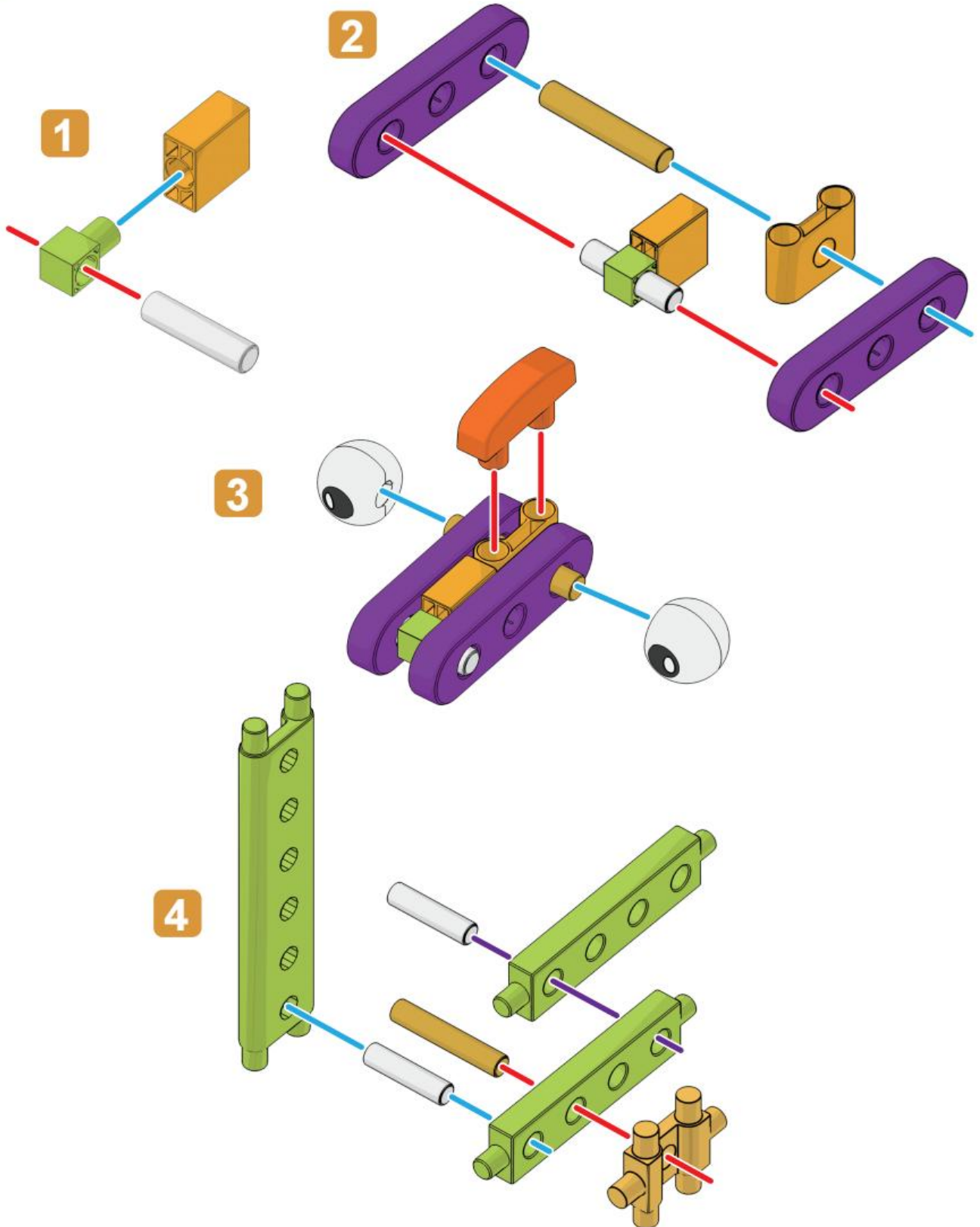
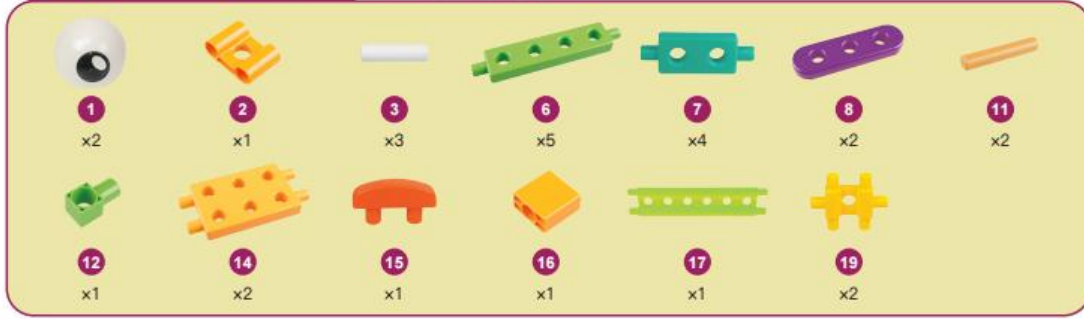


完成
Done

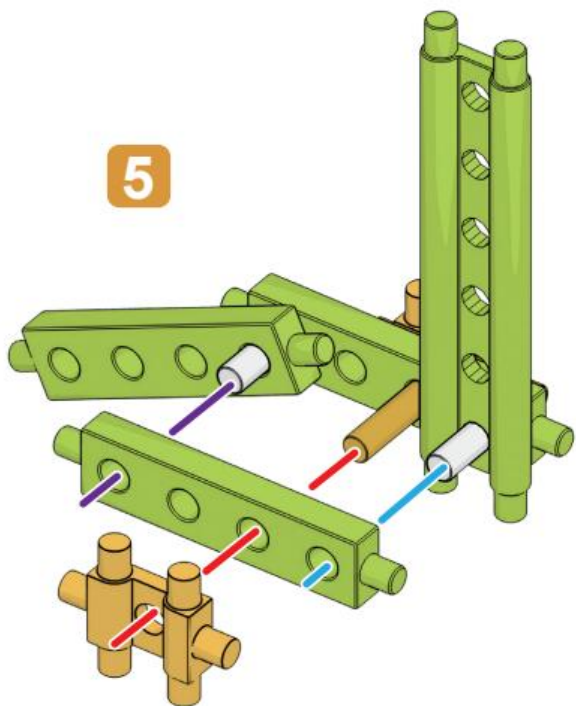


腕龍

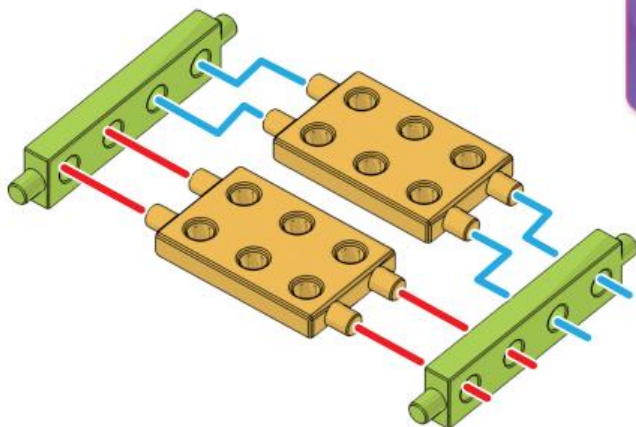
Brachiosaurus



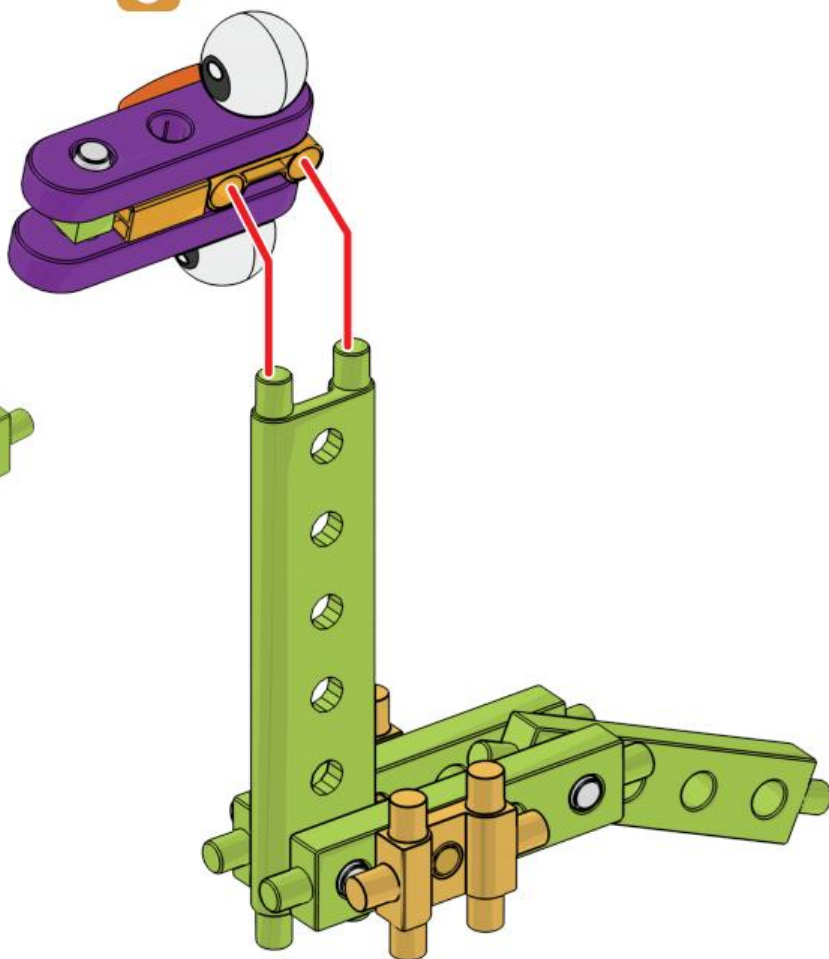
5



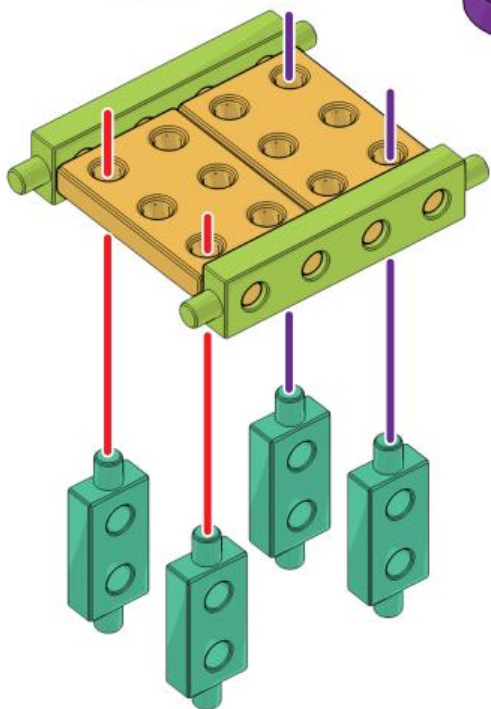
6



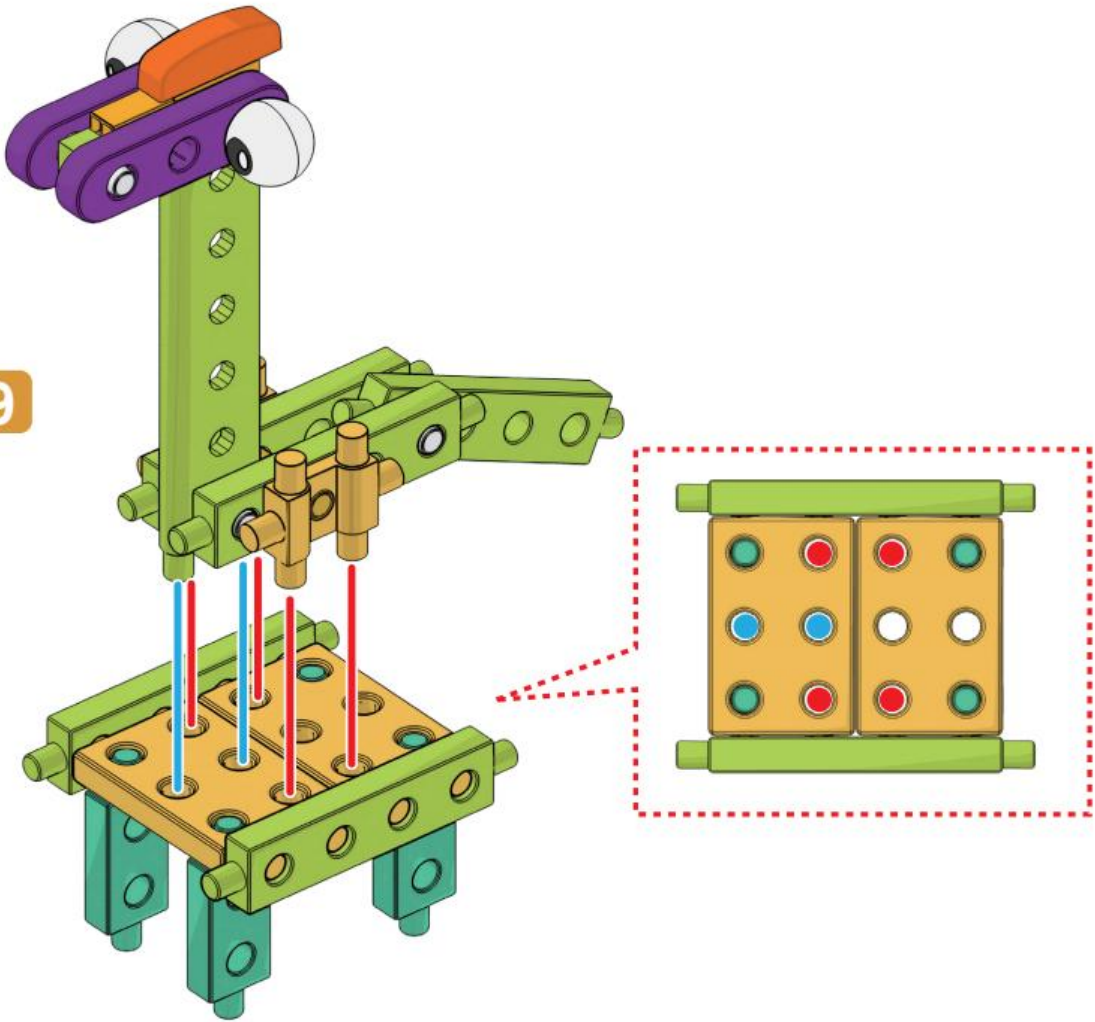
8



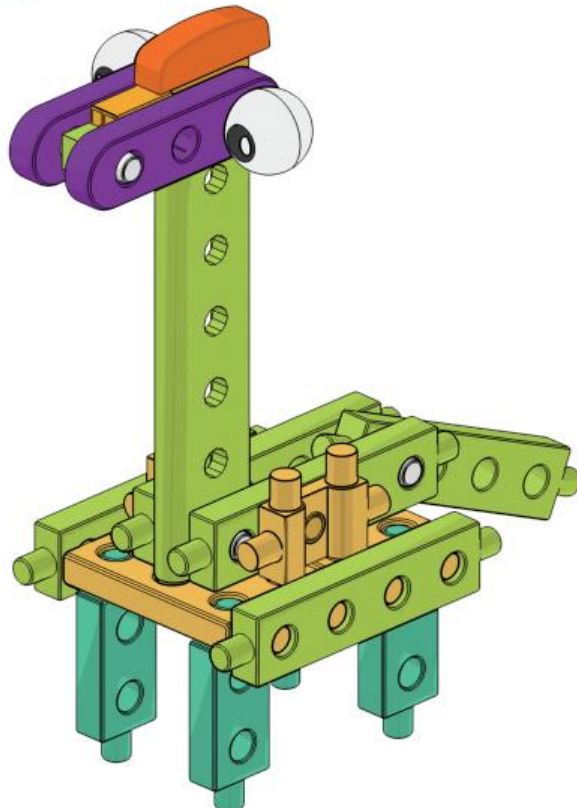
7

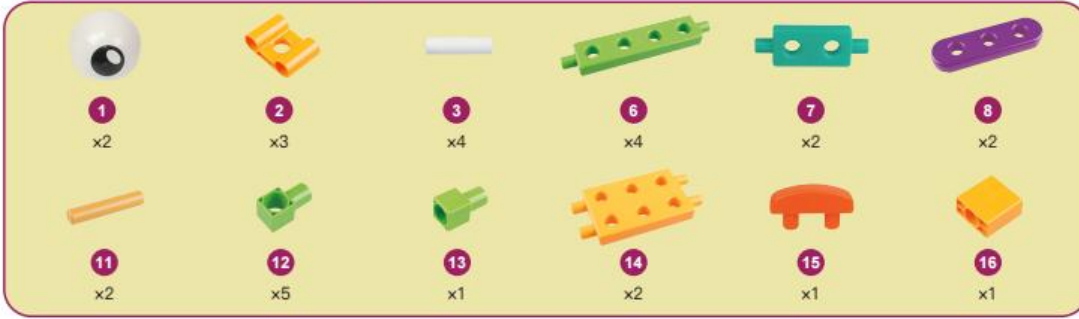


9

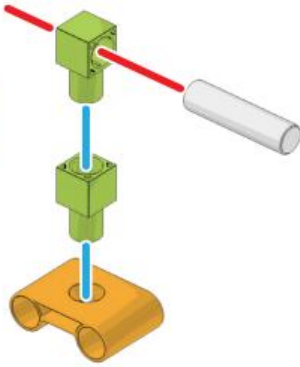


完成
Done

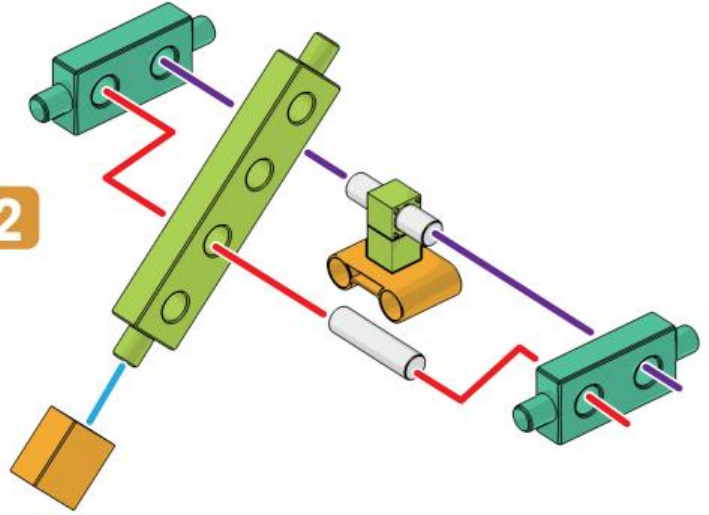




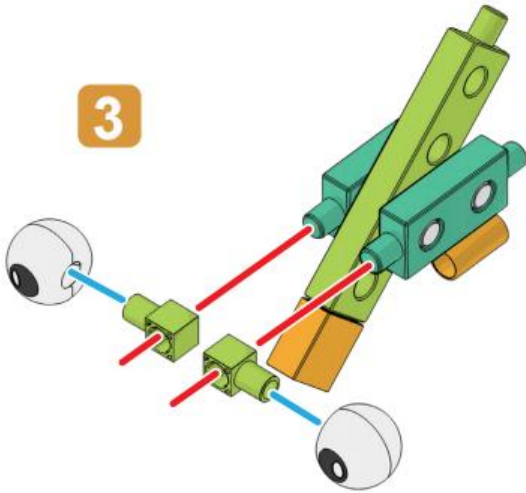
1



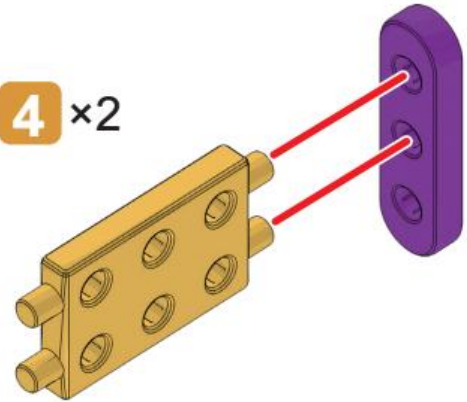
2



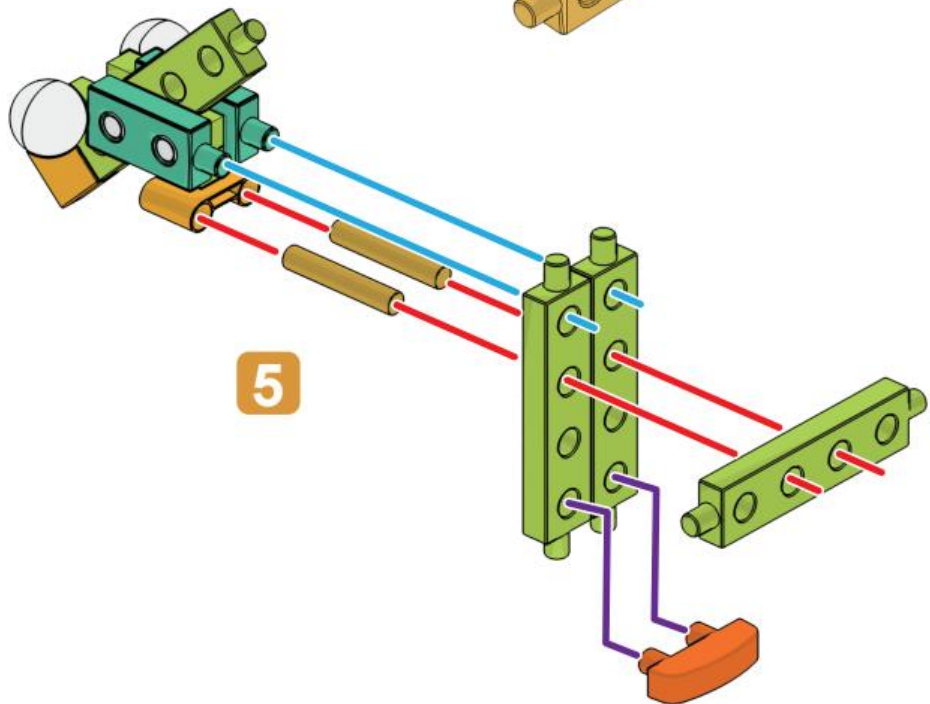
3



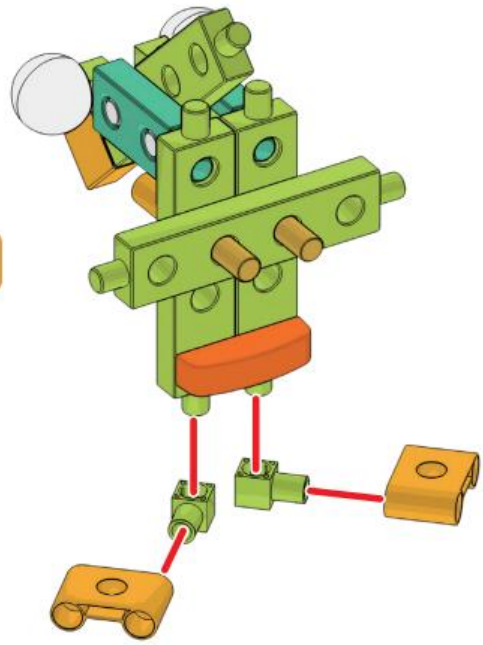
4 x2



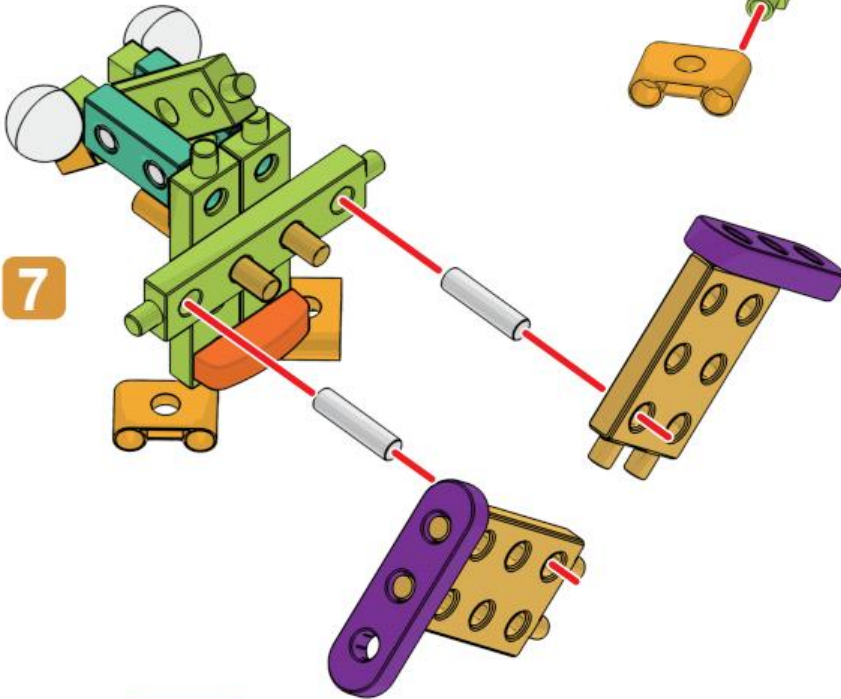
5



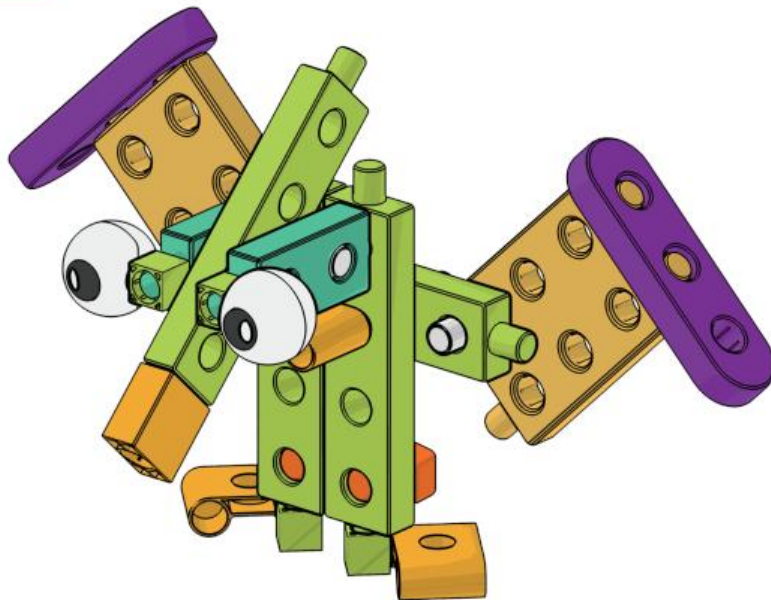
6

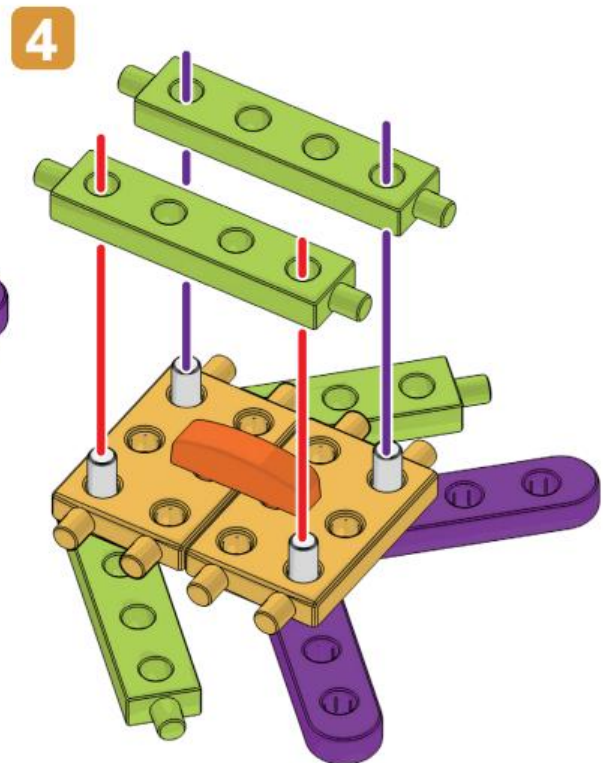
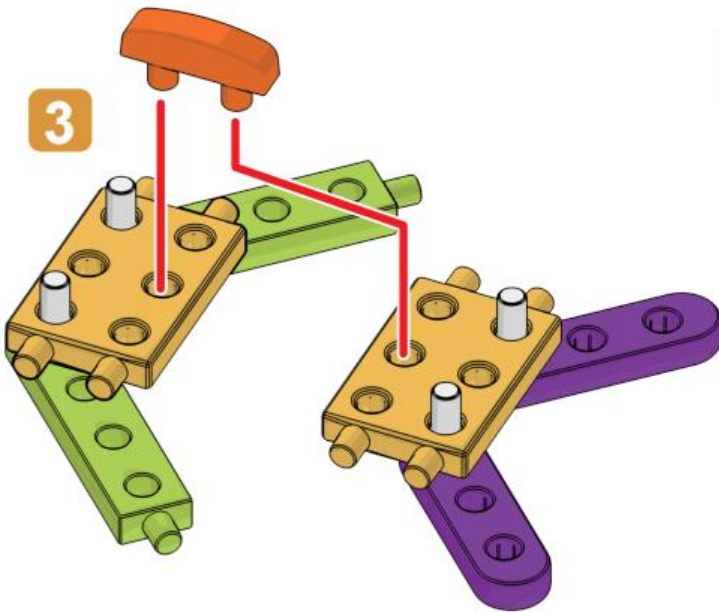
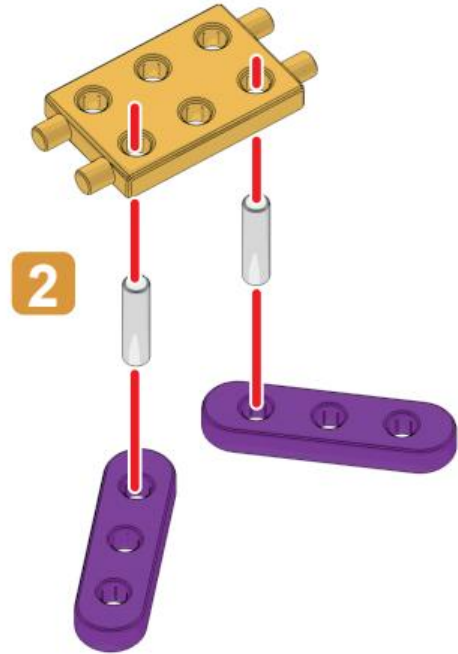
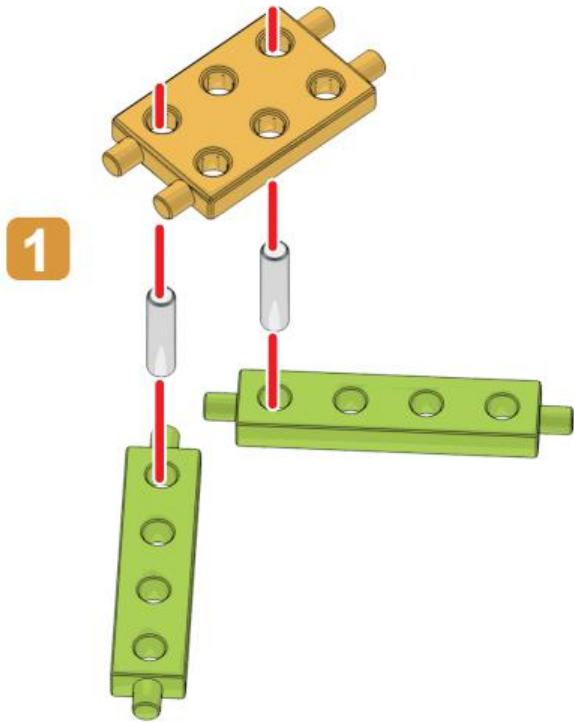
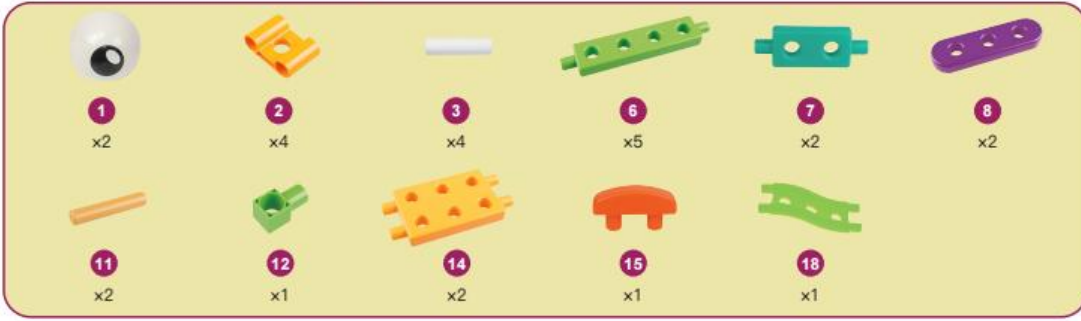


7

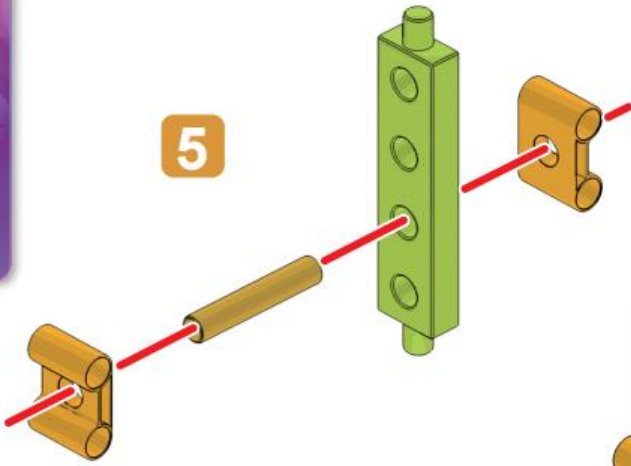


完成
Done

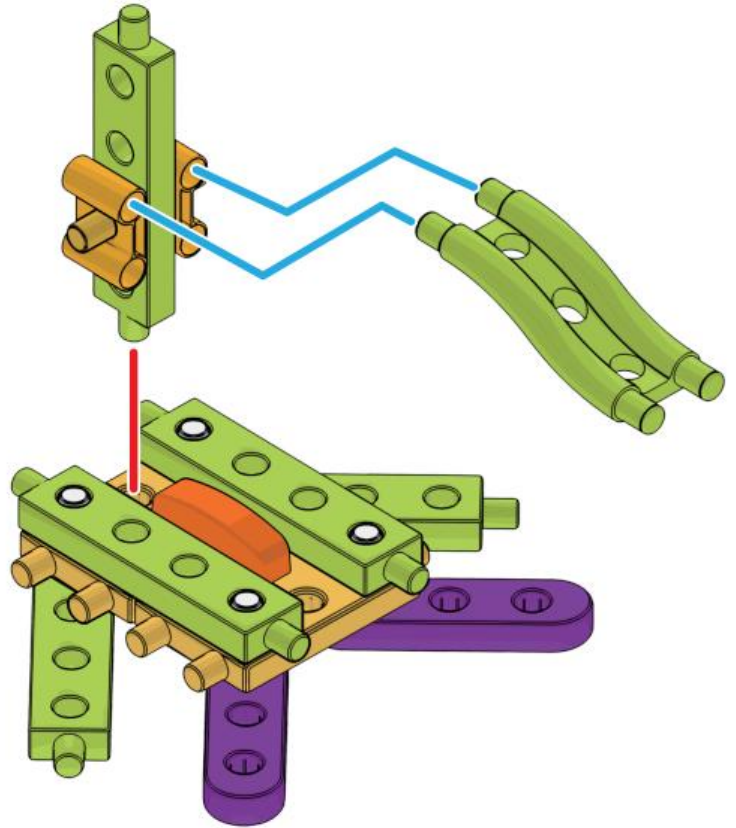




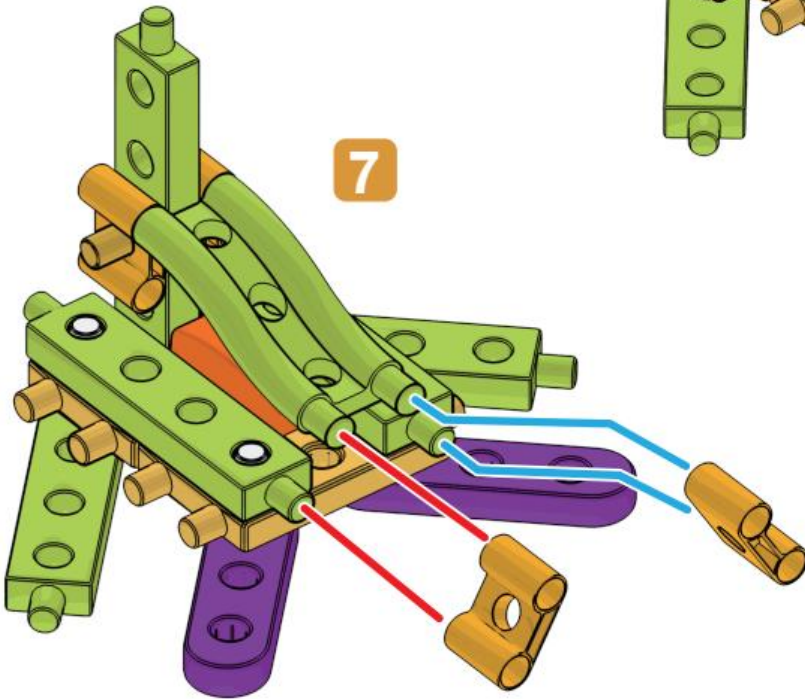
5



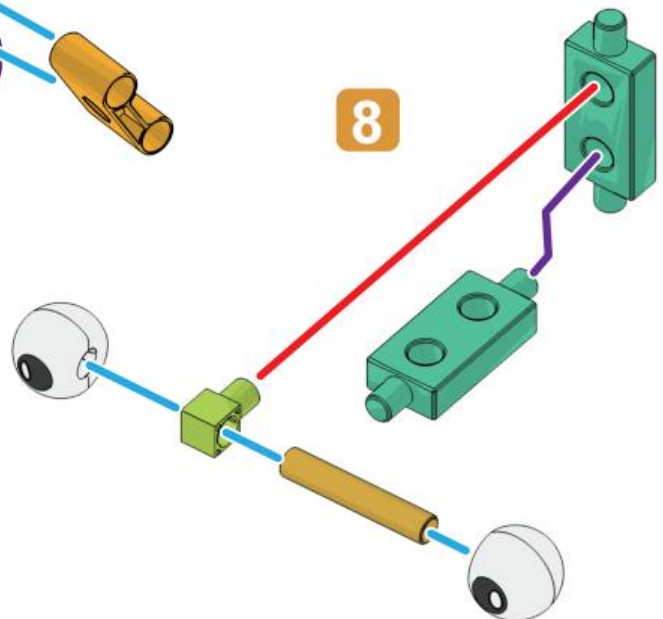
6



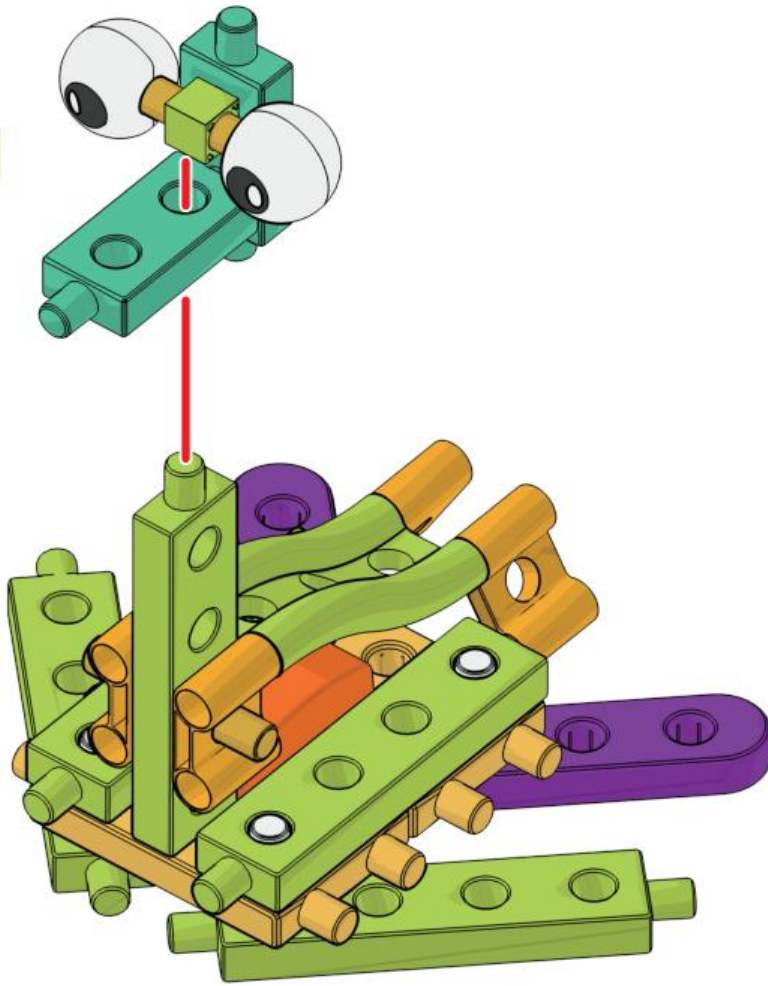
7



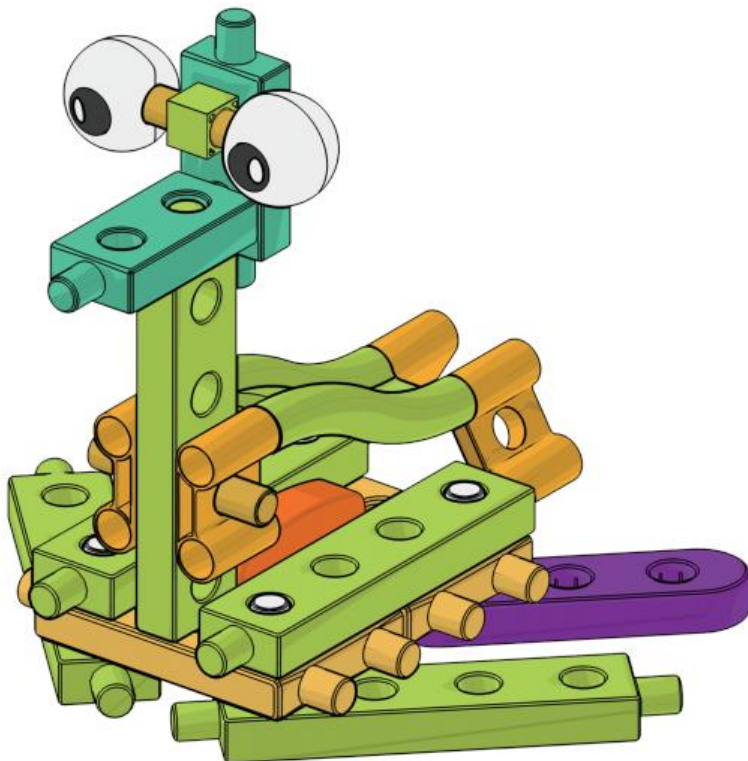
8

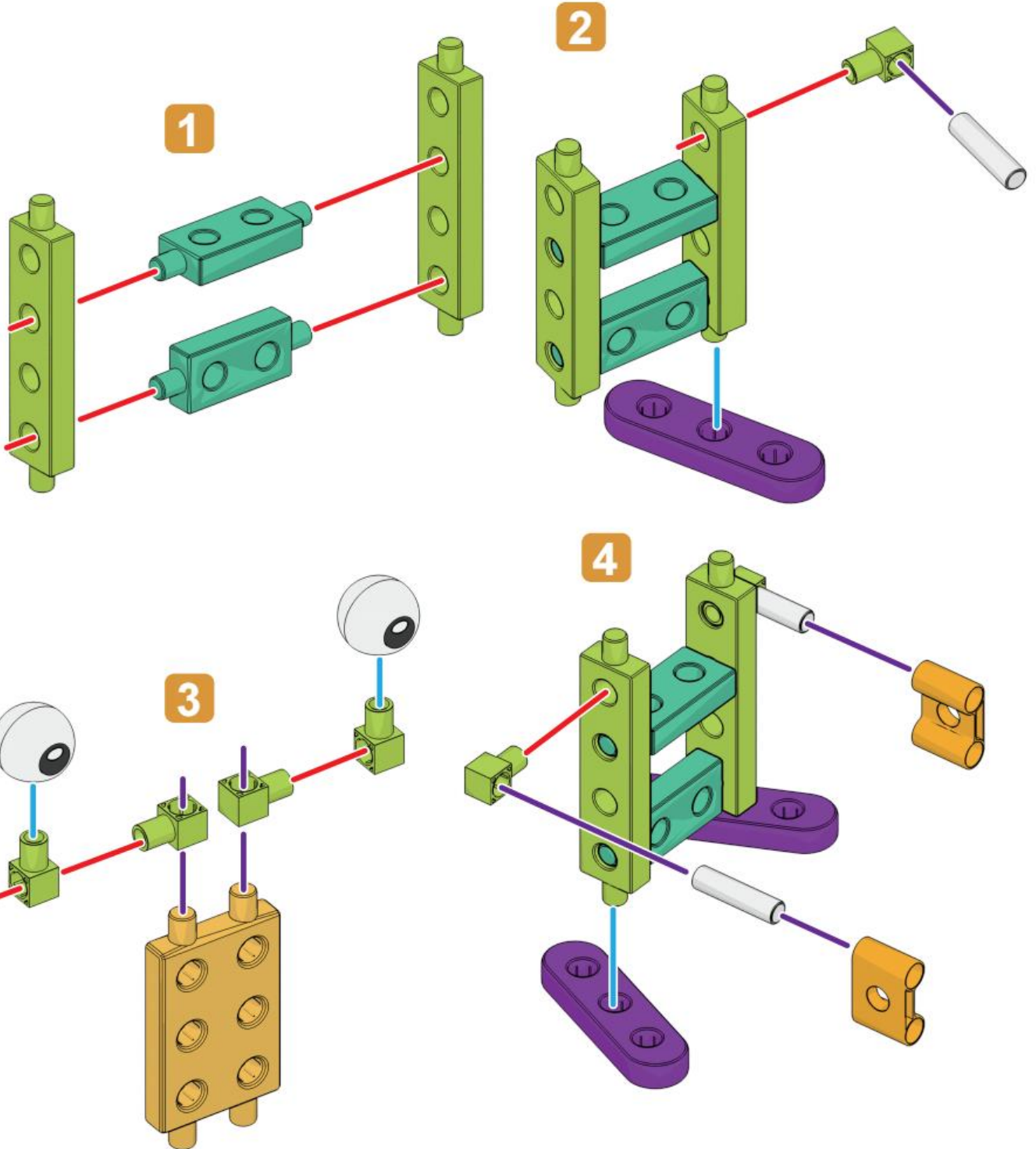
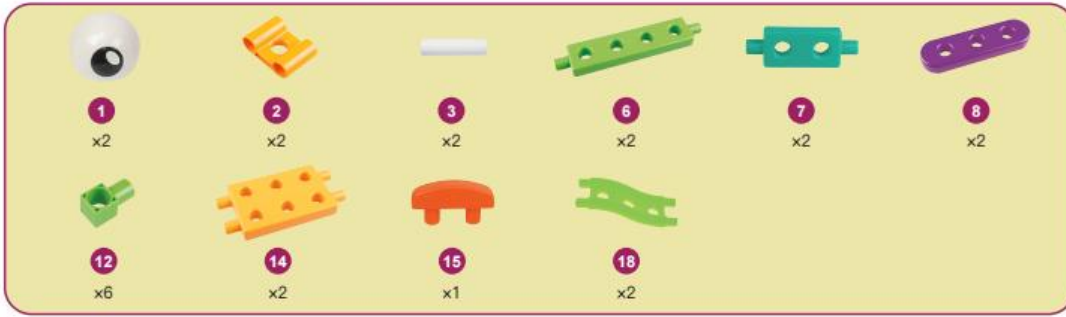


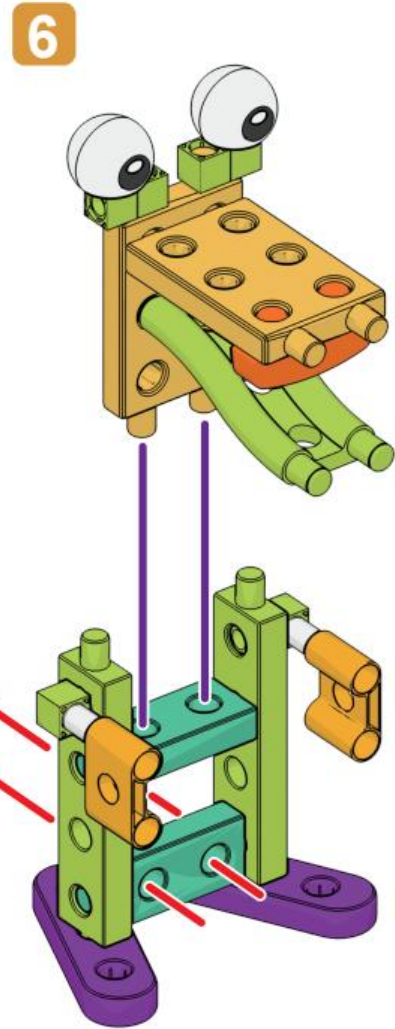
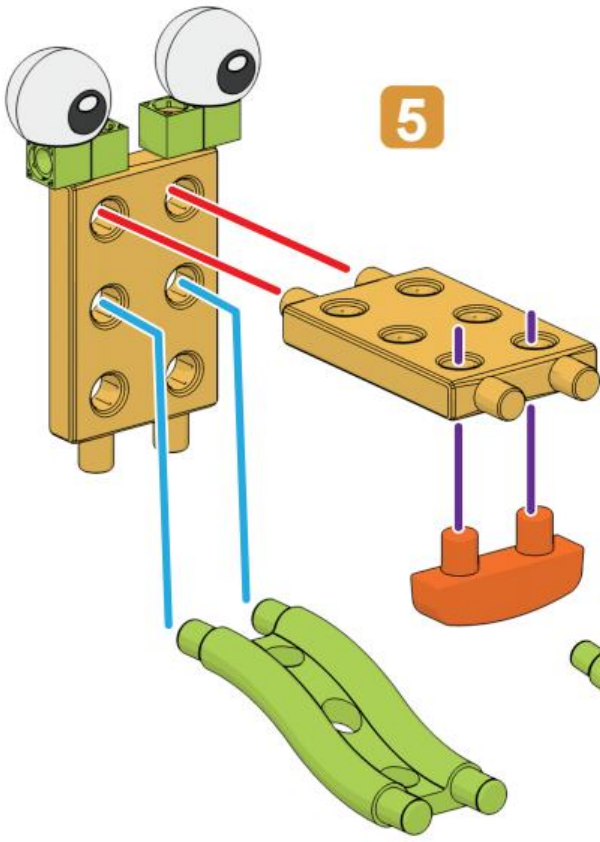
9



完成
Done







完成
Done



FUN LAB



#1260
創意積木組
CREATIVE CUBE



#1261
科學探索組
SCIENTIFIC TOUR



#1270
趣味機關組
FUN WITH MECHANISM



#1262
電學補充包
ELECTRICITY KIT



#1264
氣動補充包
PNEUMATICS KIT



#1265
風力補充包
WIND POWER KIT



#1266
水力補充包
HYDRAULICS KIT



#1267
太陽能補充包
SOLAR POWER KIT

GENIUS TOY TAIWAN CO., LTD.
www.gigotoys.com MADE IN TAIWAN  

© 2017 Genius Toy Taiwan Co., Ltd. All right reserved
R21#1274