



# 探索觀察組

## CREATIVE CREATURES

# FUN LAB



# 1273

58 PCS

3+

### 知識來自於經驗

KNOWLEDGE COMES FROM EXPERIENCE ALONE



# 20 MODELS TO BUILD



|                          |        |
|--------------------------|--------|
| 前言 /Introduction         | P2     |
| 零件表 /Parts List          | P3     |
| 課前準備 /Class Preparations | P4     |
| 平交道 /Level Crossing      | P5     |
| 汽車 /Car                  | P6     |
| 賽車 /Racing Car           | P7     |
| 潛水艇 /Submarine           | P8     |
| 挖土機 /Excavator           | P9~10  |
| 三輪車 /Tricycle            | P11~12 |
| 兔子 /Rabbit               | P13    |
| 小鹿 /Deer                 | P14~15 |
| 駝鳥 /Ostrich              | P16    |
| 蝸牛 /Snail                | P17    |
| 蝴蝶 /Butterfly            | P18    |
| 蟬 /Cicada                | P19~20 |
| 獨角仙 /Unicorn Beetle      | P21~22 |
| 鱷魚 /Crocodile            | P23~24 |
| 食蟻獸 /Anteater            | P25~26 |
| 孔雀 /Peacock              | P27~28 |
| 手提籃 /Hand Basket         | P29    |
| 檯燈 /Table Lamp           | P30    |
| 椅子 /Chair                | P31~32 |
| 購物車 /Shopping Cart       | P33~34 |

各位小朋友，歡迎你加入 Gigo 智高的 FUN LAB 積木實驗室。

在 FUN LAB 積木實驗室中有許多的智高積木，這些形色多樣的積木，它們能重複使用，做出千萬種變化，同時還能省時省力，是我們接下來要進行一連串有趣好玩實驗的最佳幫手哦！在我們親手組裝及操作積木的過程中，不僅能夠體會組裝創作的樂趣，還能夠學習到許多知識，例如：色彩搭配的美學、簡單的機械原理、綠色能源的應用、科技積木的體驗、創意的機關製作...等。而且，我們還可以和好朋友團隊合作，加入自己的想法，激發創意，打造出獨一無二的積木模型。跟隨我們在這座實驗室裡一步一步地探索，快樂地學習各種知識，除了能培養我們正確的學習態度及解決問題的能力，更能將這些知識活用於日常生活，進而學習創新的技巧與能力。

看到這裡，相信各位小朋友都已經迫不及待了，那麼，就讓我們一起進入充滿樂趣的 FUN LAB 積木實驗室吧！

Welcome to join the Gigo's FUN LAB of the building blocks.

There are a variety of blocks in FUN LAB which have diverse types of forms repeatedly used to make tens of millions of changes. Therefore, those variations can enable us to conduct a series of fun and interesting experiments! During the process of the assembly, not only can you experience the fun of assembling creation, but also you are capable of gaining lots of knowledge, such as : color-matching aesthetic, simple mechanical principles, the application of green energy, making creative models ... and so on. Moreover, you also can collaborate with friends as a team, incorporate your own ideas and develop creativity to create your own unique model. Follow us step by step to explore in this lab, and you will be happy to learn all aspects of knowledge. In addition to your ability to cultivate the positive attitude towards learning and problem-solving skills, more knowledge will be used in your daily life, and then you can acquire the innovative skills and abilities.

Now, I am sure you cannot wait. Let's get into the world of the Fun Lab!  
Let's go!

1



A-單孔固定軌道  
A-1 HOLE TRACK  
x 2

2



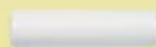
A-軌道結合器  
A-TRACK CONNECTOR  
x 4

3



A-單孔單向軌道 -綠  
A-TRACK END-GREEN  
x 4

4



A-60mm圓棒  
A-60mm CONNECTOR  
x 4

5



A-OD70x20mm塑膠輪  
A-OD70 WHEEL  
x 2

6



A-OD50x20mm塑膠輪  
A-OD50 WHEEL  
x 2

7



A-4孔長條  
A-4 HOLE ROD  
x 4

8



A-5孔圓長條  
A-5 HOLE ROUND ROD  
x 2

9



A-3孔圓長條  
A-3 HOLE ROUND ROD  
x 2

10



A-半圓球體  
A-HEMISPHERE  
x 1

11



A-160mm圓棒  
A-160mm CONNECTOR  
x 2

12



A-80mm圓棒  
A-80mm CONNECTOR  
x 4

13



A-90度結合器  
A-LATERAL PEG  
x 6

14



A-直線結合器  
A-FRONT PEG  
x 4

15



A-2x3孔長方框  
A-3X2 HOLE BASE  
x 2

16



A-2孔長條  
A-2 HOLE ROD  
x 3

17



A-單孔結合器  
A-ROD CONNECTOR  
x 4

18



A-1/8弧軌道結合器  
A-CURVED TRACK  
CONNECTOR  
x 2

19



A-活動眼球  
A-EYE  
x 2

20



A-3x4孔長方框  
A-3X4 FRAME  
x 1

21



A-4孔1/4弧長條  
A-4 HOLE BENDED ROD  
x 1

# 課前準備 *Class preparations*

## 轉接器拆解技巧

*Peg dismantling tips*

### 90度轉接器

*Lateral peg*



### 直線轉接器

*Front peg*



### 軌道的方向

*The direction of the track*



組裝時請注意正反面

*Note the front and the back while assembling.*

### 眼睛

*Eye*



眼珠可調整角度

*Eye can be adjusted at any angle.*

### 圓棒

*Connector*



轉動圓棒，較容易組裝進去

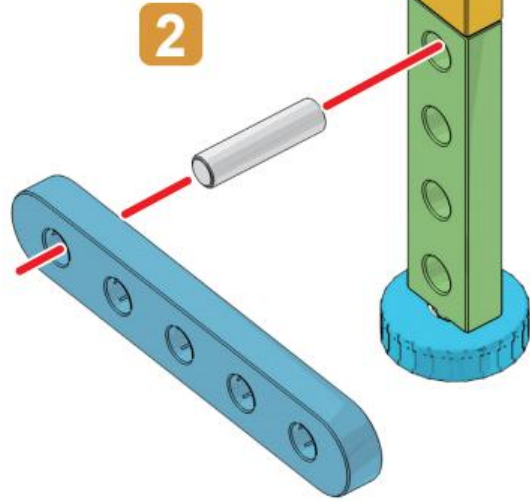
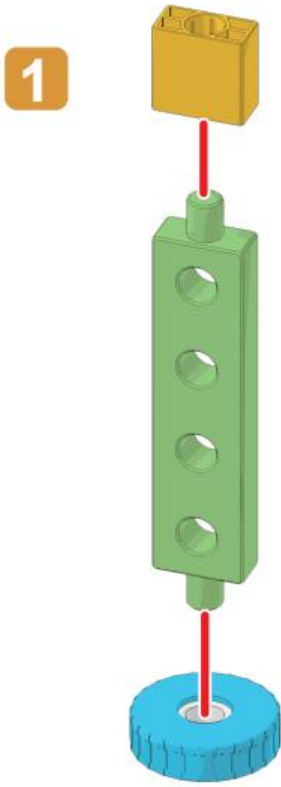
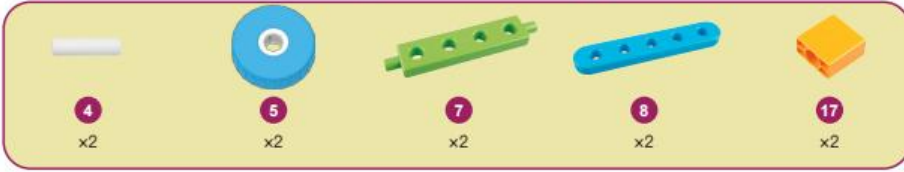
*Turn the connector around to make assembling easier.*

輕敲桌面，較易於拆裝

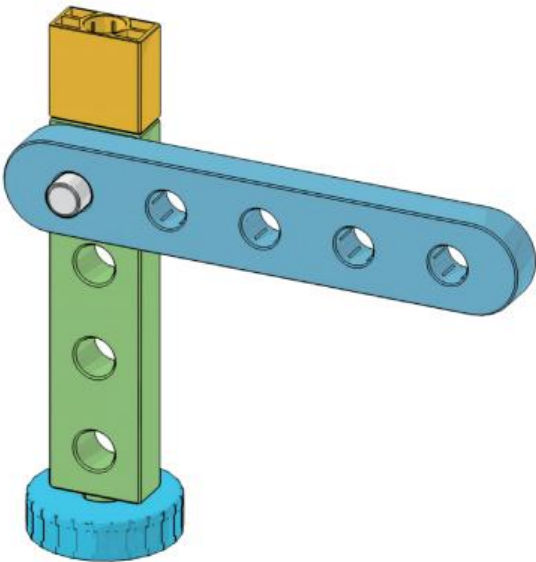
*Tap the connector on the desktop to make disassembling easier.*

## 平交道

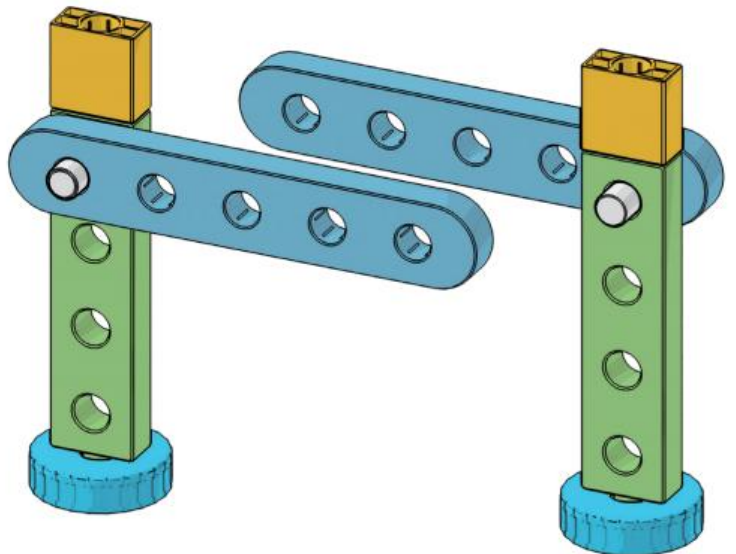
## Level Crossing






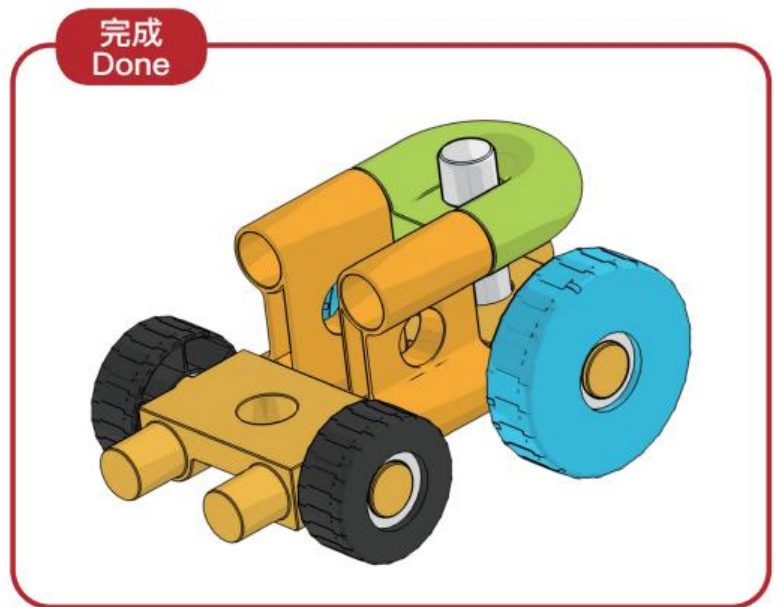
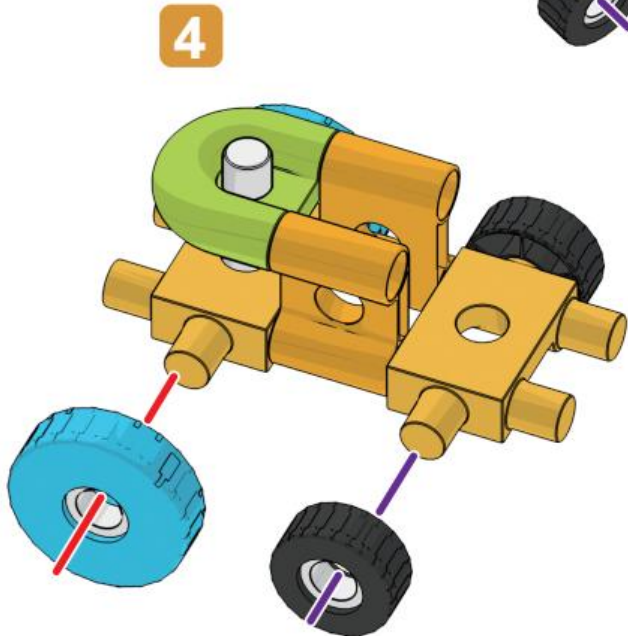
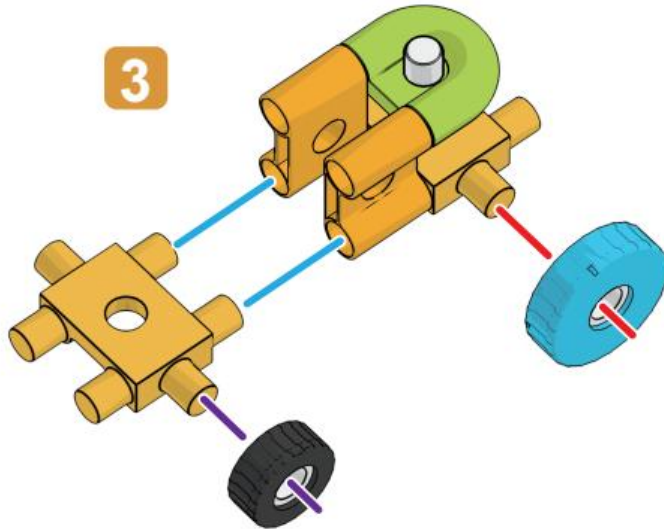
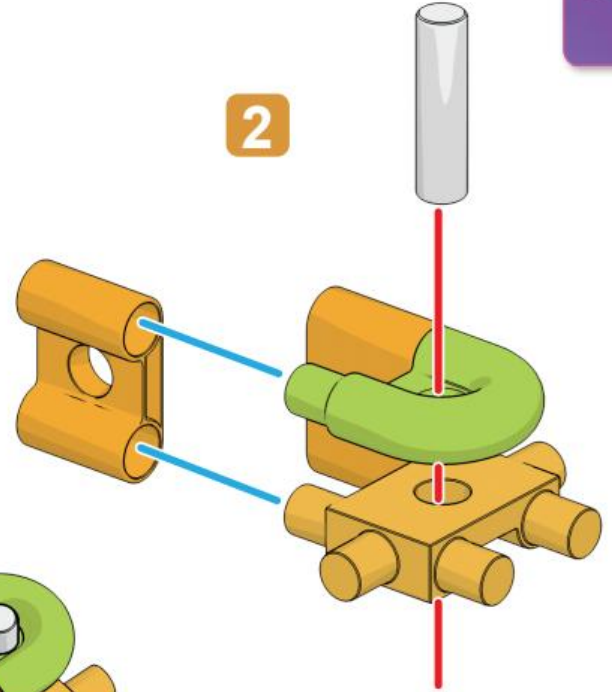
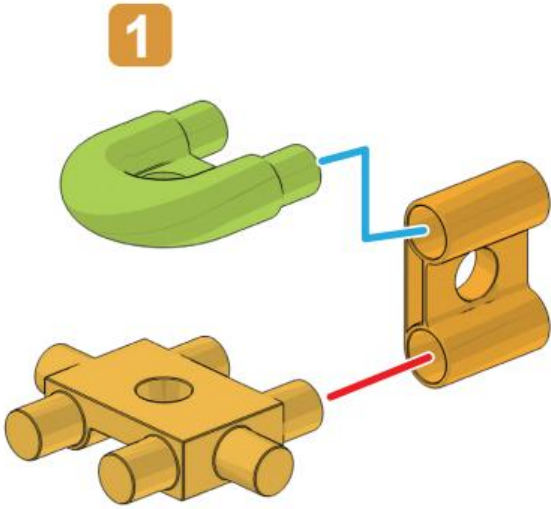
**3** x2



完成  
Done









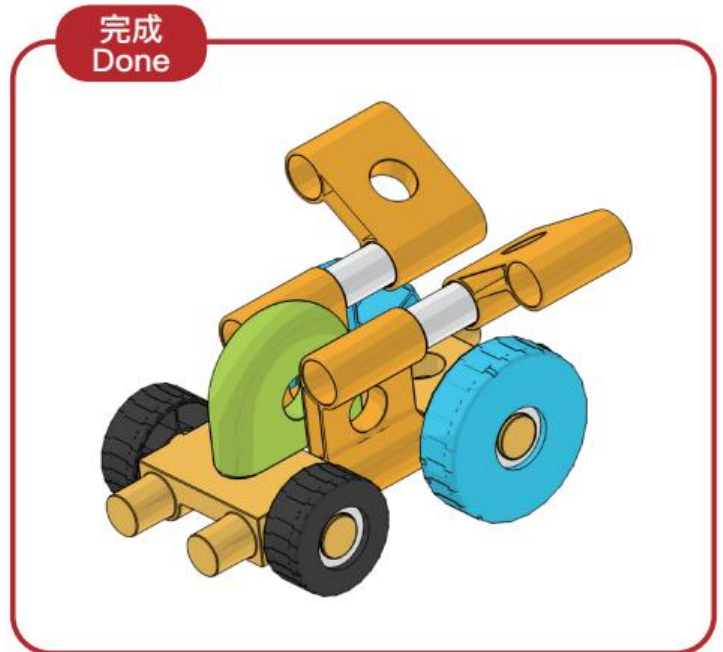
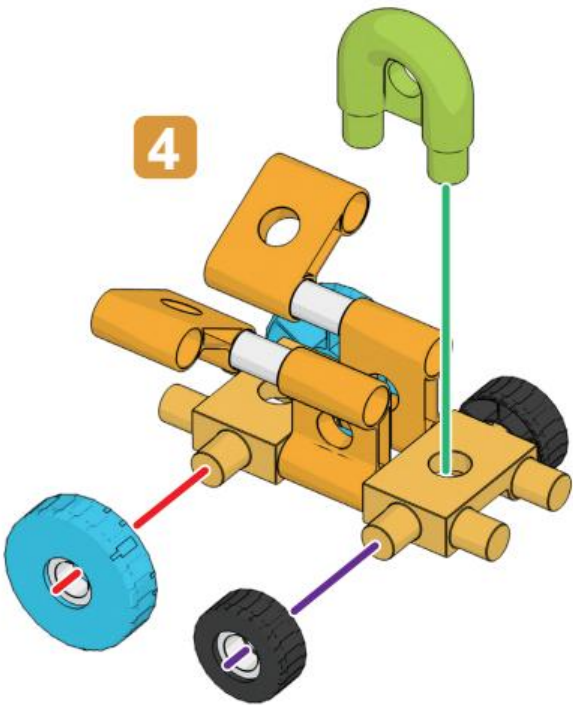
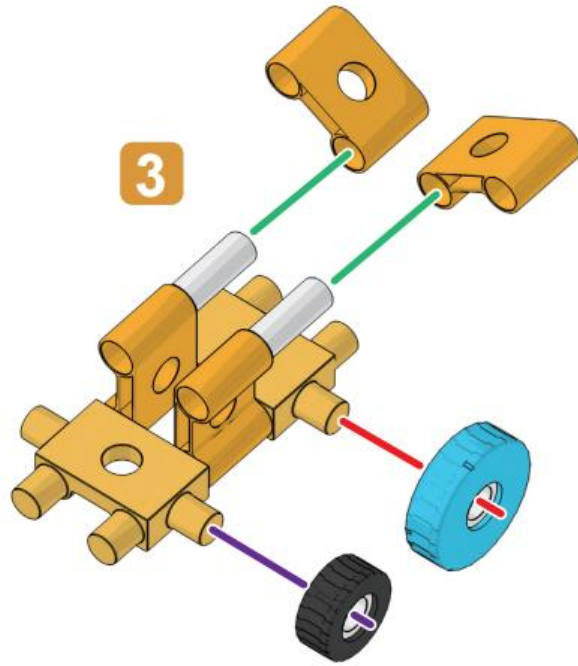
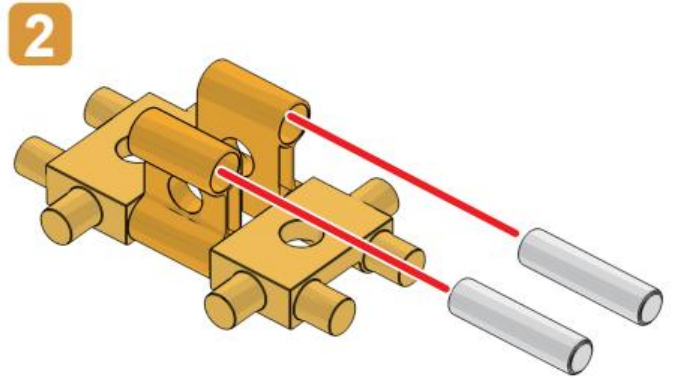
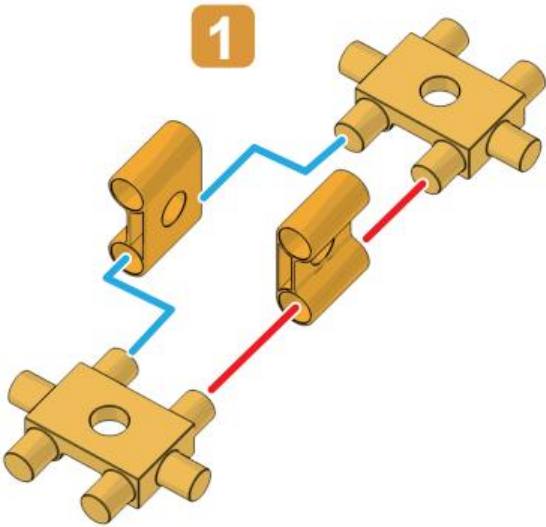
|                                                                                   |                                                                                   |                                                                                   |                                                                                   |                                                                                   |                                                                                   |
|-----------------------------------------------------------------------------------|-----------------------------------------------------------------------------------|-----------------------------------------------------------------------------------|-----------------------------------------------------------------------------------|-----------------------------------------------------------------------------------|-----------------------------------------------------------------------------------|
|  |  |  |  |  |  |
| 1                                                                                 | 2                                                                                 | 3                                                                                 | 4                                                                                 | 5                                                                                 | 6                                                                                 |
| x2                                                                                | x2                                                                                | x1                                                                                | x1                                                                                | x2                                                                                | x2                                                                                |



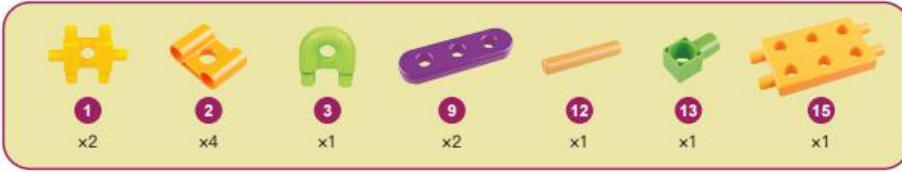
## 賽車

## Racing Car

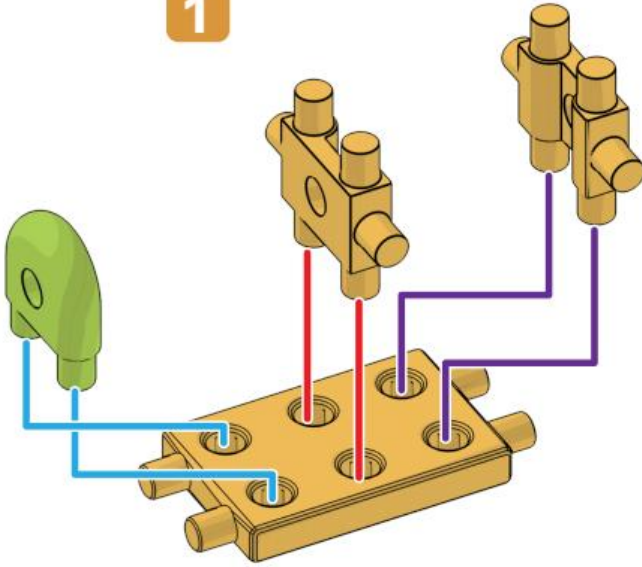
|                                                                                   |                                                                                   |                                                                                   |                                                                                   |                                                                                   |                                                                                     |
|-----------------------------------------------------------------------------------|-----------------------------------------------------------------------------------|-----------------------------------------------------------------------------------|-----------------------------------------------------------------------------------|-----------------------------------------------------------------------------------|-------------------------------------------------------------------------------------|
|  |  |  |  |  |  |
| 1                                                                                 | 2                                                                                 | 3                                                                                 | 4                                                                                 | 5                                                                                 | 6                                                                                   |
| x2                                                                                | x4                                                                                | x1                                                                                | x2                                                                                | x2                                                                                | x2                                                                                  |



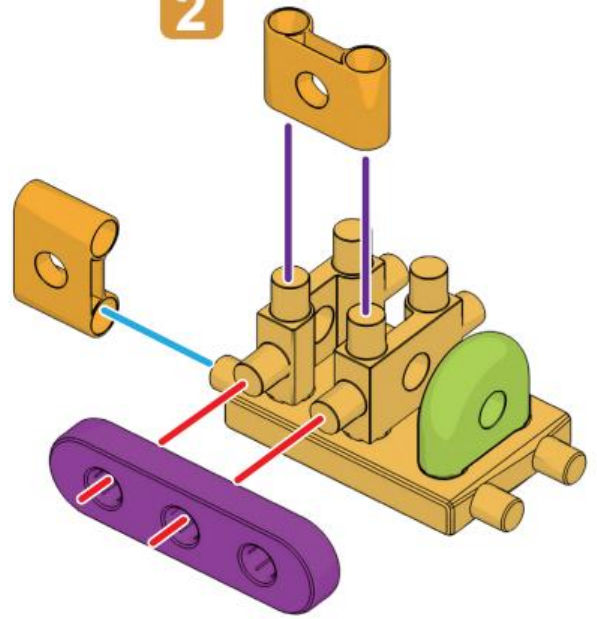




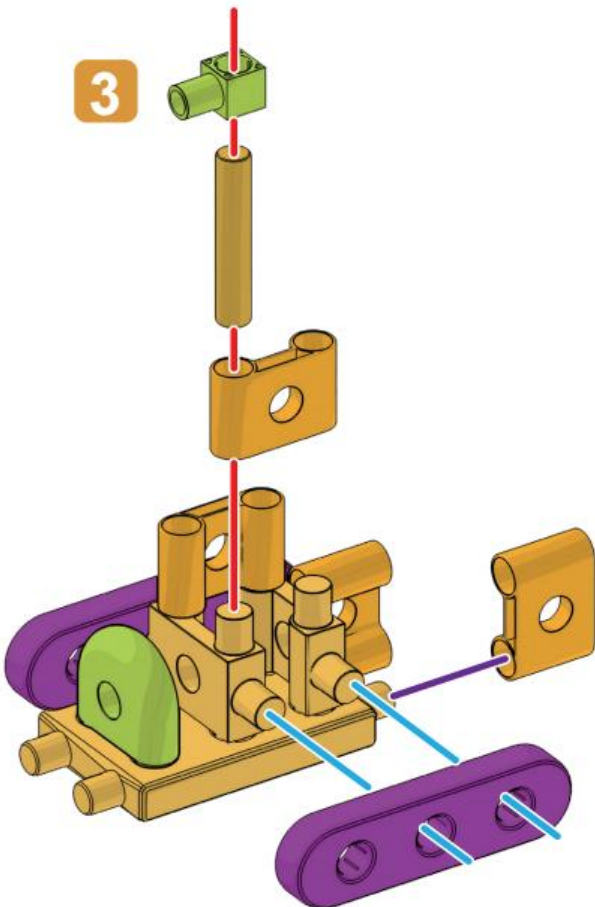
1



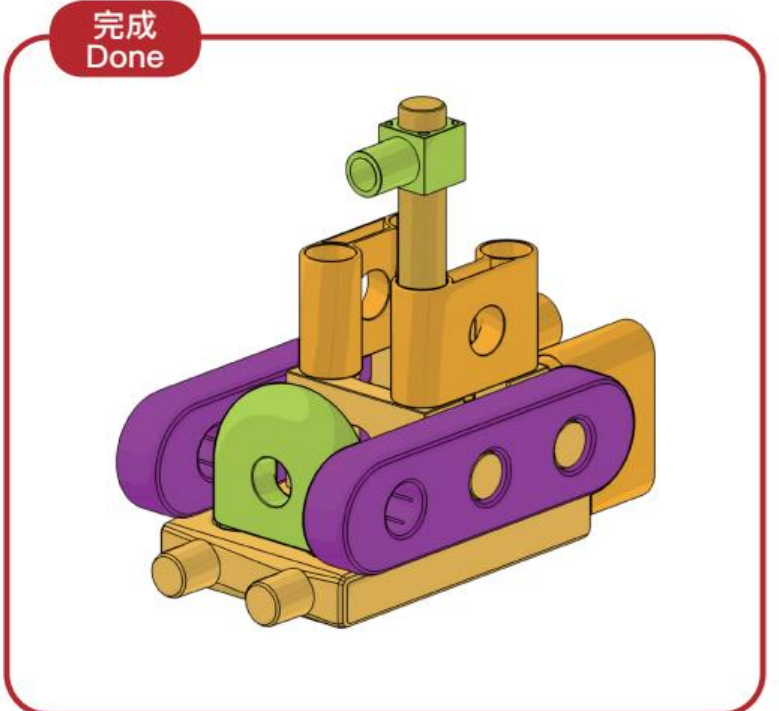
2



3

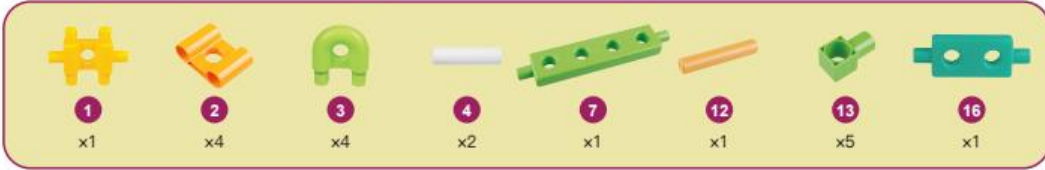


完成  
Done



## 挖土機

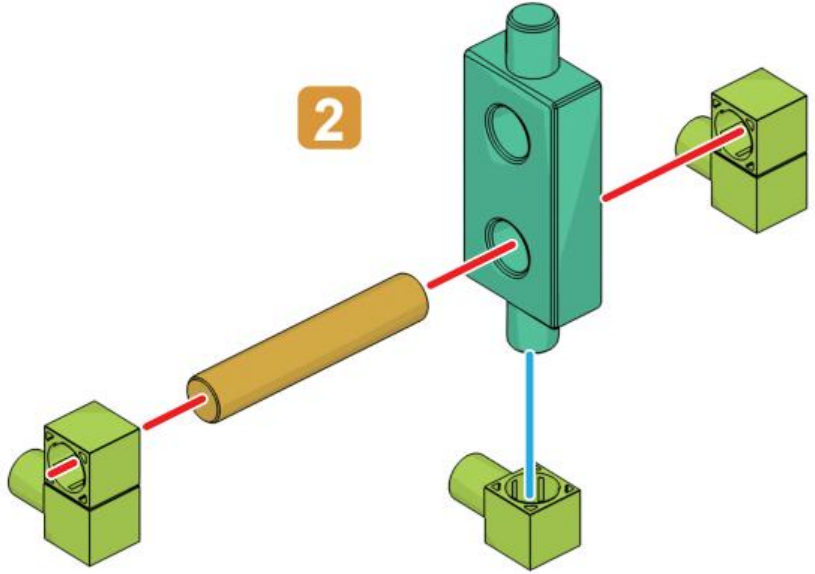
## Excavator



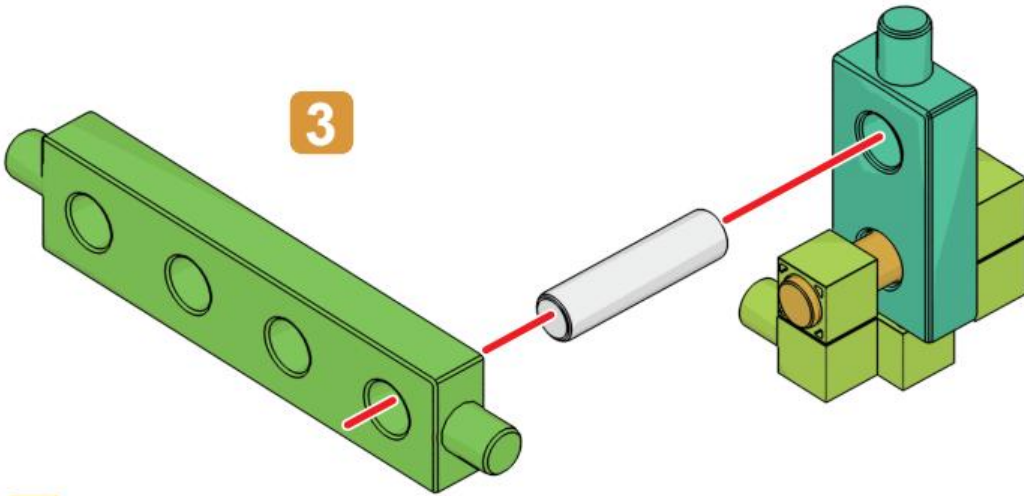
1 x2



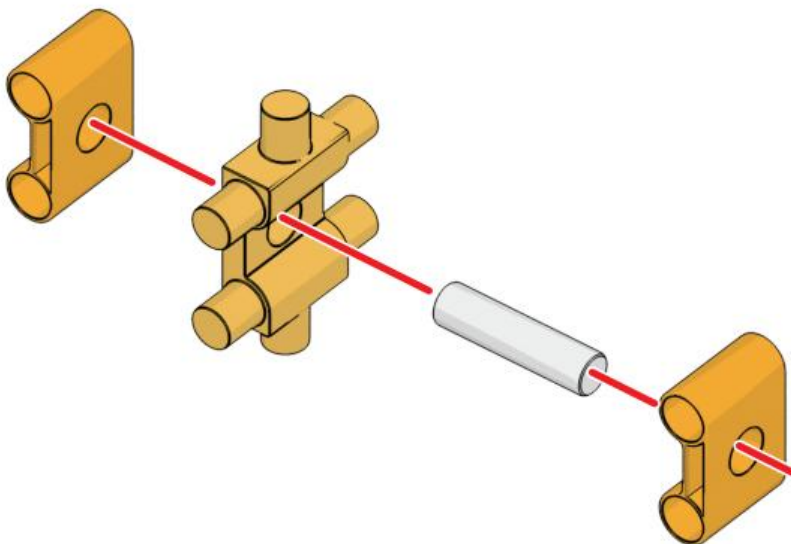
2

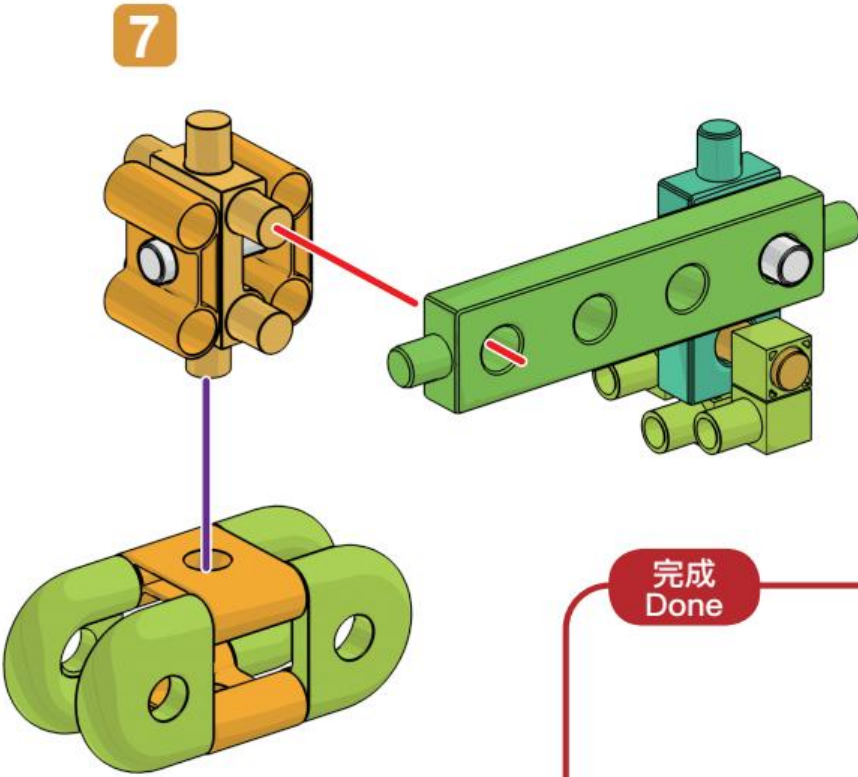
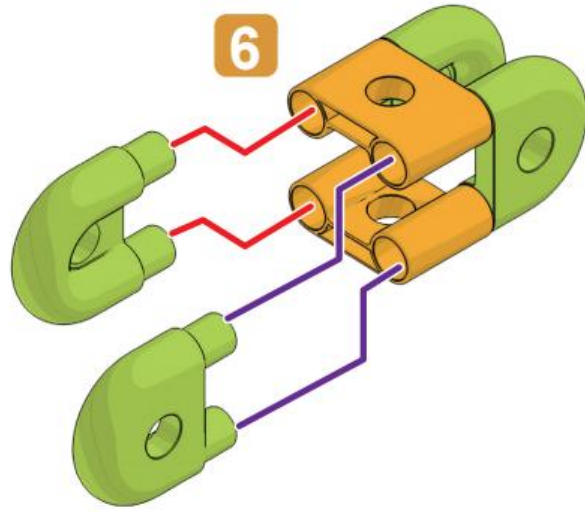
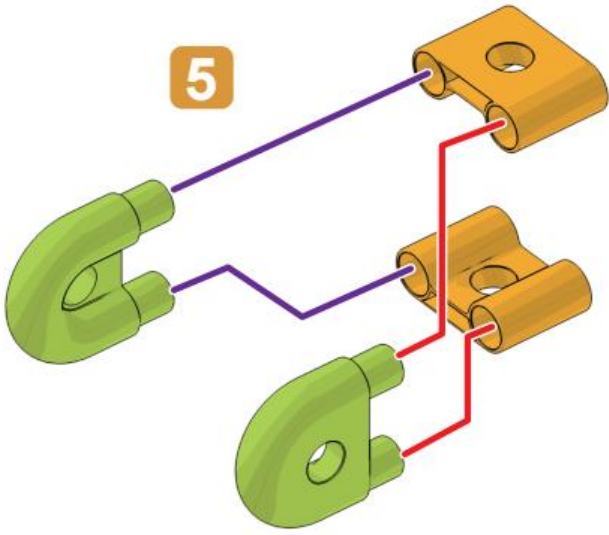


3

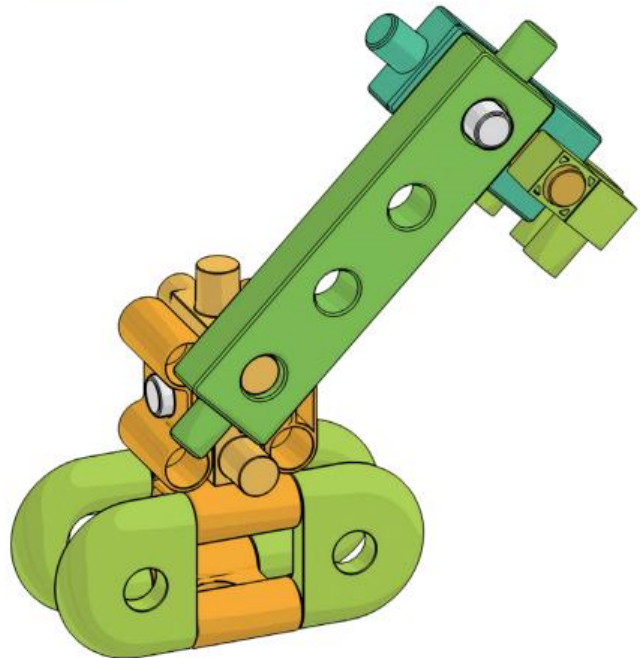


4



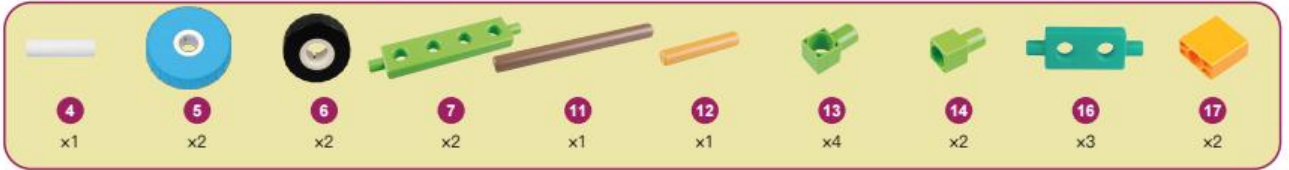


完成  
Done



## 三輪車

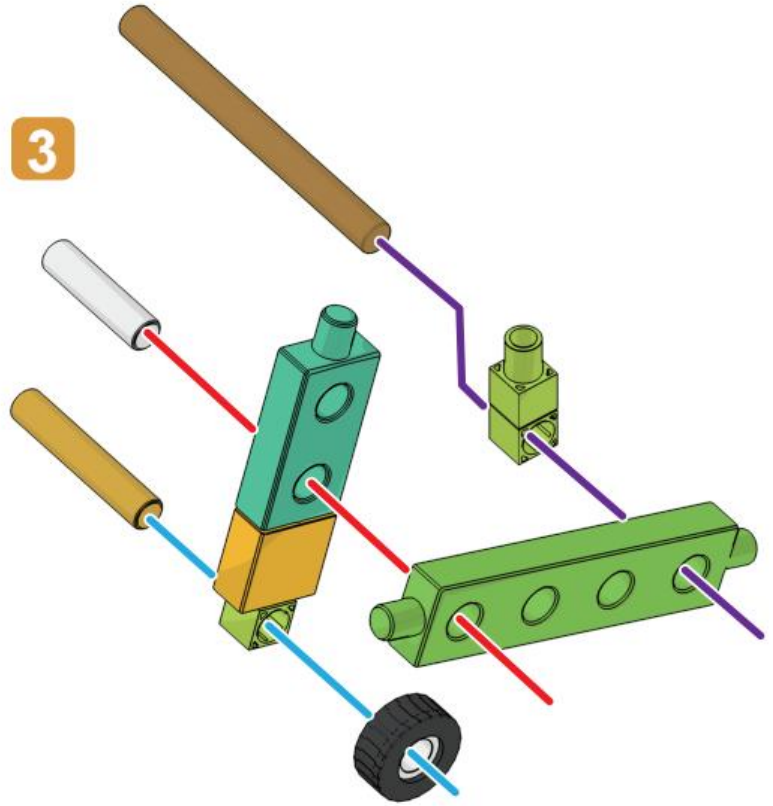
## Tricycle



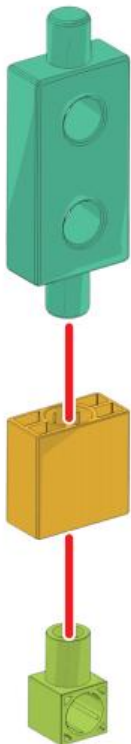
1 x2



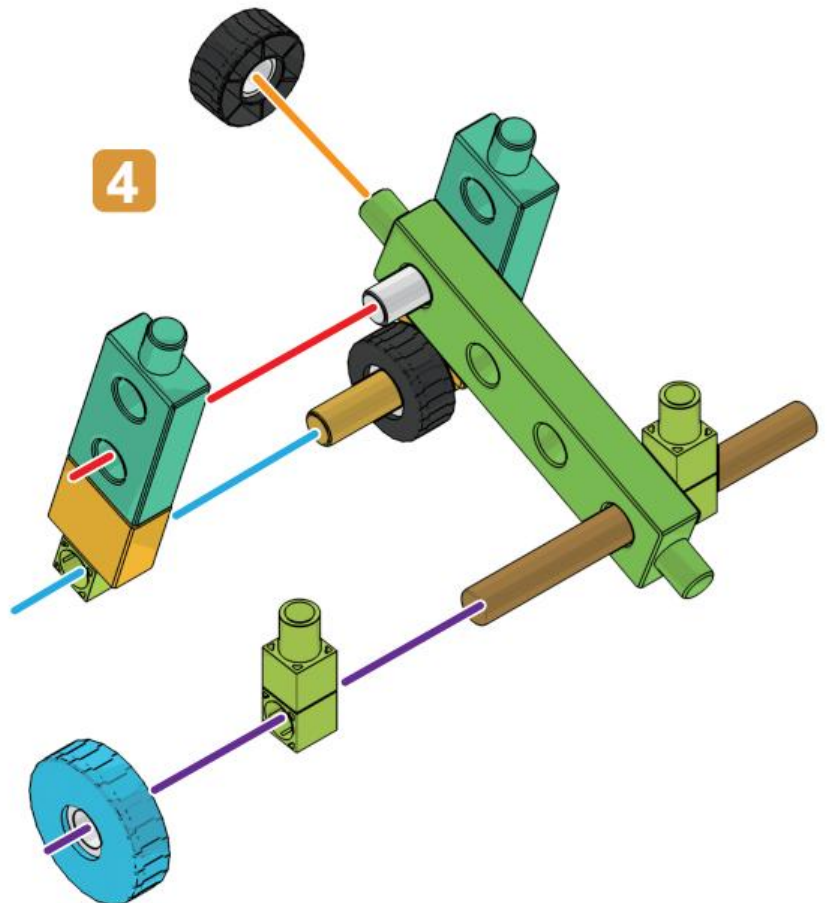
3

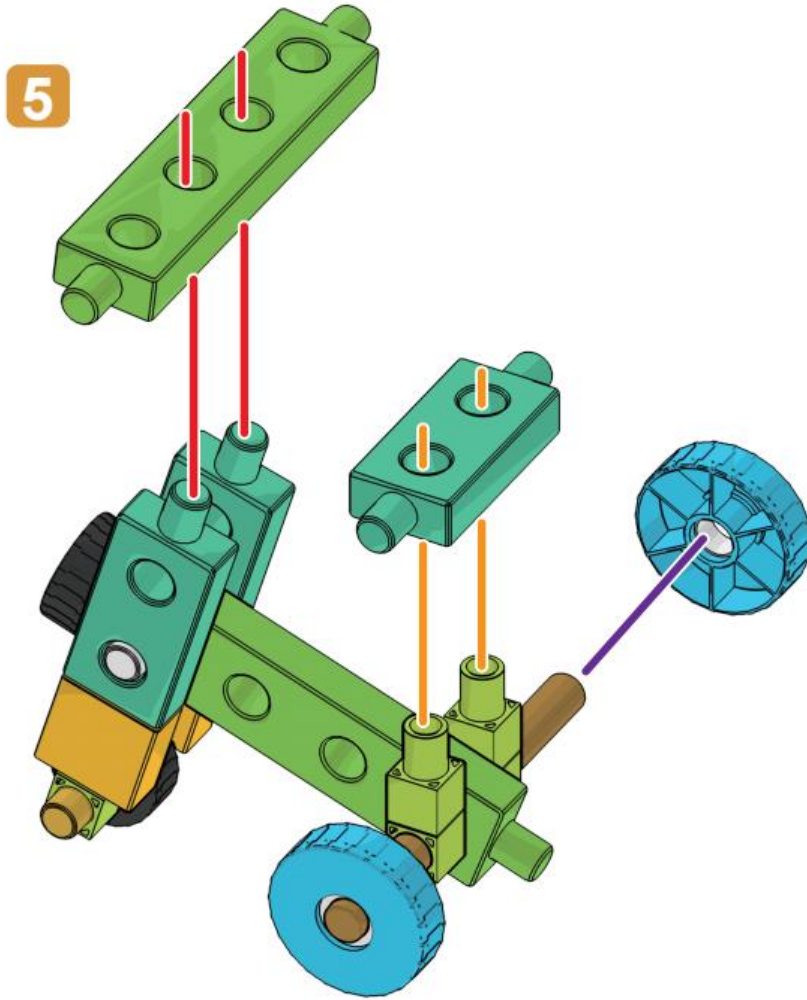


2 x2

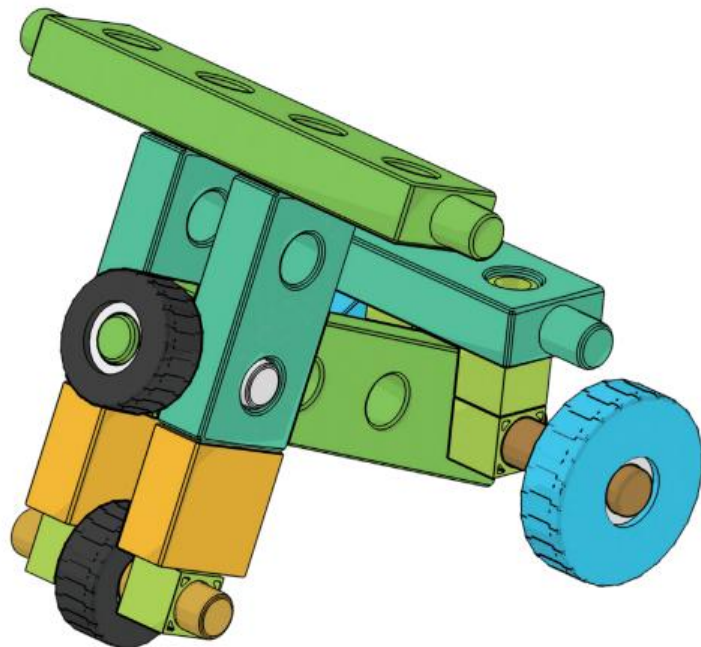


4



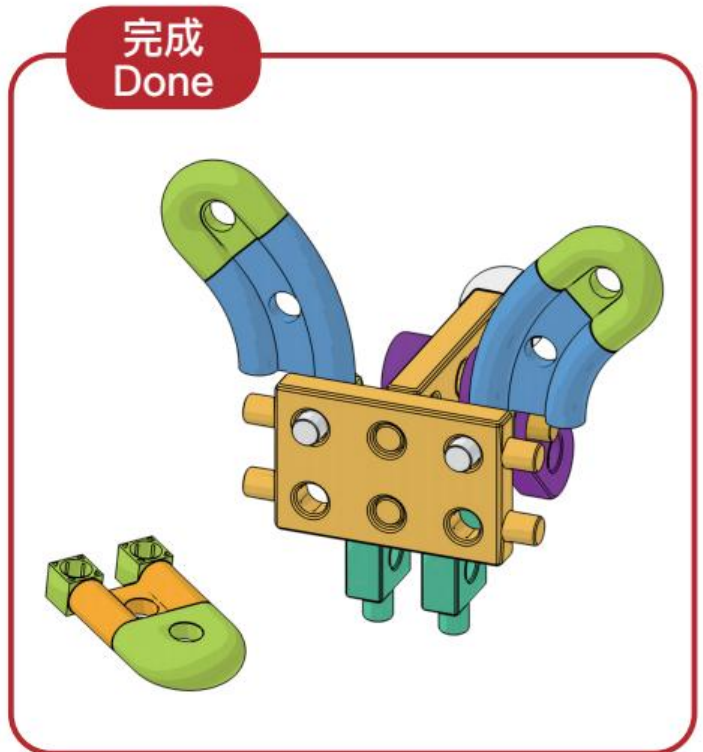
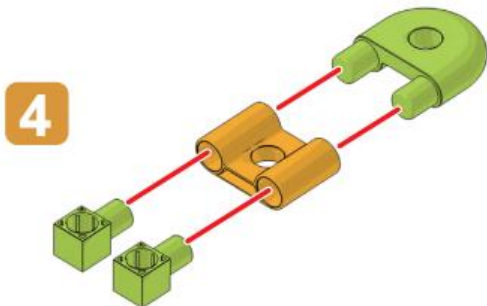
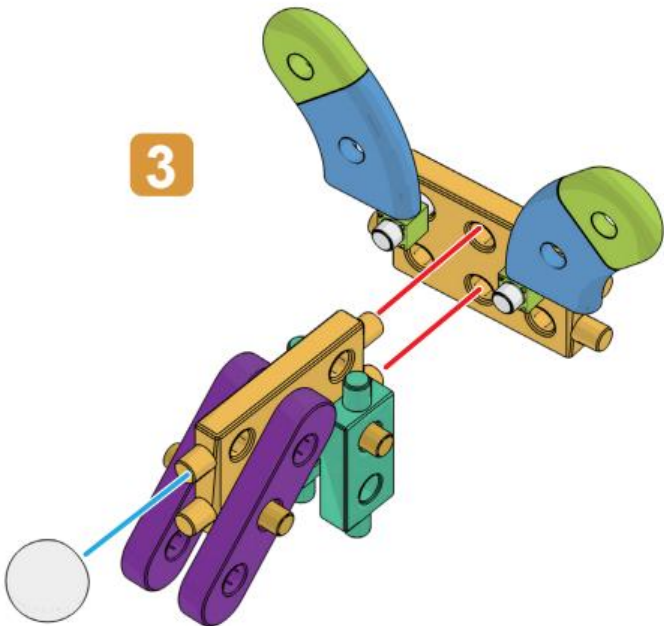
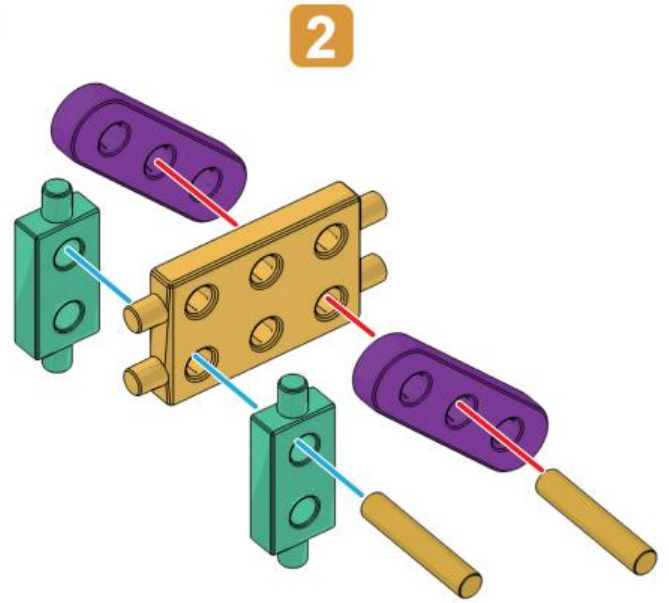
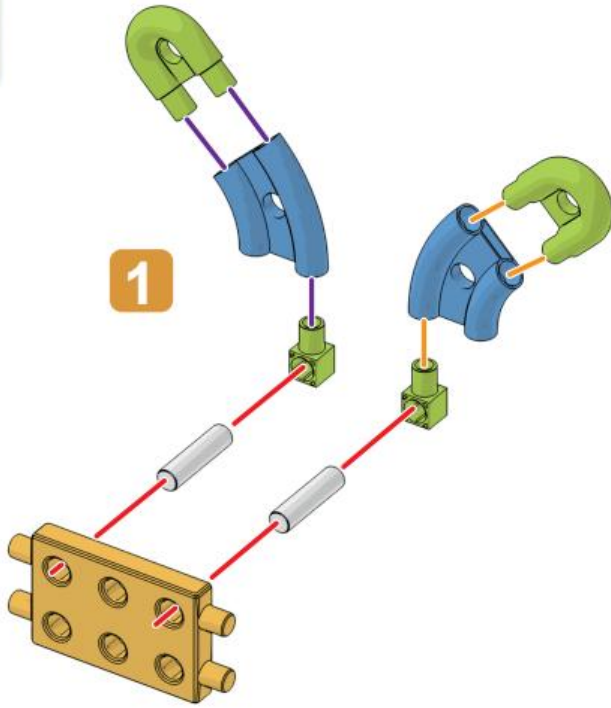


完成  
Done

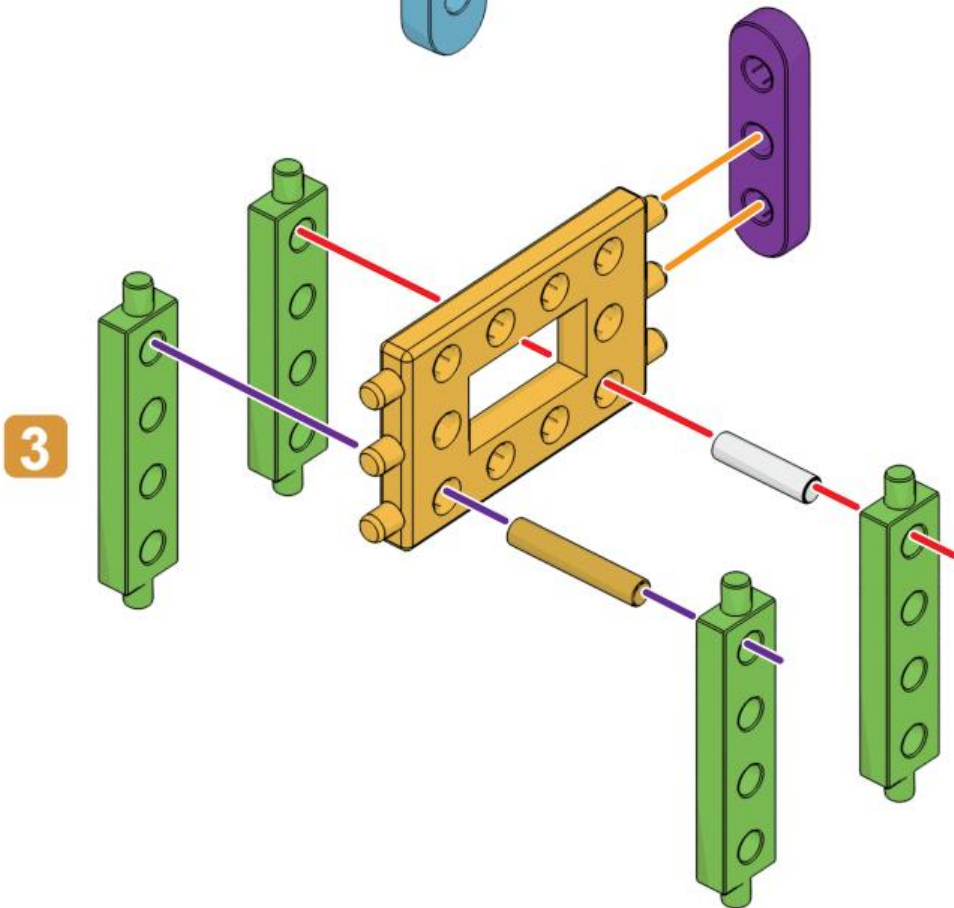
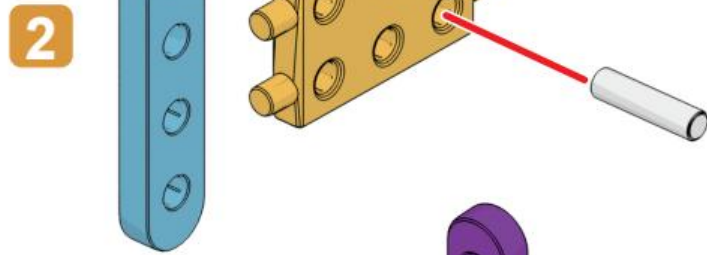
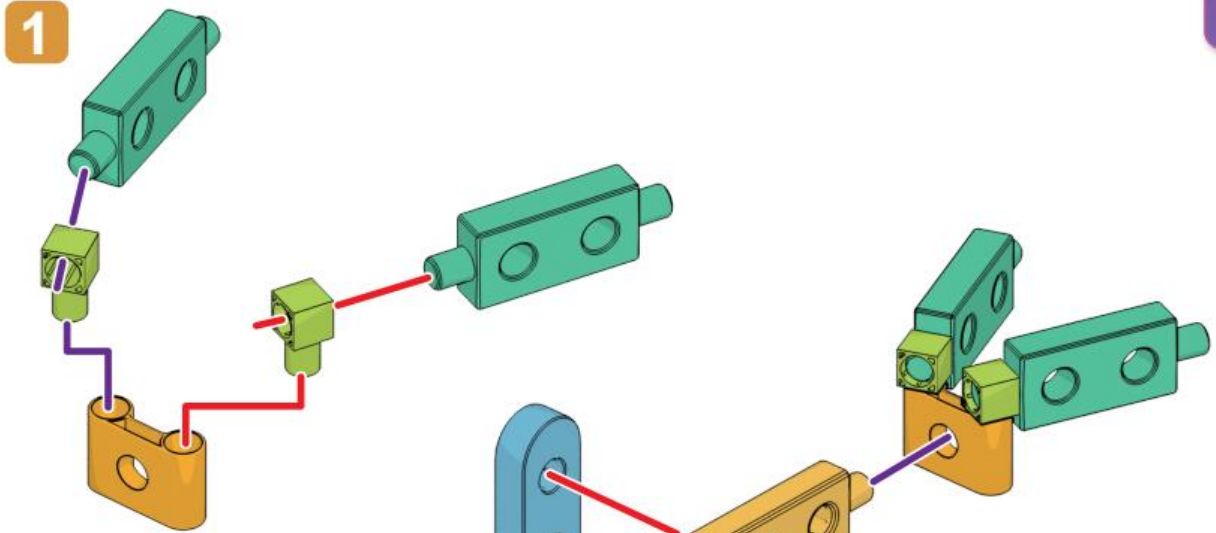
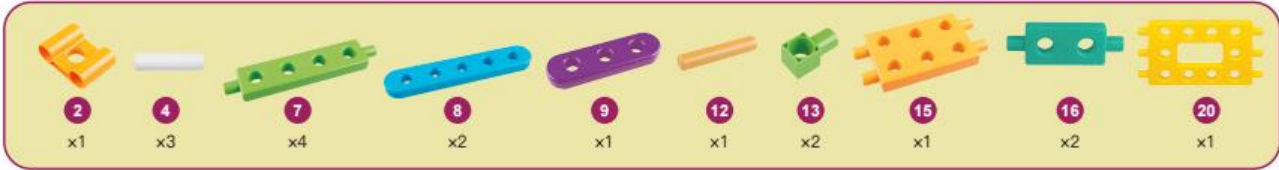


## 兔子

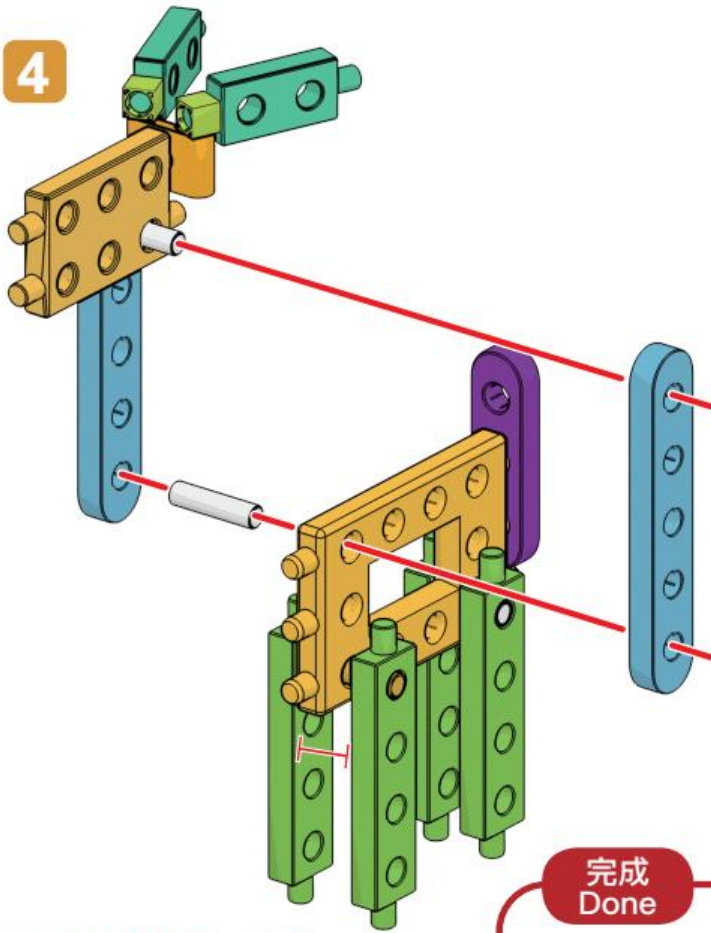
## Rabbit



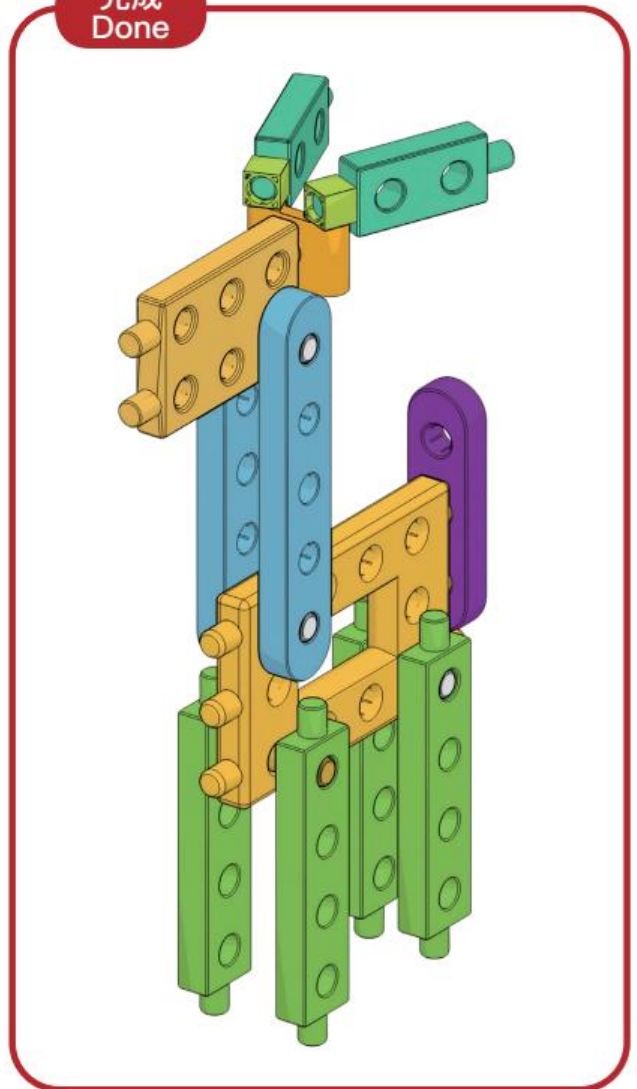
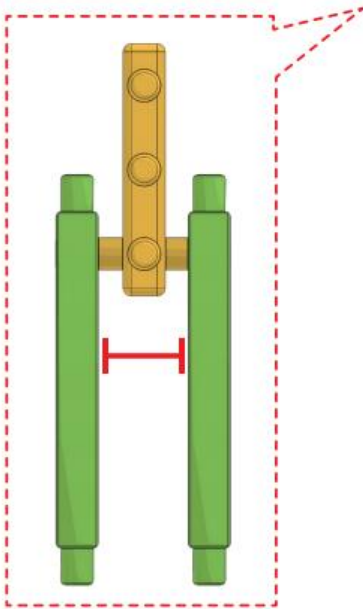
完成  
Done



4



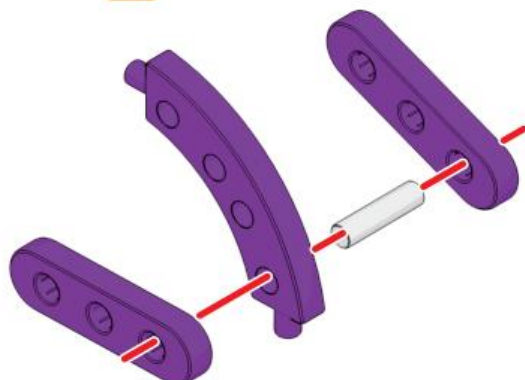
完成  
Done



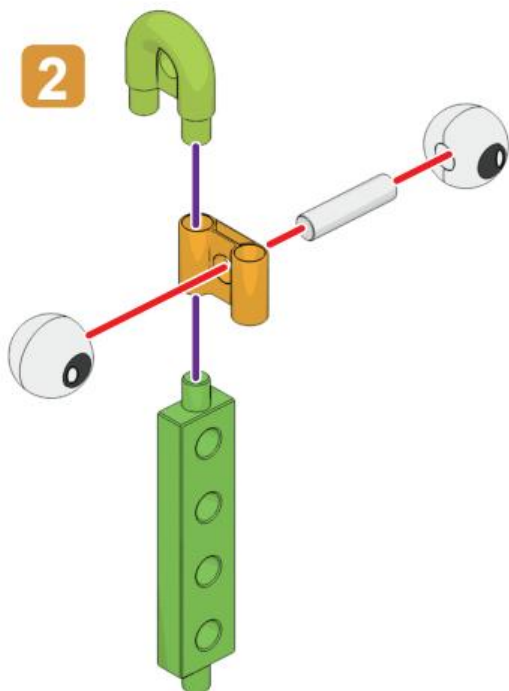


|    |    |    |    |    |    |    |    |    |
|----|----|----|----|----|----|----|----|----|
|    |    |    |    |    |    |    |    |    |
| 2  | 3  | 4  | 7  | 9  | 18 | 19 | 20 | 21 |
| x1 | x1 | x2 | x3 | x2 | x2 | x2 | x1 | x1 |

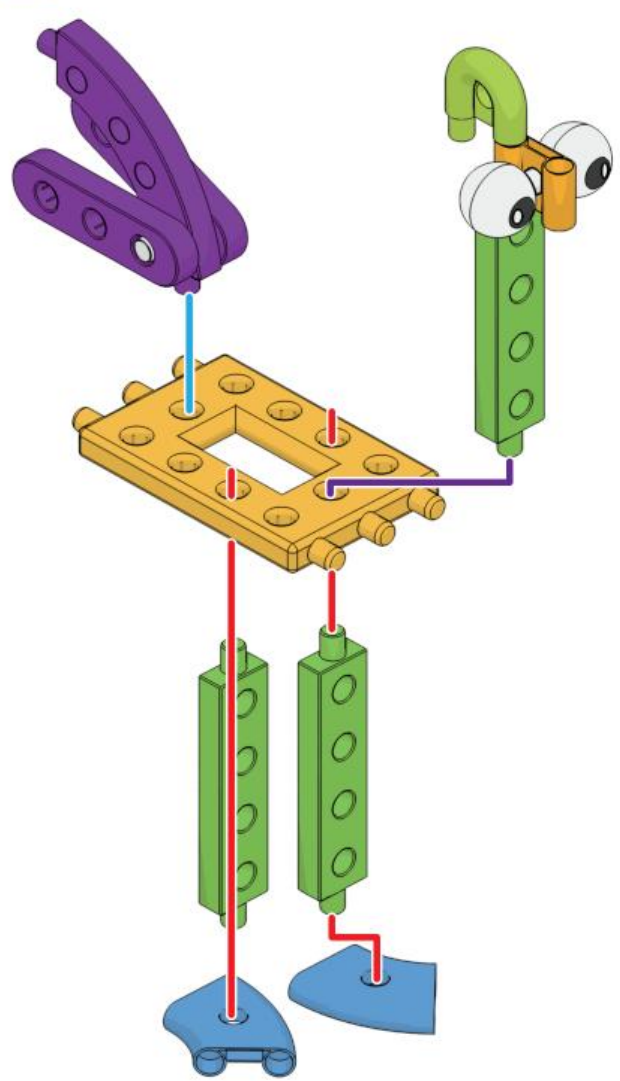
1



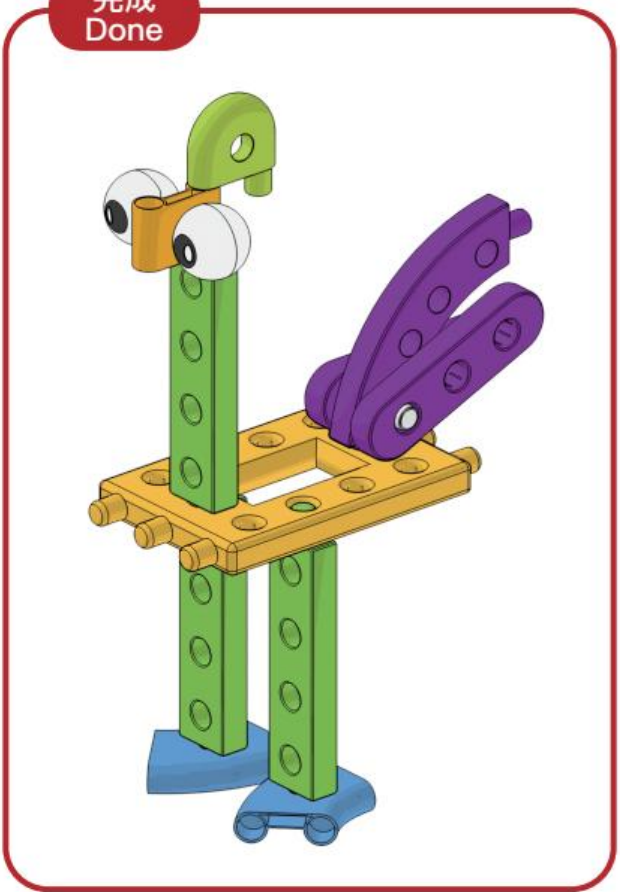
2



3











完成  
Done

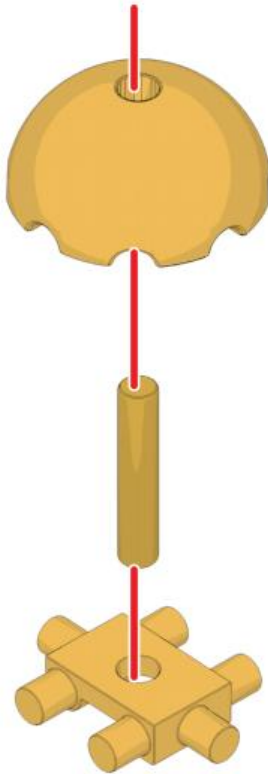


蝸牛

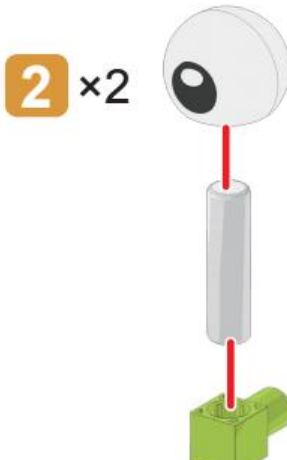
Snail

|                                                                                   |                                                                                   |                                                                                   |                                                                                   |                                                                                   |                                                                                   |                                                                                     |                                                                                     |
|-----------------------------------------------------------------------------------|-----------------------------------------------------------------------------------|-----------------------------------------------------------------------------------|-----------------------------------------------------------------------------------|-----------------------------------------------------------------------------------|-----------------------------------------------------------------------------------|-------------------------------------------------------------------------------------|-------------------------------------------------------------------------------------|
|  |  |  |  |  |  |  |  |
| 1                                                                                 | 3                                                                                 | 4                                                                                 | 10                                                                                | 12                                                                                | 13                                                                                | 18                                                                                  | 19                                                                                  |
| x1                                                                                | x1                                                                                | x2                                                                                | x1                                                                                | x1                                                                                | x2                                                                                | x2                                                                                  | x2                                                                                  |

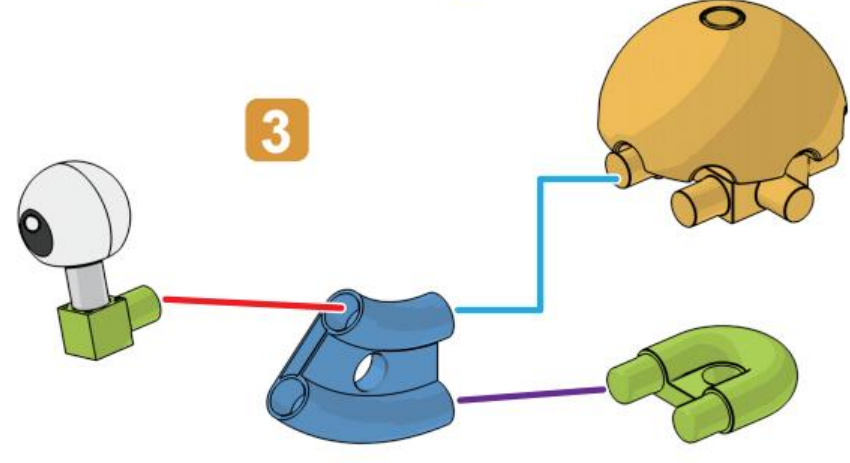
**1**



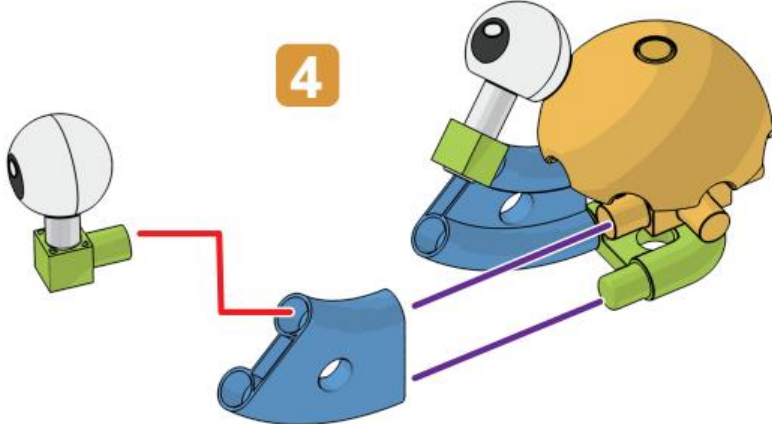
**2** x2




**3**



**4**

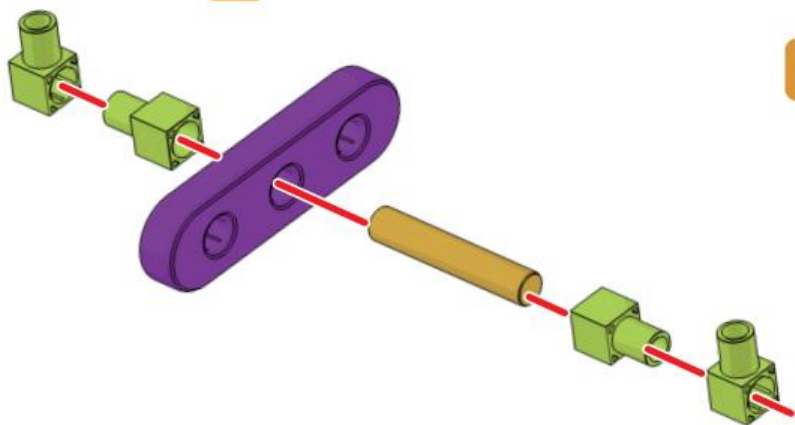


**完成**  
Done

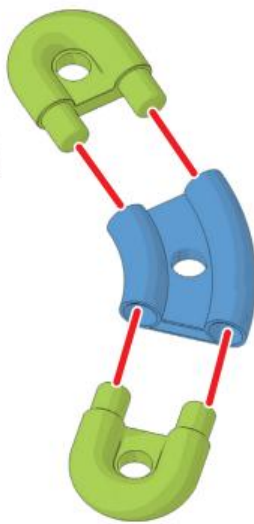


|                                                                                   |                                                                                   |                                                                                   |                                                                                   |                                                                                   |                                                                                   |                                                                                   |                                                                                    |
|-----------------------------------------------------------------------------------|-----------------------------------------------------------------------------------|-----------------------------------------------------------------------------------|-----------------------------------------------------------------------------------|-----------------------------------------------------------------------------------|-----------------------------------------------------------------------------------|-----------------------------------------------------------------------------------|------------------------------------------------------------------------------------|
|  |  |  |  |  |  |  |  |
| 3                                                                                 | 4                                                                                 | 9                                                                                 | 12                                                                                | 13                                                                                | 14                                                                                | 18                                                                                | 19                                                                                 |
| x4                                                                                | x1                                                                                | x1                                                                                | x1                                                                                | x2                                                                                | x2                                                                                | x2                                                                                | x2                                                                                 |

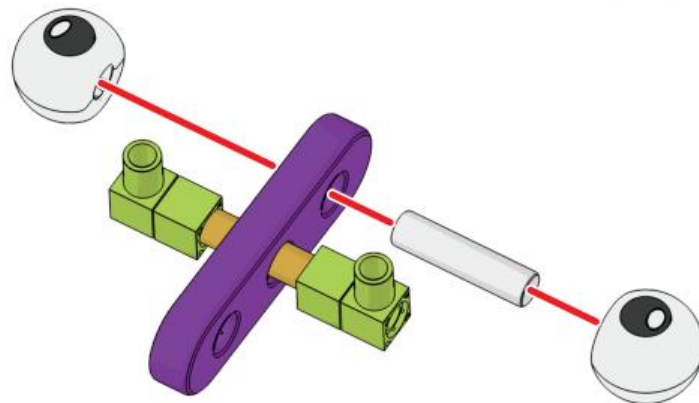
**1**



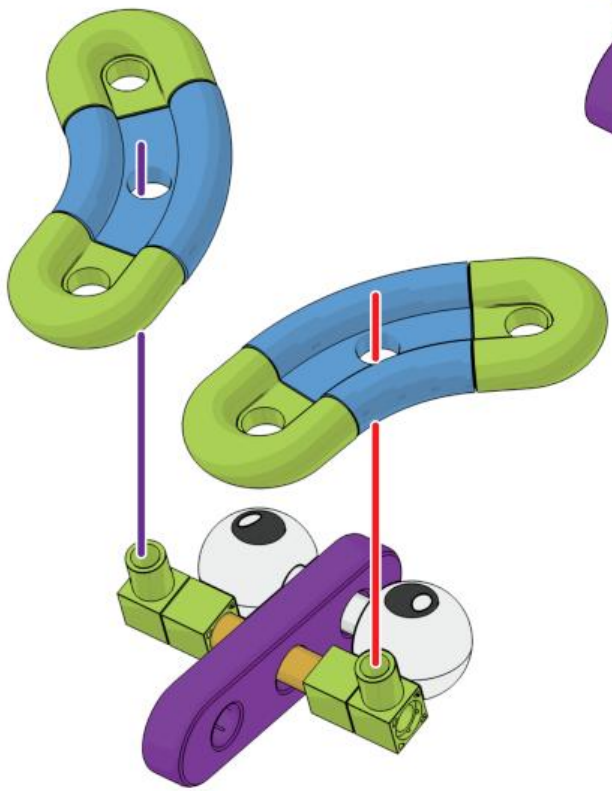
**2** x2




**3**



**4**



**完成 Done**

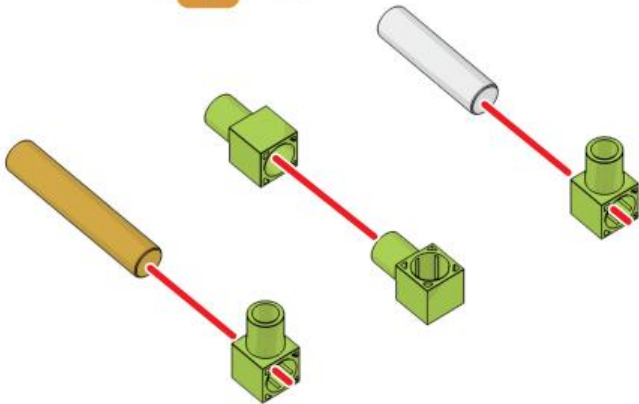




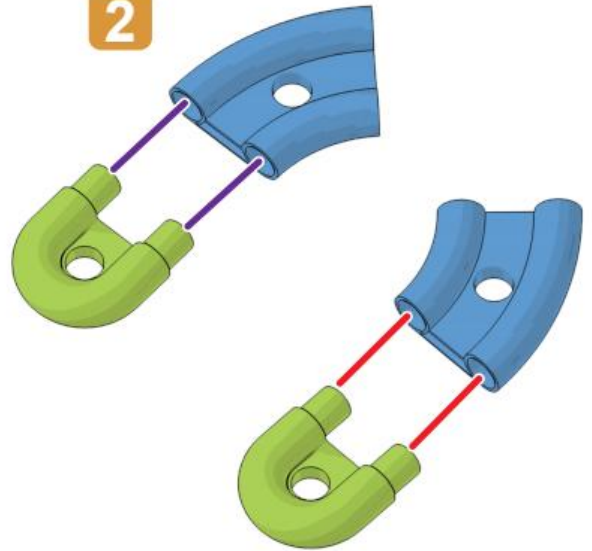
## Cicada

|    |    |    |    |    |    |    |    |
|----|----|----|----|----|----|----|----|
|    |    |    |    |    |    |    |    |
| 3  | 4  | 12 | 13 | 14 | 18 | 19 | 20 |
| x2 | x4 | x2 | x6 | x3 | x2 | x2 | x1 |

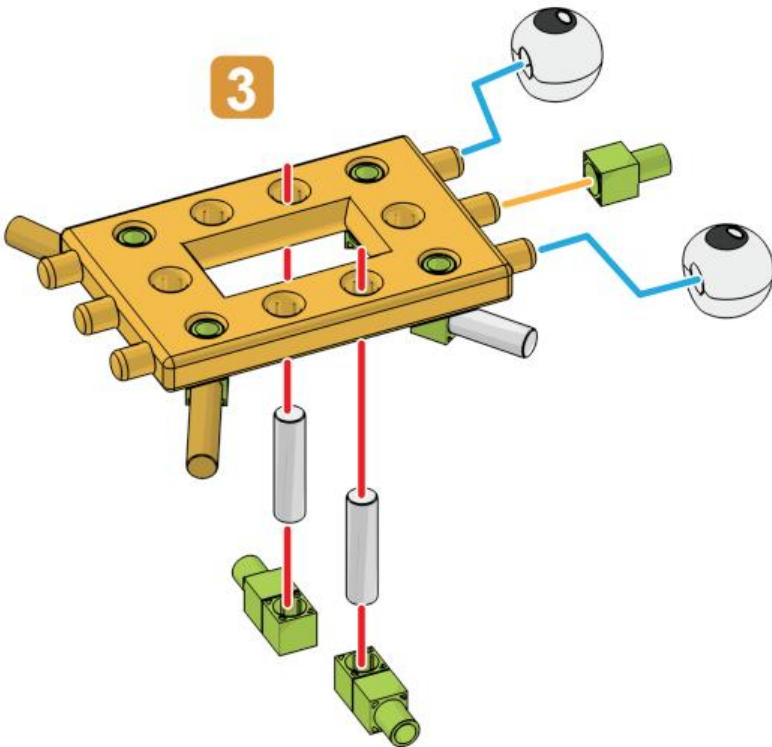
1 x2



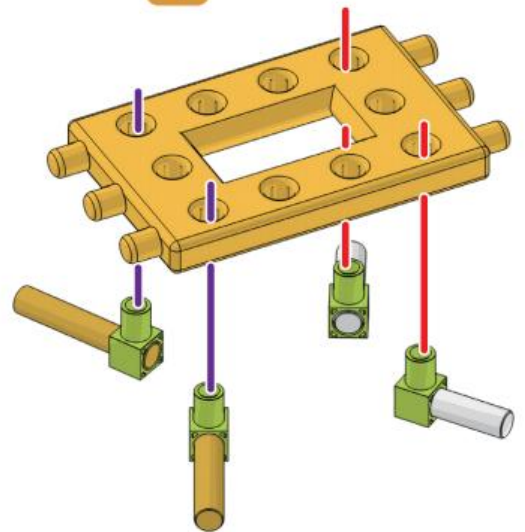
2

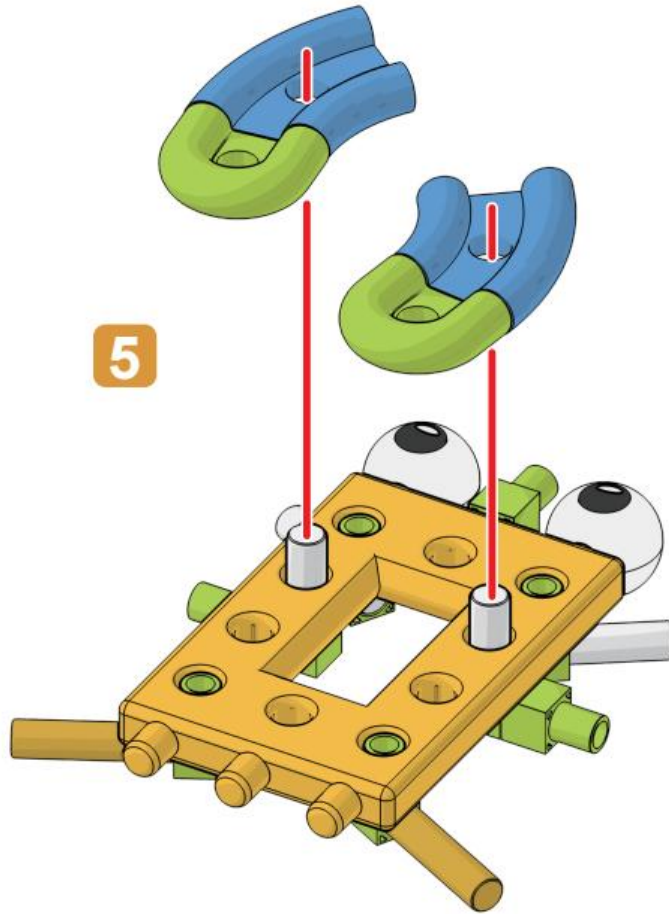


3

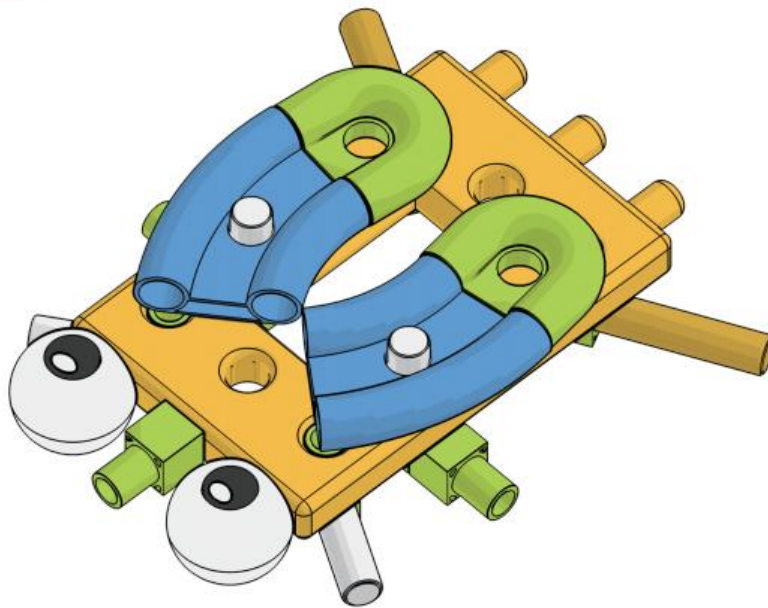


4





完成  
Done

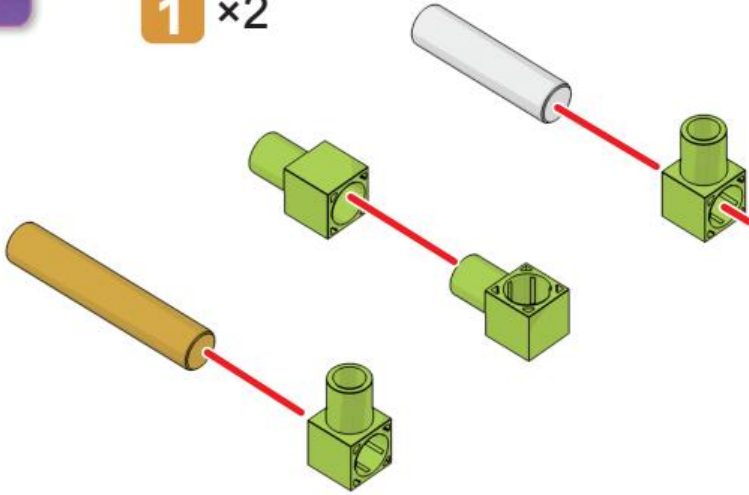


## 獨角仙

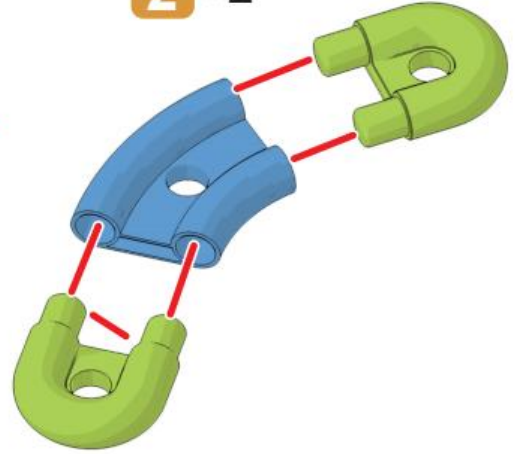
## Unicorn Beetle



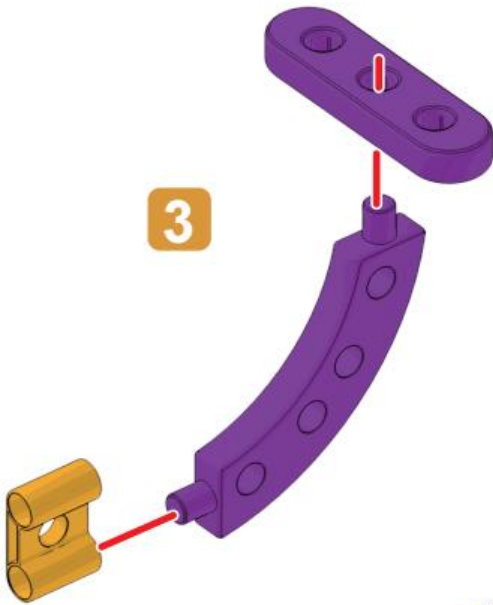
1 x2



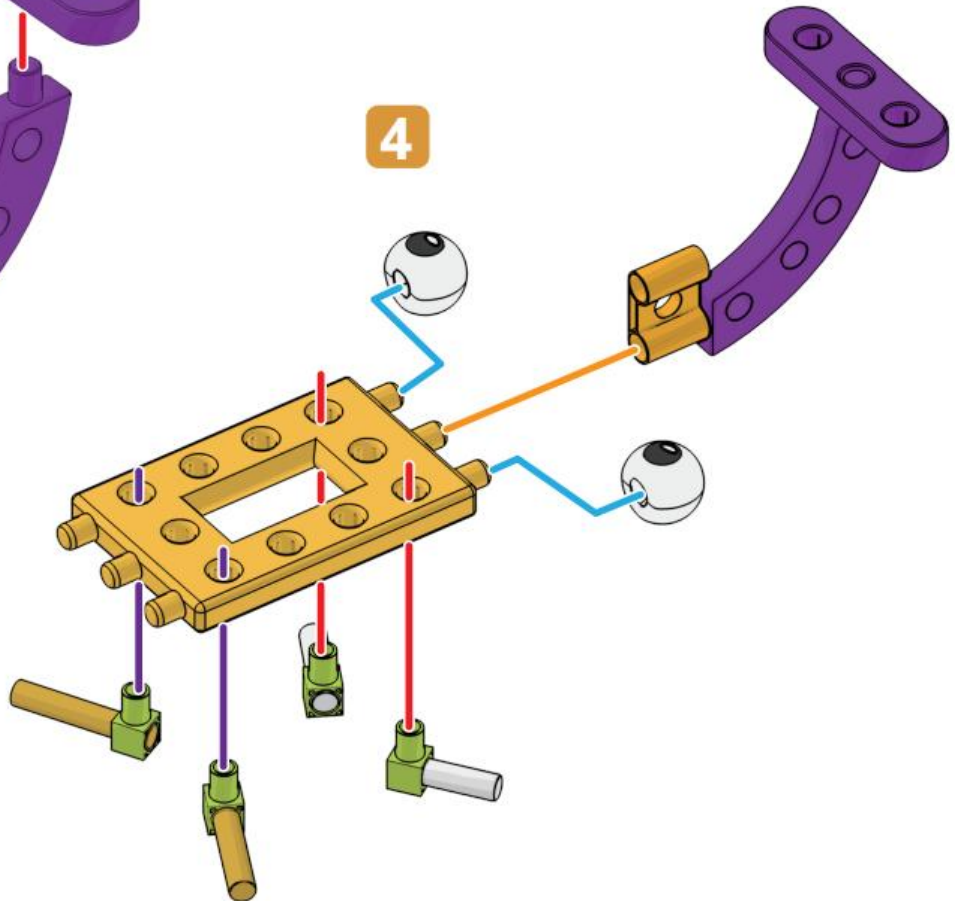
2 x2



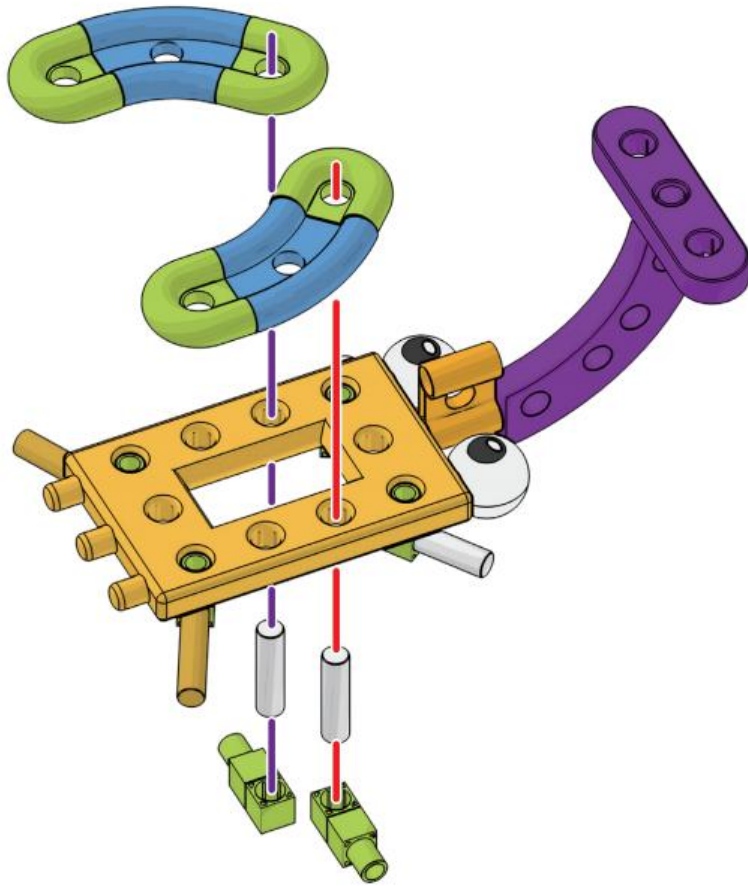
3



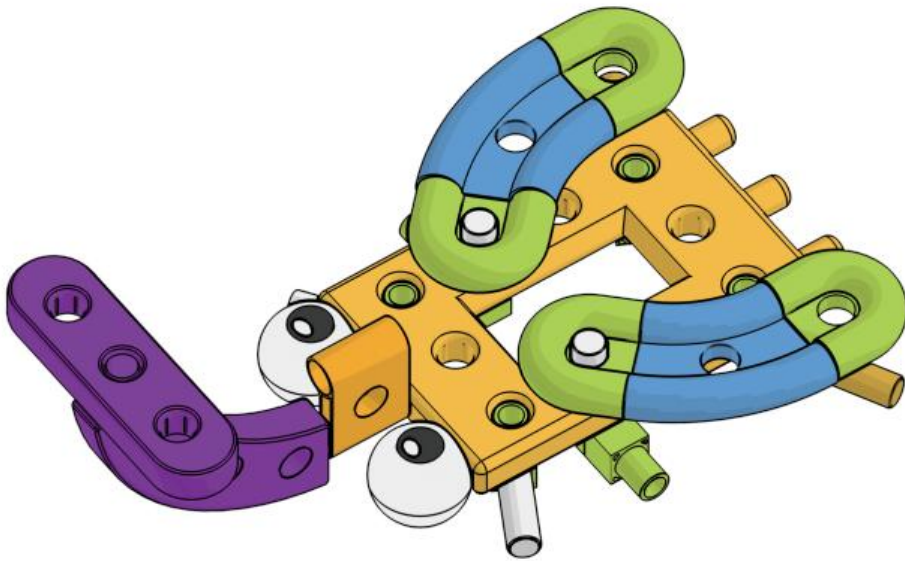
4



5

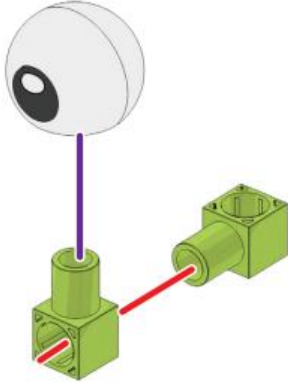


完成  
Done

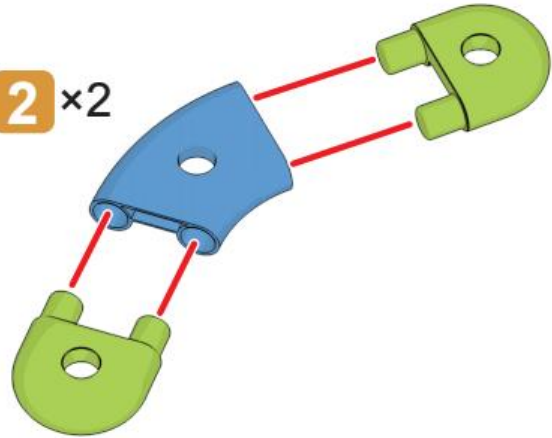


|    |    |    |    |    |    |    |
|----|----|----|----|----|----|----|
|    |    |    |    |    |    |    |
| 1  | 2  | 3  | 4  | 7  | 12 | 13 |
| x1 | x3 | x4 | x2 | x3 | x2 | x5 |
|    |    |    |    |    |    |    |
| 14 | 15 | 16 | 18 | 19 |    |    |
| x1 | x2 | x1 | x2 | x2 |    |    |

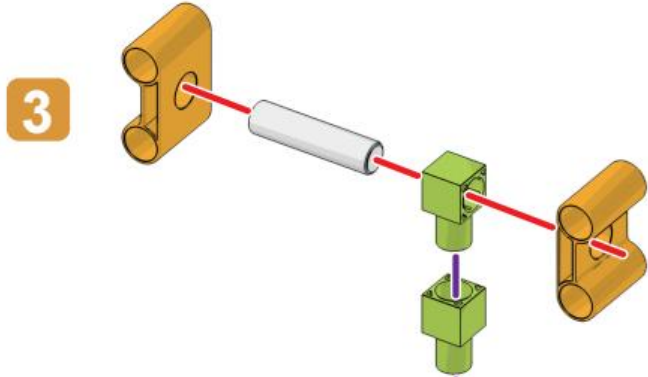
1 x2



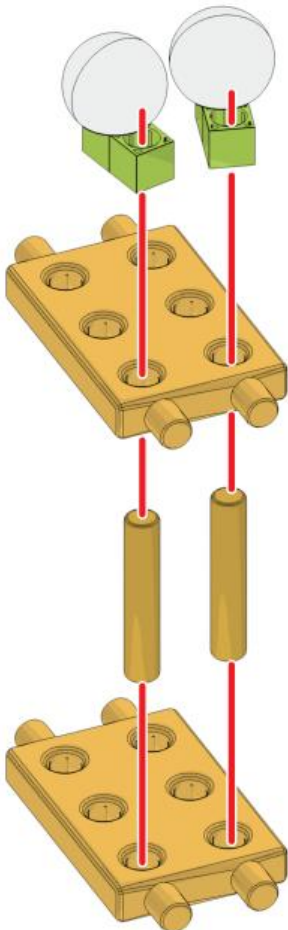
2 x2



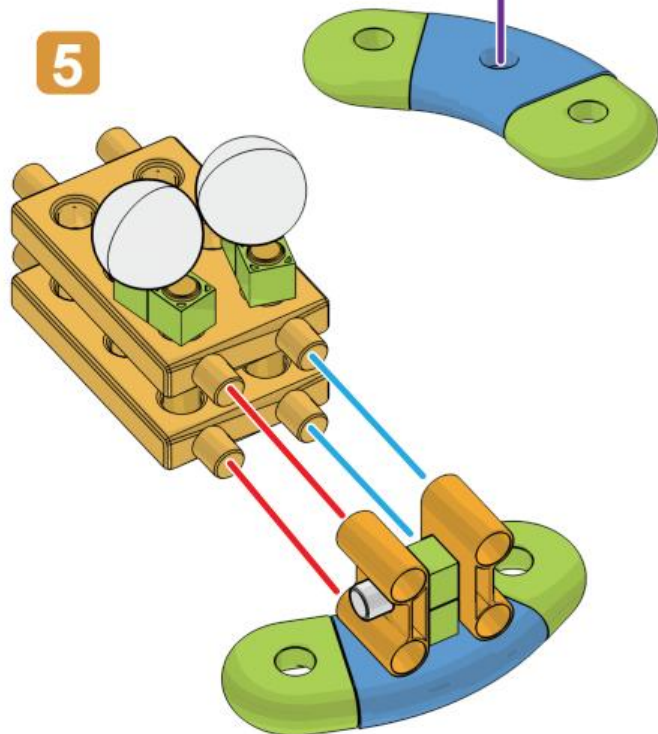
3



4

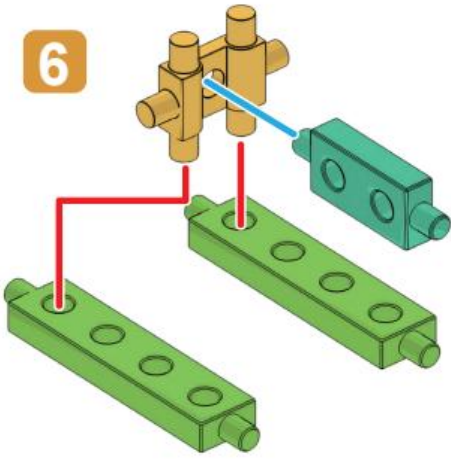


5

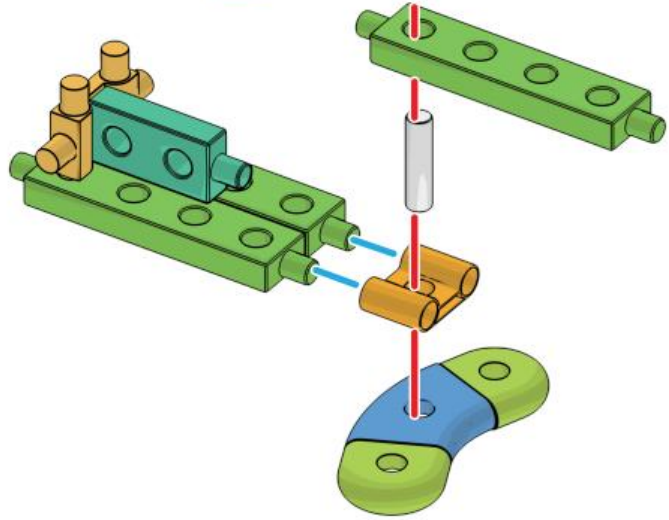




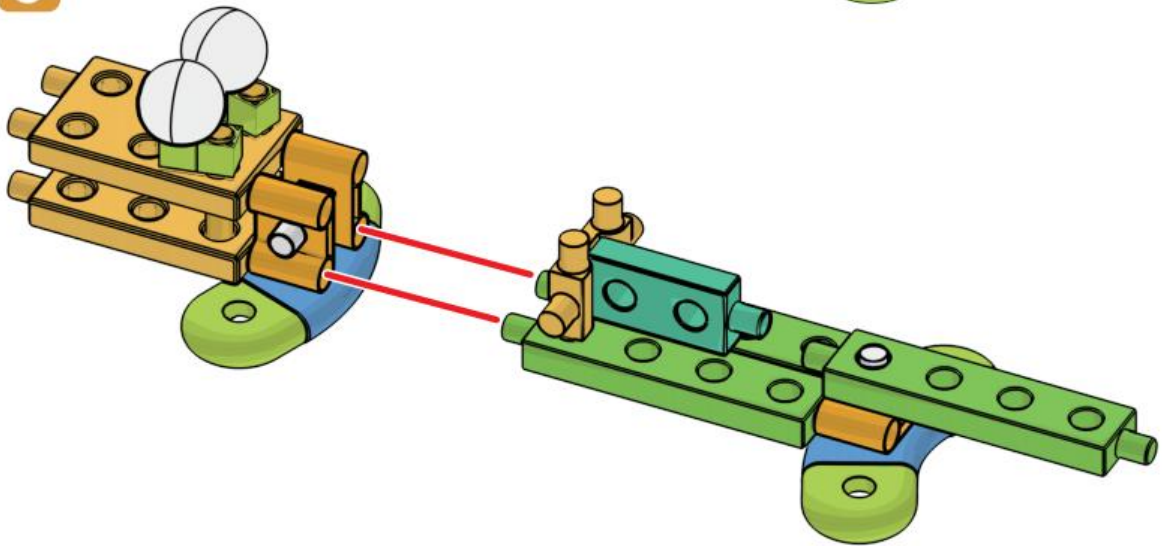
6



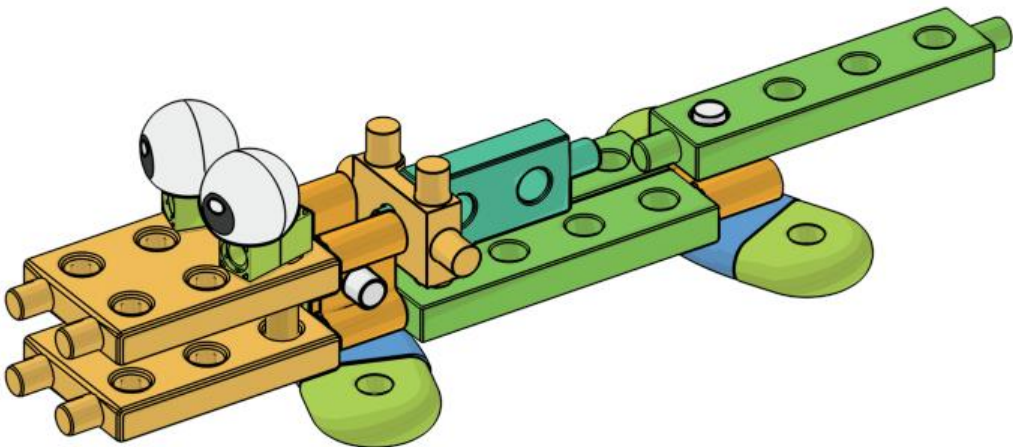
7

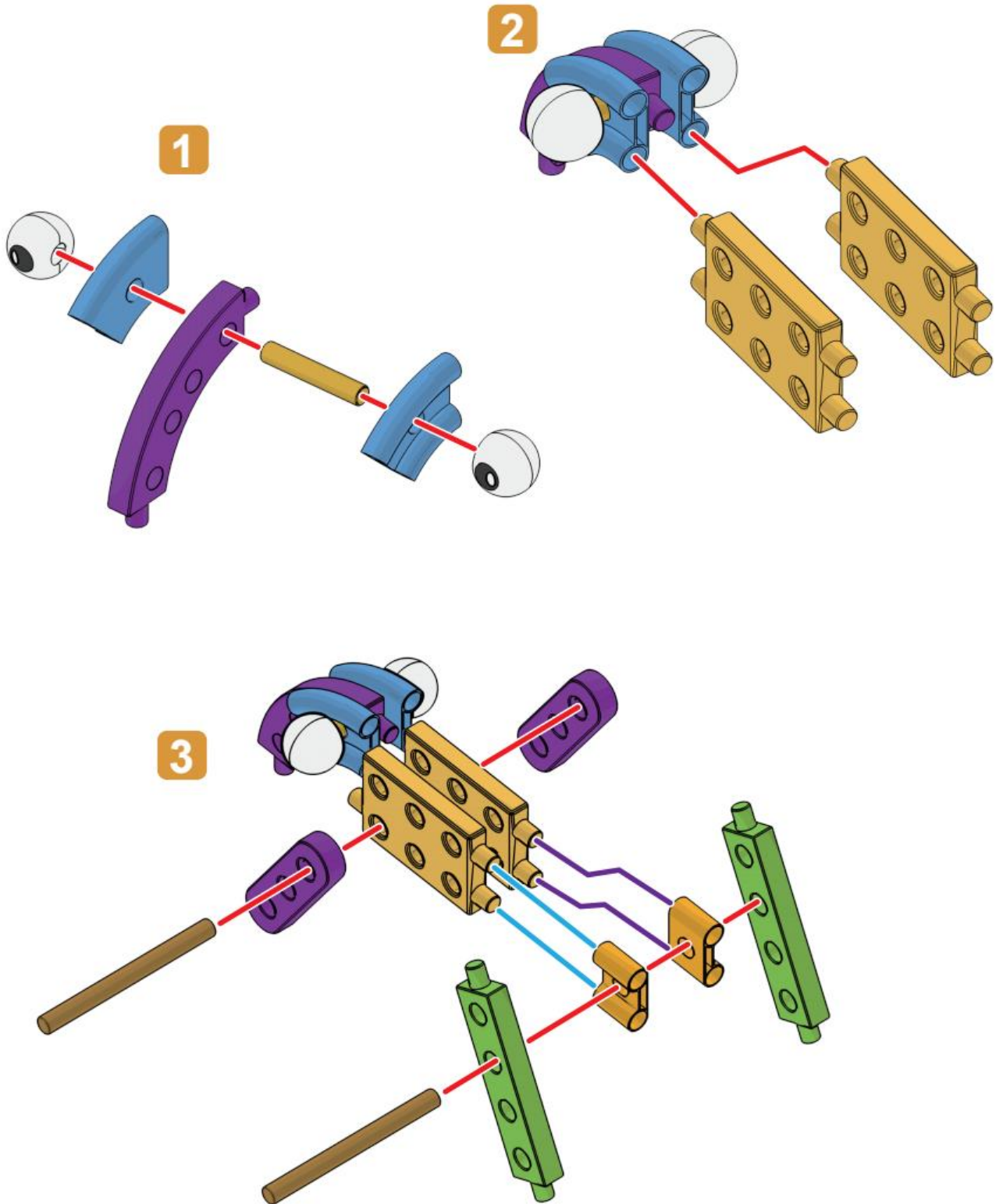
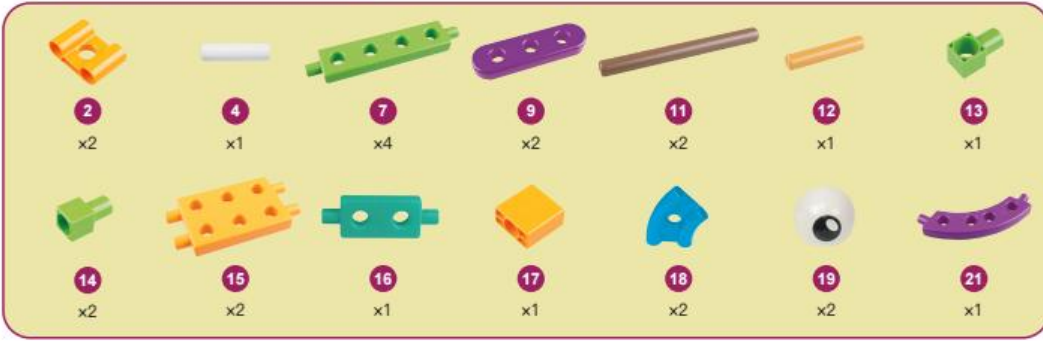


8

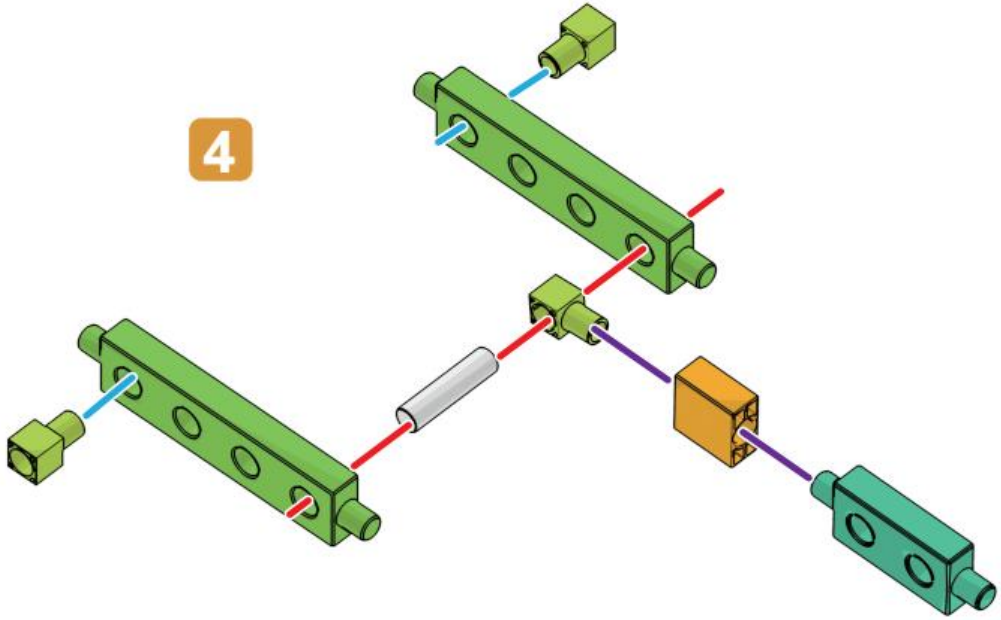


完成  
Done

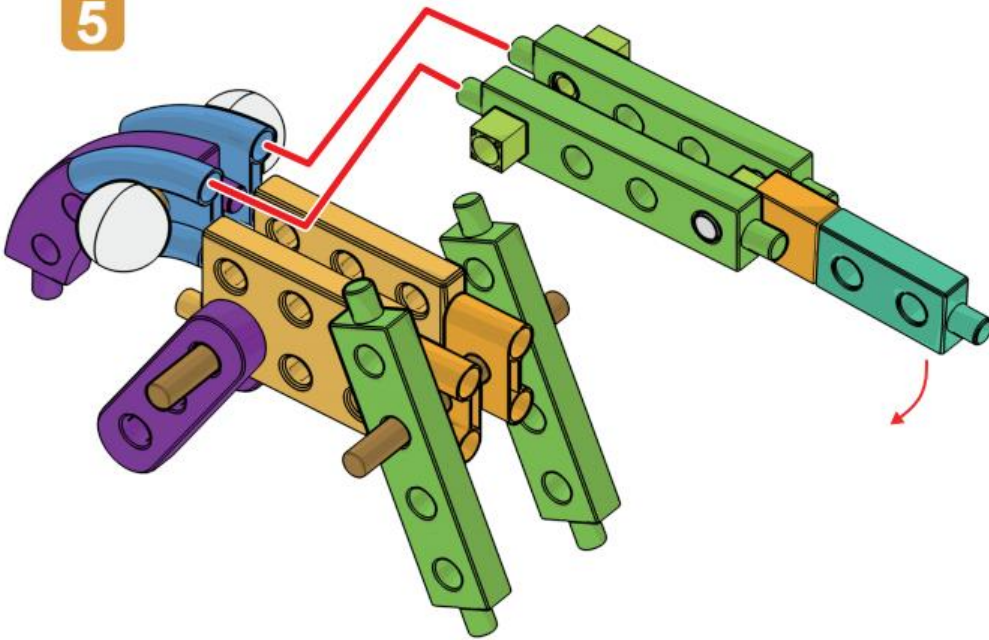




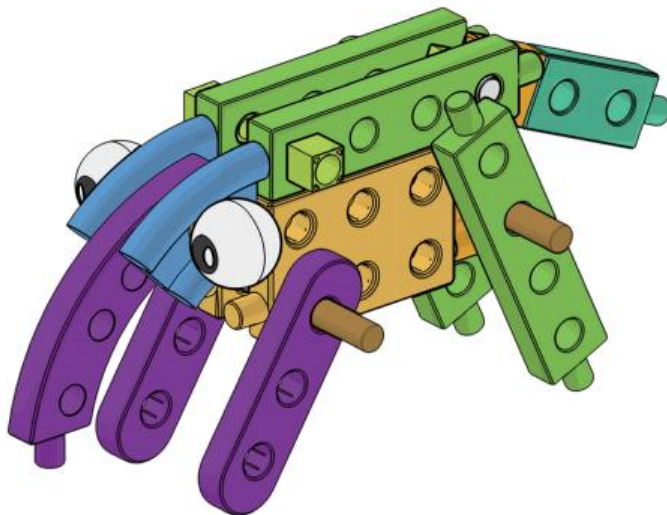
4



5

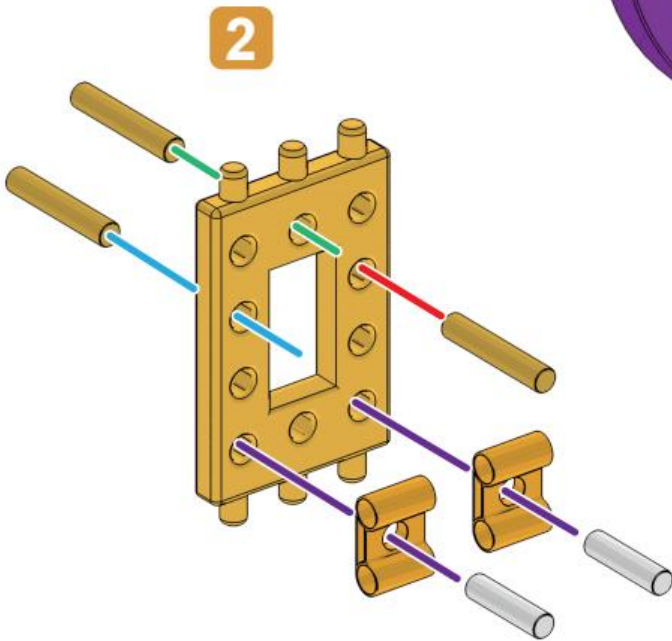
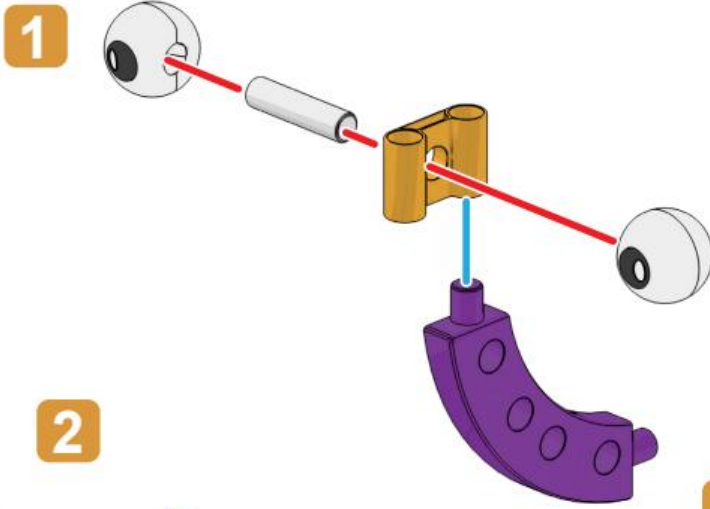
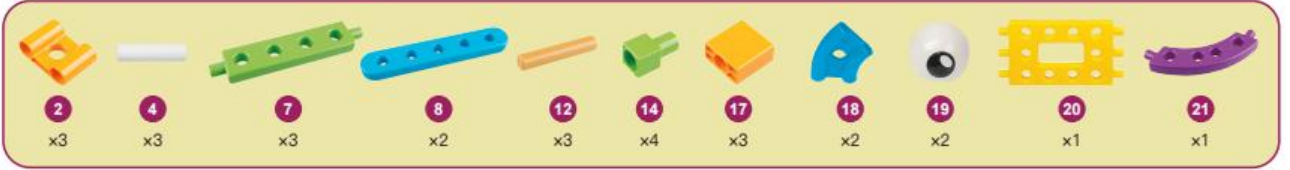


完成  
Done

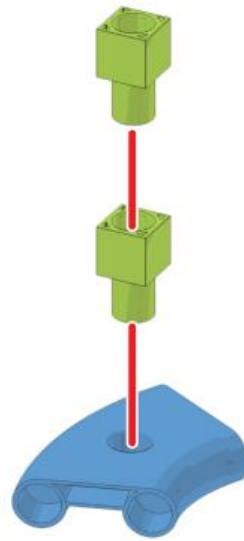


## 孔雀

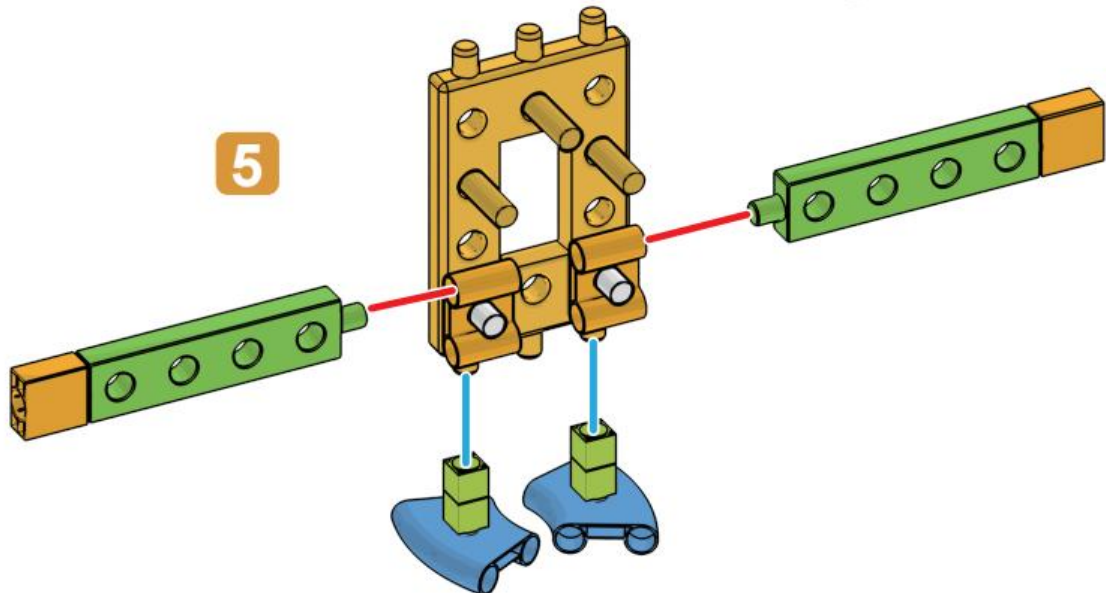
## Peacock



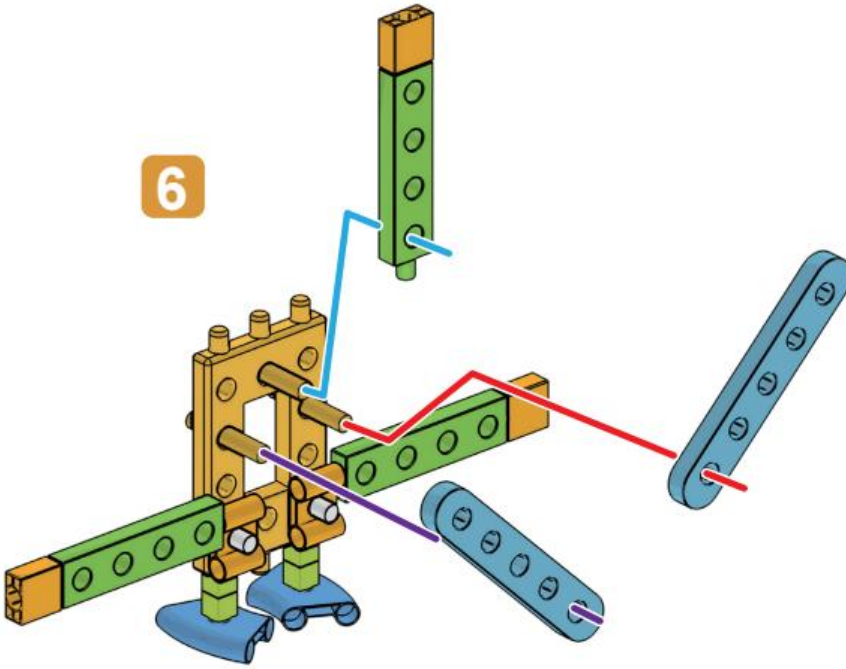
**3** x2



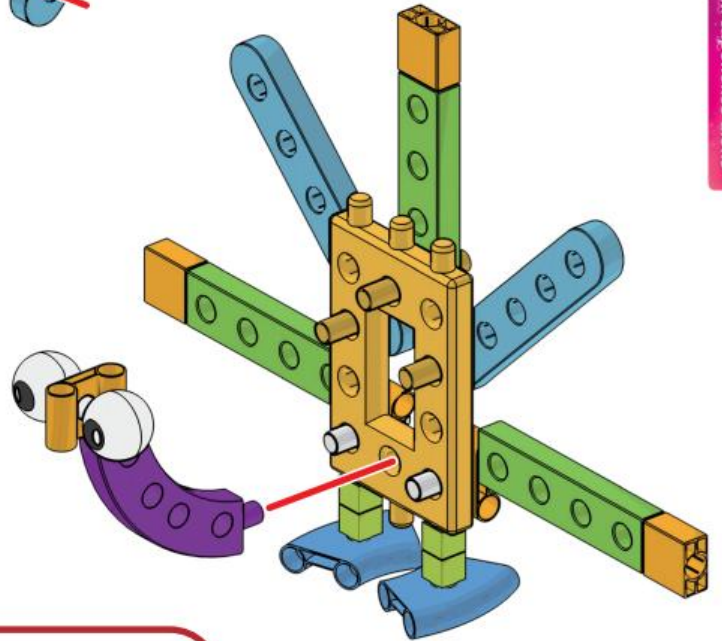
**4** x3



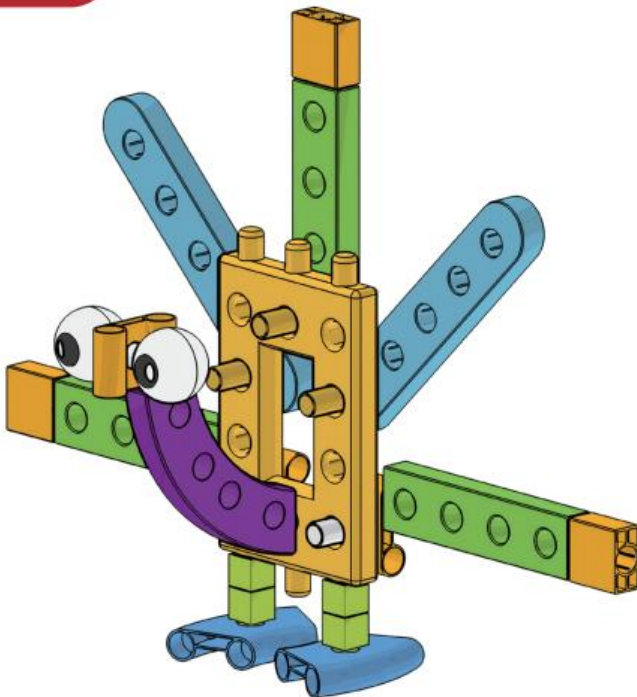
6



7

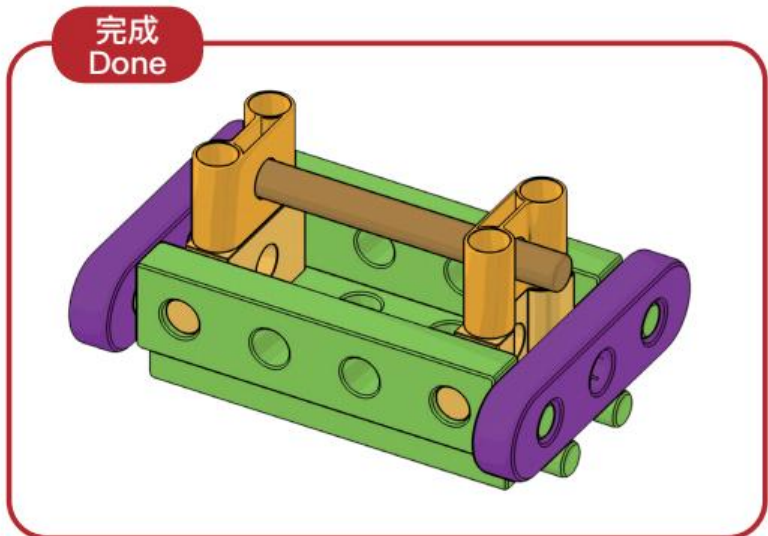
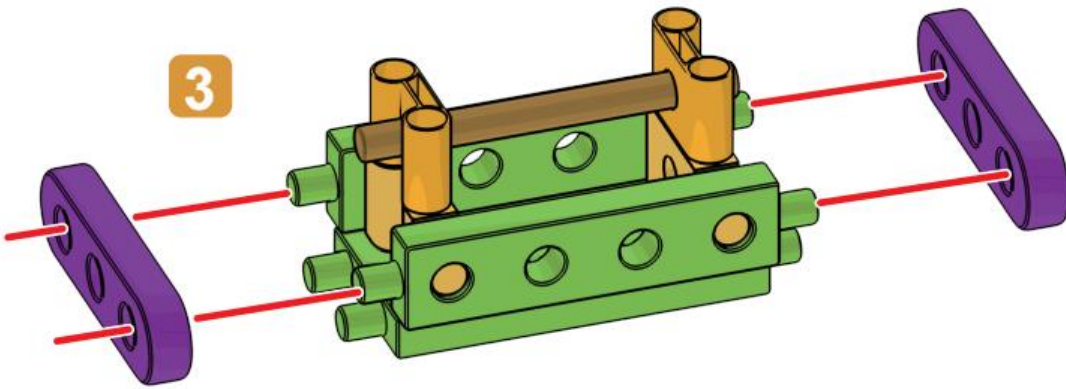
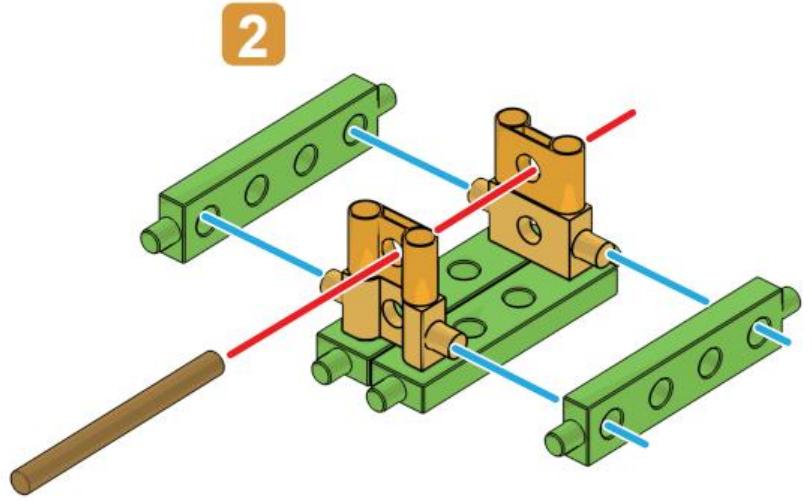
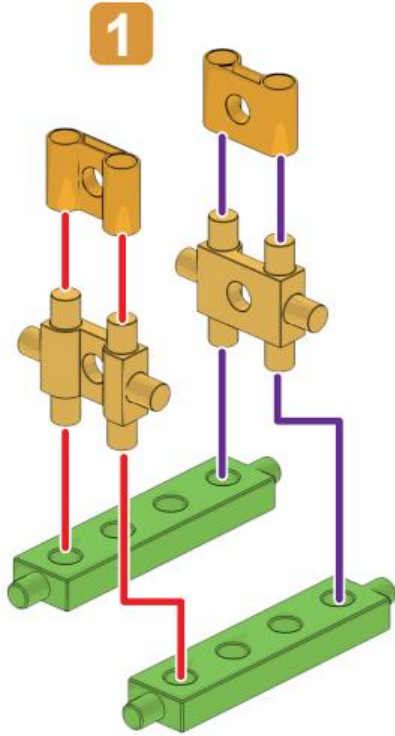
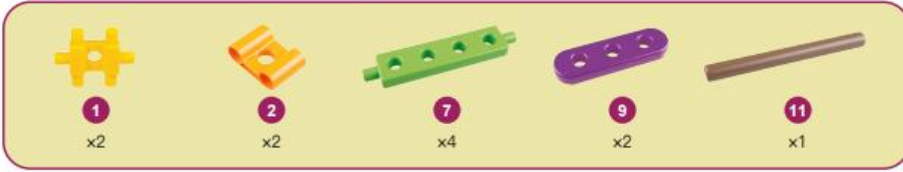


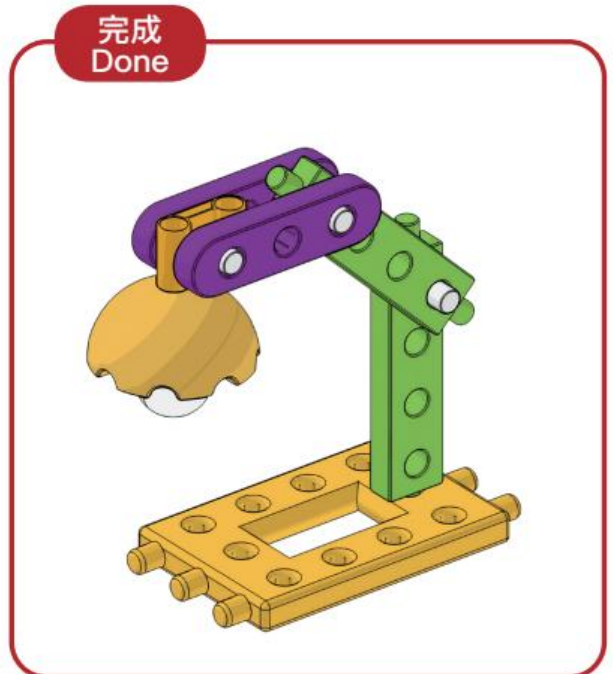
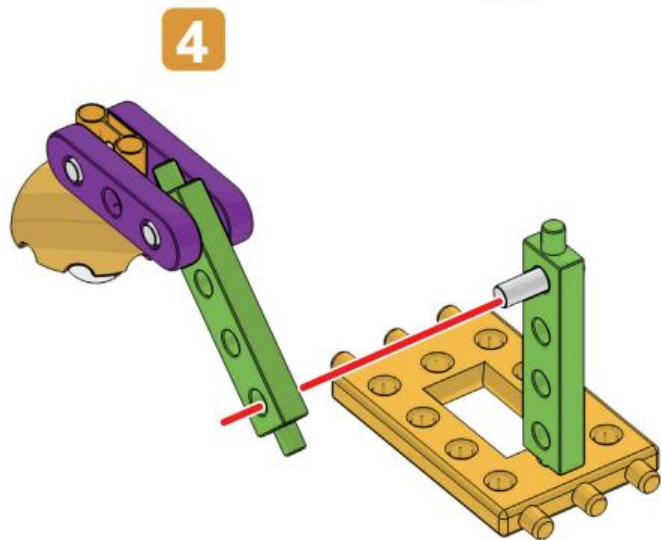
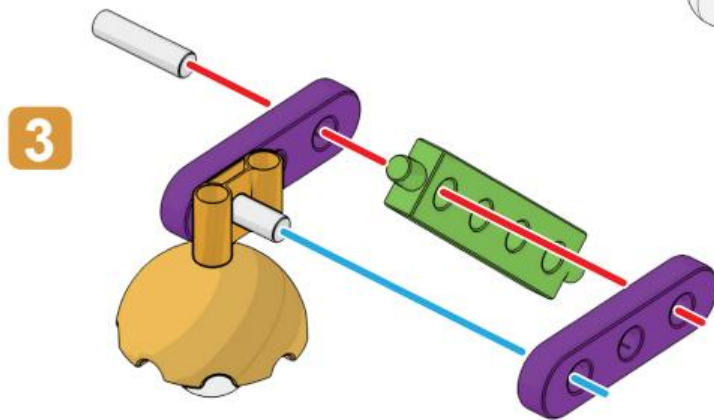
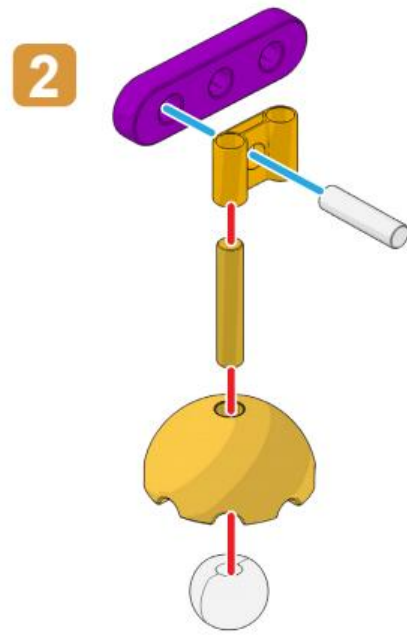
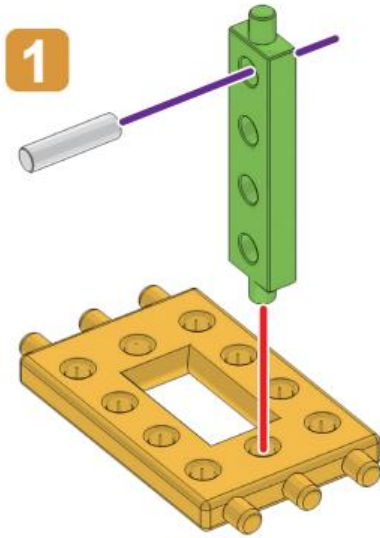
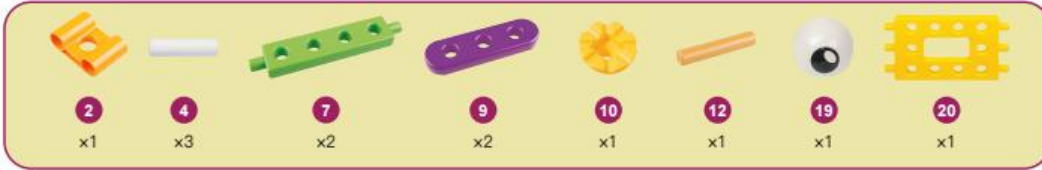
完成  
Done



## 手提籃

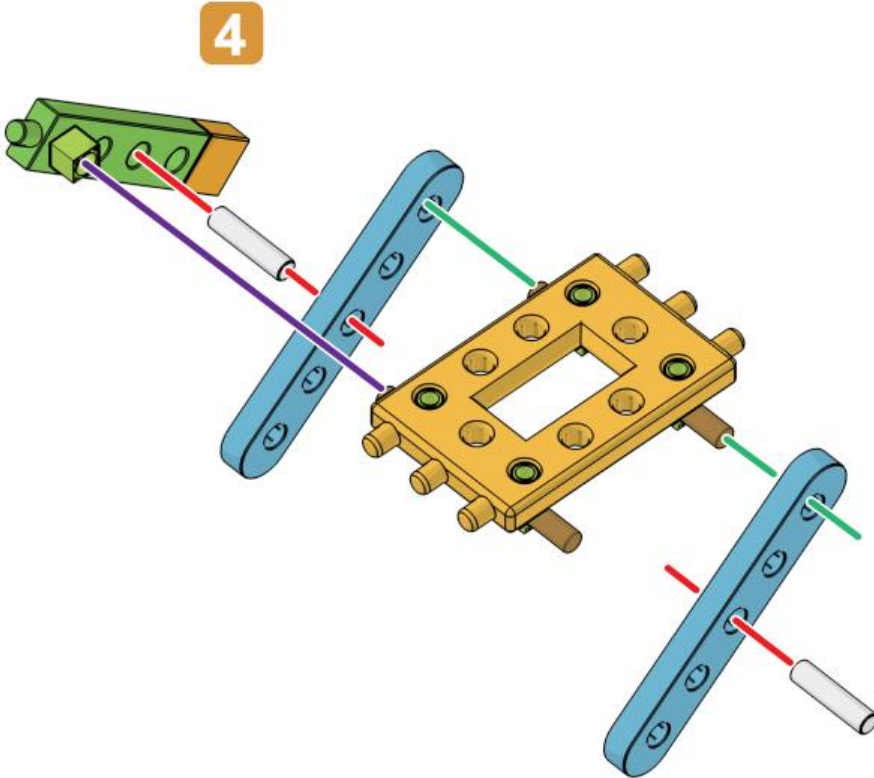
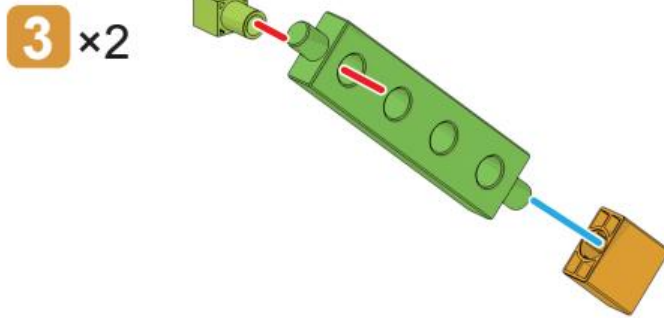
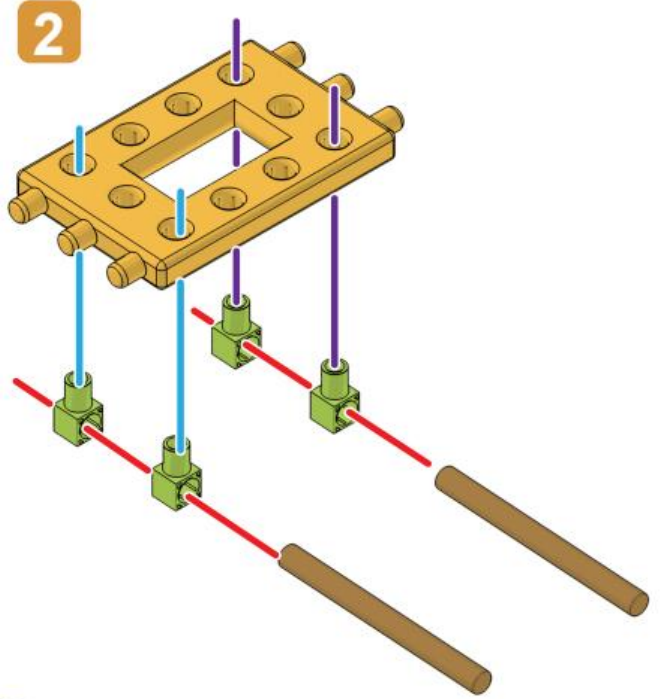
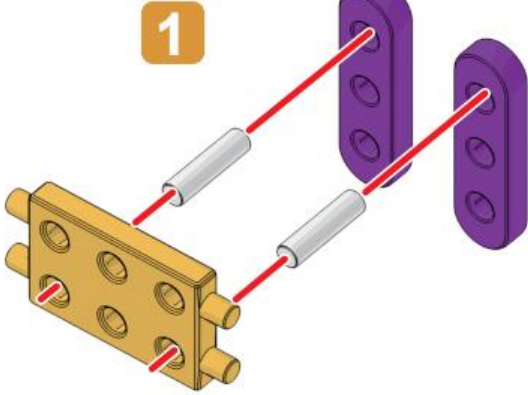
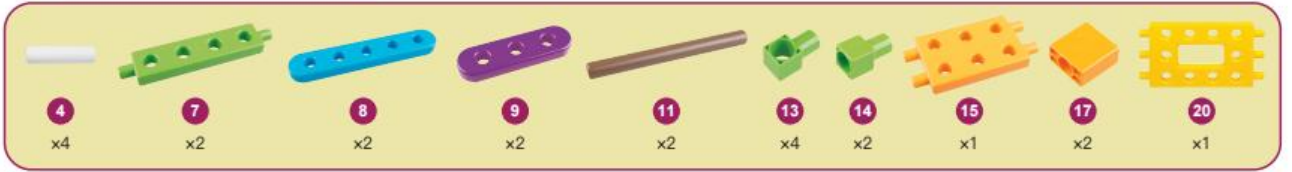
## Hand Basket



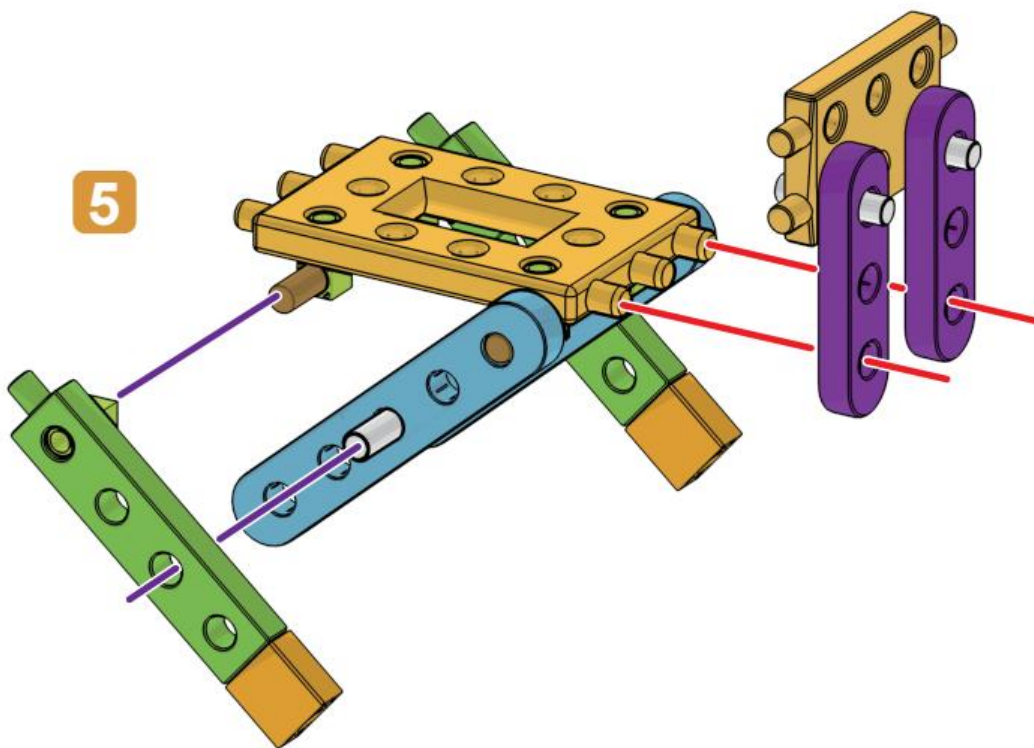


## 椅子

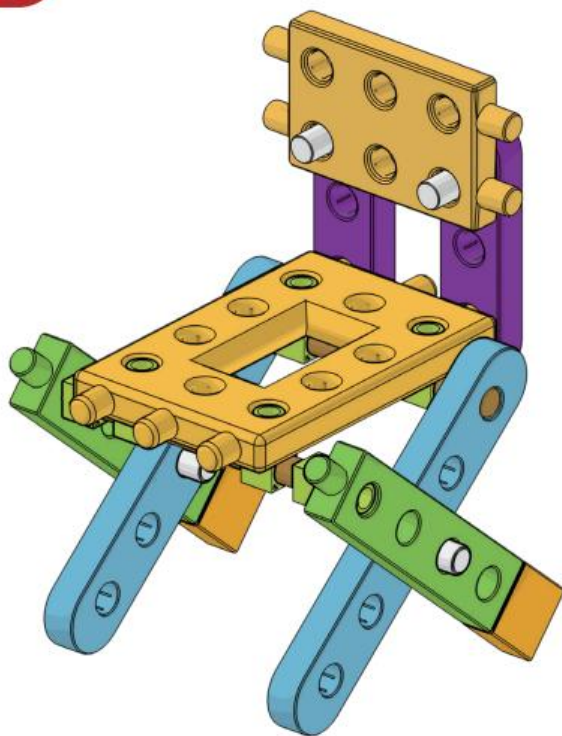
## Chair





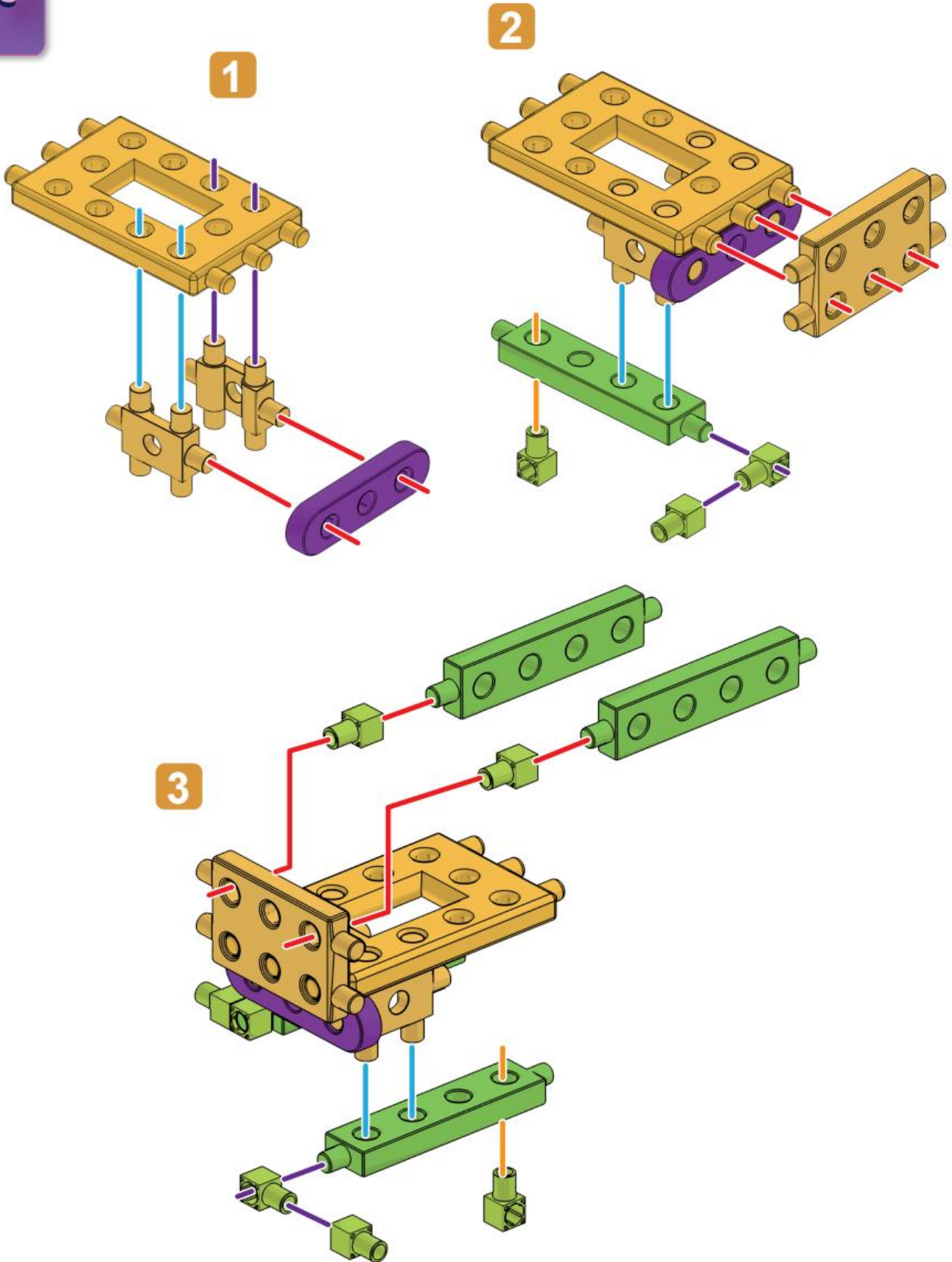


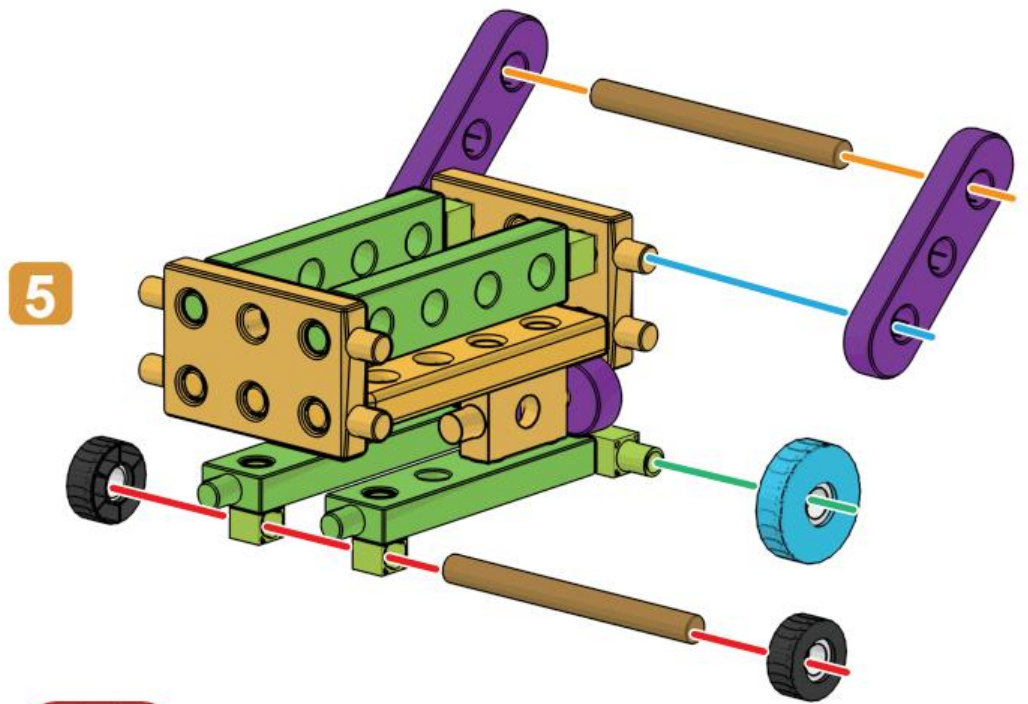
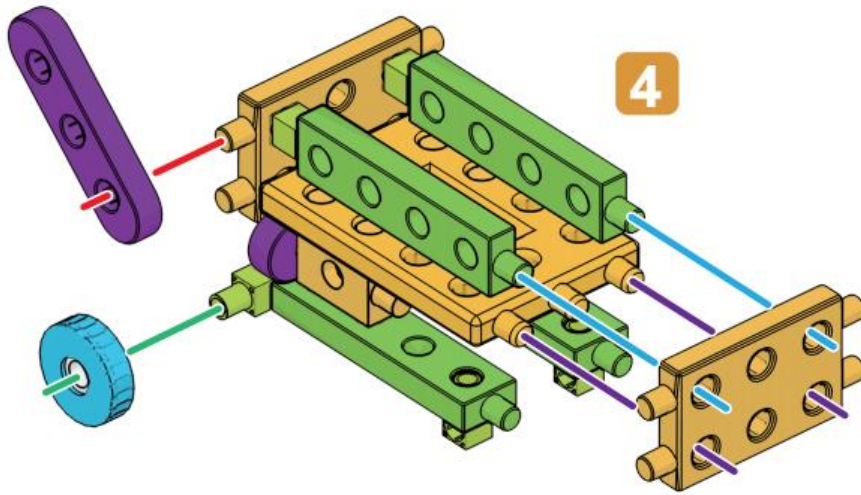
完成  
Done



## 購物車

## Shopping Cart





# FUN LAB



#1260  
創意積木組  
CREATIVE CUBE



#1261  
科學探索組  
SCIENTIFIC TOUR



#1270  
趣味機關組  
FUN WITH MECHANISM



#1262  
電學補充包  
ELECTRICITY KIT



#1264  
氣動補充包  
PNEUMATICS KIT



#1265  
風力補充包  
WIND POWER KIT



#1266  
水力補充包  
HYDRAULICS KIT



#1267  
太陽能補充包  
SOLAR POWER KIT

**GENIUS TOY TAIWAN CO., LTD.**  
[www.gigotoys.com](http://www.gigotoys.com) MADE IN TAIWAN  

© 2017 Genius Toy Taiwan Co., Ltd. All right reserved  
R21#1273