



寶貝創意組

CREATIVE ENGINEER

FUN LAB



1271

52 PCS

3+

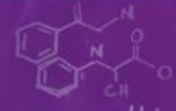
知識來自於經驗

KNOWLEDGE COMES FROM EXPERIENCE ALONE



20 MODELS TO BUILD

$(x) = \frac{d}{.3}$; $x \sqrt{x^2}$



?

plane d;
akan
Technology
x



前言 / Introduction	p.2
零件表 / Parts List	P.3~4
課程準備 /Class Preparation	P.5
小花 /Flower	p.6
小廚師 /Chef	P.7
小農夫 /Farmer	P.8
涼亭 /Arbor	P.9
小畫家 /Painter	P.10
躺椅 /Lounge chair	P.11
小木匠 /Carpenter	P.12~13
烤肉架 /Barbecue grill	P.14
毛毛蟲 /Caterpillar	P.15
帆船 /Sailboat	P.16
太空飛船 /Space ship	P.17~18
矮軌道 /Low track	P.19~20
電梯 /Elevator	P.21~22
溜滑梯 /Slide	P.23~24
高軌道 /High track	P.25
金魚 /Goldfish	P.26
馬 /Horse	P.27~28
駱駝 /Camel	P.29~30
牛 /Cattle	P.31~32
帝雉 /Emperor pheasant	P.33~34

各位小朋友，歡迎你加入 Gigo 智高的 FUN LAB 積木實驗室。

在 FUN LAB 積木實驗室中有許多的智高積木，這些形色多樣的積木，它們能重複使用，做出千萬種變化，同時還能省時省力，是我們接下來要進行一連串有趣好玩實驗的最佳幫手哦！在我們親手組裝及操作積木的過程中，不僅能夠體會組裝創作的樂趣，還能夠學習到許多知識，例如：色彩搭配的美學、簡單的機械原理、綠色能源的應用、科技積木的體驗、創意的機關製作...等。而且，我們還可以和好朋友團隊合作，加入自己的想法，激發創意，打造出獨一無二的積木模型。跟隨我們在這座實驗室裡一步一步地探索，快樂地學習各種知識，除了能培養我們正確的學習態度及解決問題的能力，更能將這些知識活用於日常生活，進而學習創新的技巧與能力。

看到這裡，相信各位小朋友都已經迫不及待了，那麼，就讓我們一起進入充滿樂趣的 FUN LAB 積木實驗室吧！

Welcome to join the Gigo's FUN LAB of the building blocks.

There are a variety of blocks in FUN LAB which have diverse types of forms repeatedly used to make tens of millions of changes. Therefore, those variations can enable us to conduct a series of fun and interesting experiments! During the process of the assembly, not only can you experience the fun of assembling creation, but also you are capable of gaining lots of knowledge, such as : color-matching aesthetic, simple mechanical principles, the application of green energy, making creative models ... and so on. Moreover, you also can collaborate with friends as a team, incorporate your own ideas and develop creativity to create your own unique model. Follow us step by step to explore in this lab, and you will be happy to learn all aspects of knowledge. In addition to your ability to cultivate the positive attitude towards learning and problem-solving skills, more knowledge will be used in your daily life, and then you can acquire the innovative skills and abilities.

Now, I am sure you cannot wait. Let's get into the world of the Fun Lab!

1



A-半圓球體
A-HEMISPHERE
x1

2



A-160mm圓棒
A-160mm CONNECTOR
x3

3



A-3孔圓長條
A-3 HOLE ROUND ROD
x2

4



A-正方顆粒
A-CUBE
x1

5



A-80mm圓棒
A-80mm CONNECTOR
x3

6



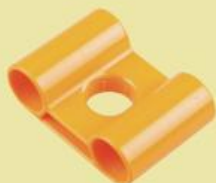
A-5孔結合器
A-ROD
x1

7



A-弧長方顆粒
A-ARC FLAT PEG
x1

8



A-軌道結合器
A-TRACK CONNECTOR
x4

9



A-90度結合器
A-LATERAL PEG
x3

10



A-單孔單向軌道
A-TRACK END
x2

11



A-2x3孔長方框
A-3X2 HOLE BASE
x2

12



A-單孔結合器
A-ROD CONNECTOR
x5

13



A-單孔固定軌道
A-1 HOLE TRACK
x3

14



A-1/8弧軌道結合器
A-CURVED TRACK
CONNECTOR
x2

15



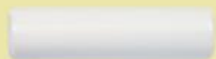
A-6孔直線軌道
A-6 HOLE TRACK
x1

16



A-4孔長條
A-4 HOLE ROD
x2

17



A-60mm圓棒
A-60mm CONNECTOR
x4

18



A-1凸單孔弧三角顆粒
A-ARC TRIANGLE FLAT PEG
x4

19



A-2孔長條
A-2 HOLE ROD
x4

20



A-3孔斜坡軌道
A-SLIDE TRACK
x2

21



A-活動眼球
A-EYE
x2

課前準備

轉接器拆解技巧

Peg dismantling tips

90度轉接器

Lateral peg



直線轉接器

Front peg



軌道的方向

The direction of the track



組裝時請注意正反面

Note the front and the back while assembling.

眼睛

Eye



眼珠可調整角度

Eye can be adjusted at any angle.

圓棒

Connector



轉動圓棒，較容易組裝進去

Turn the connector around to make assembling easier.

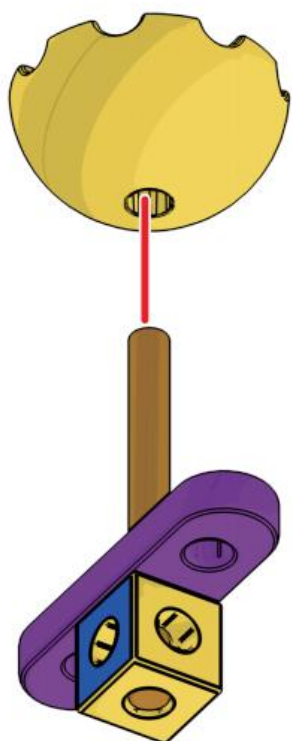
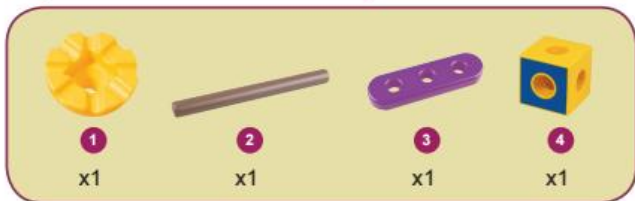


輕敲桌面，較易於拆裝

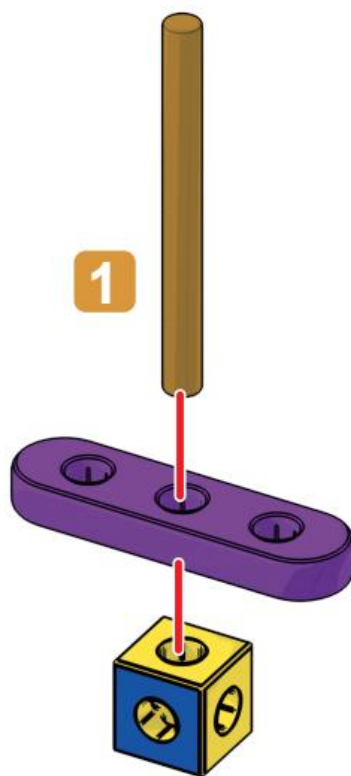
Tap the connector on the desktop to make disassembling easier.

小花

Flower



2



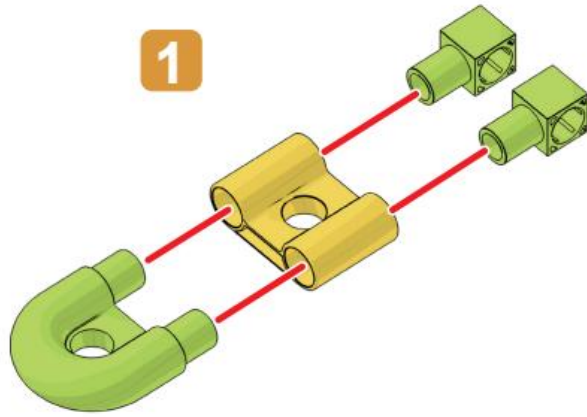
1

完成
Done

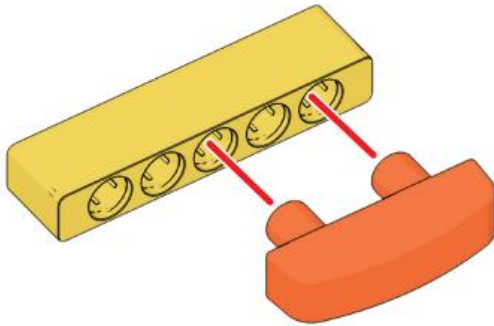




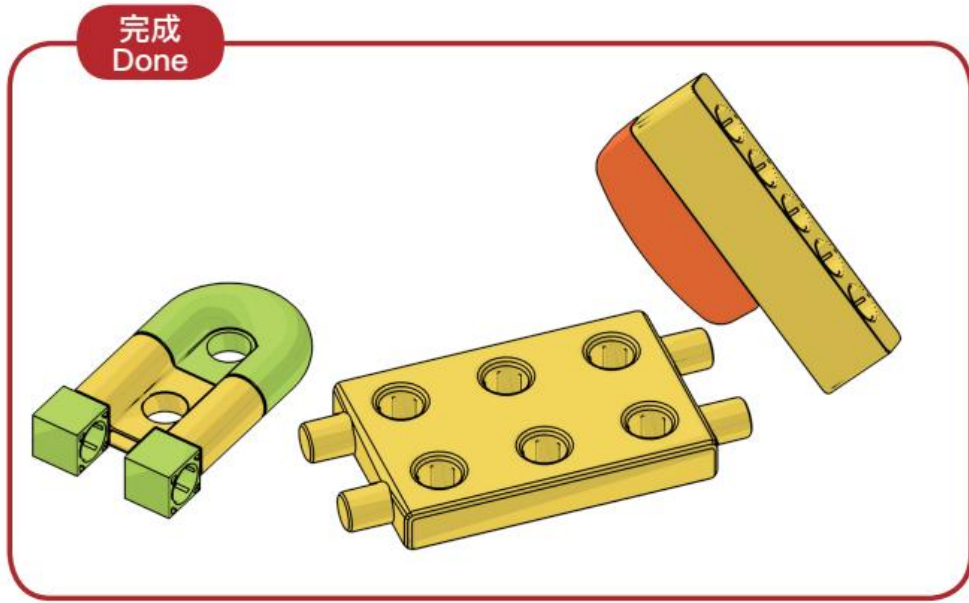
1



2

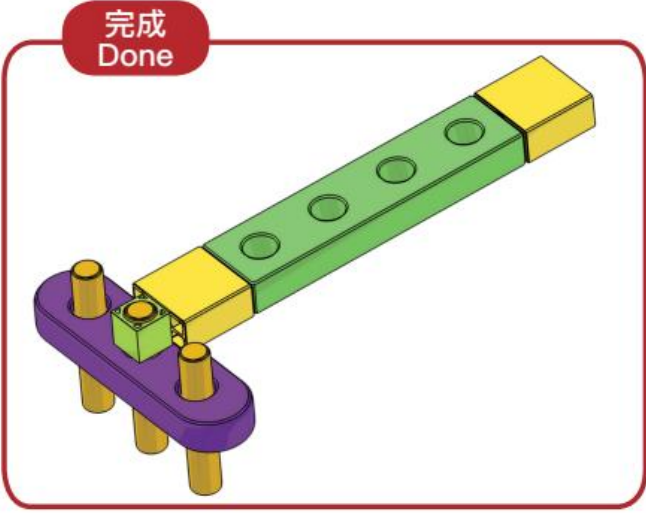
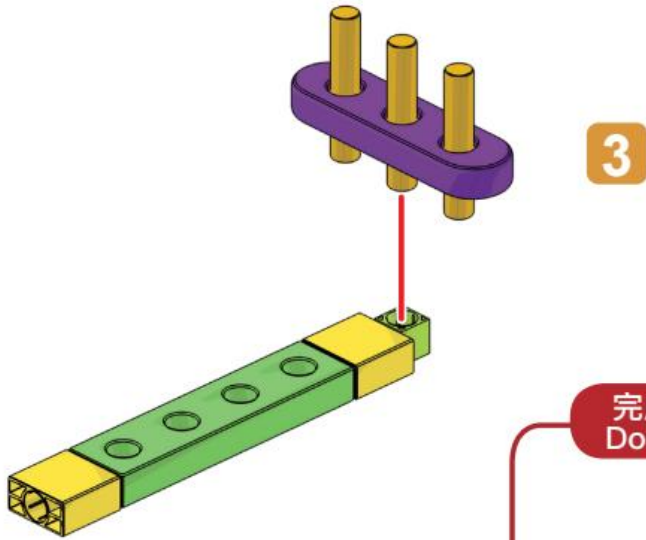
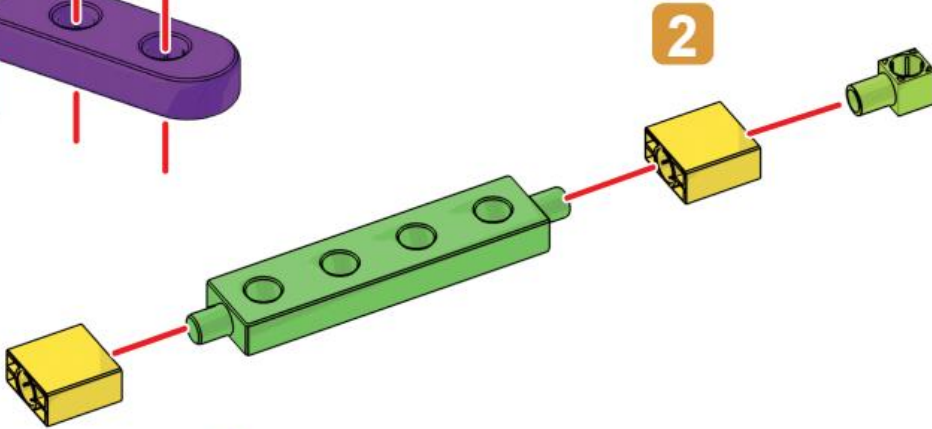
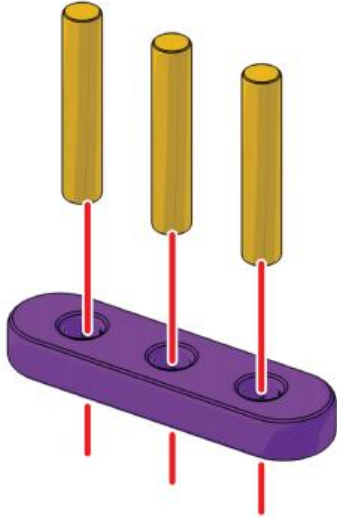


完成
Done



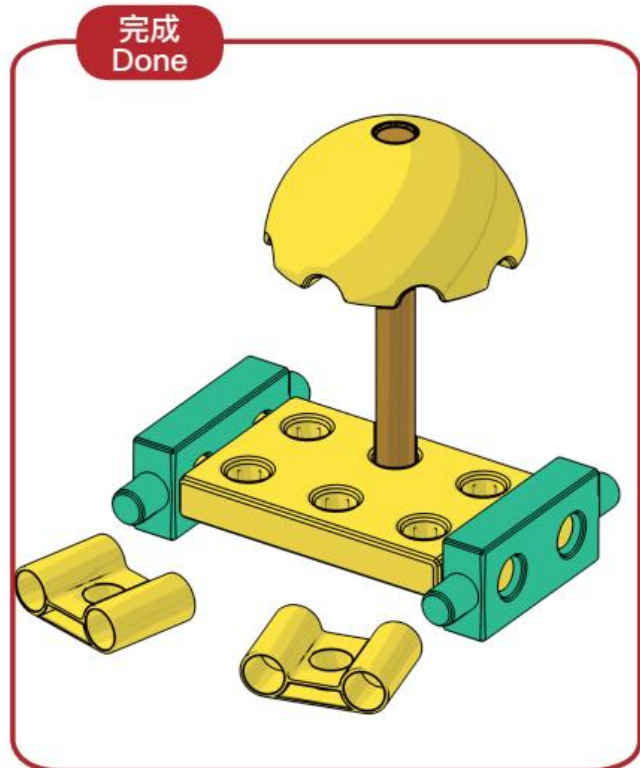
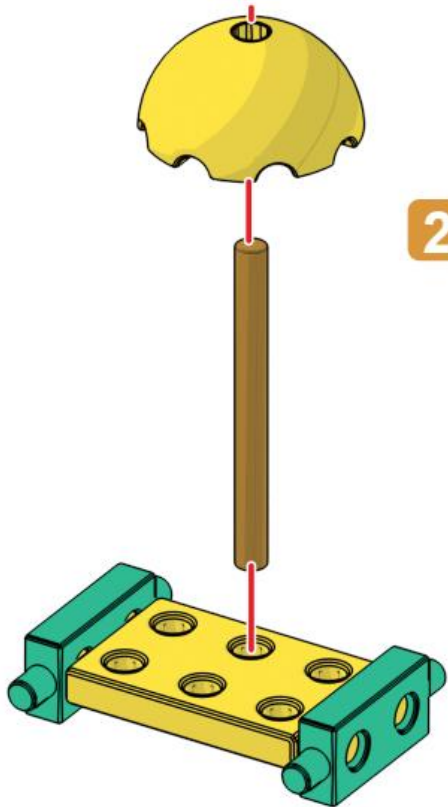
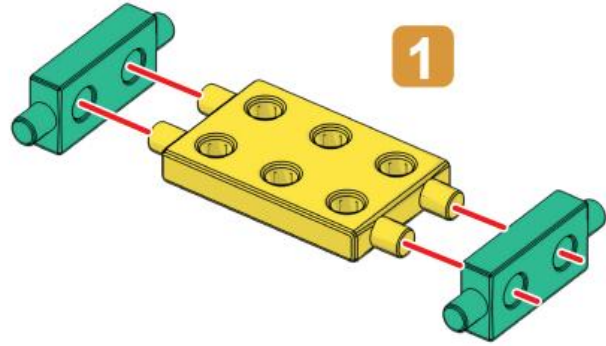
小農夫

Farmer



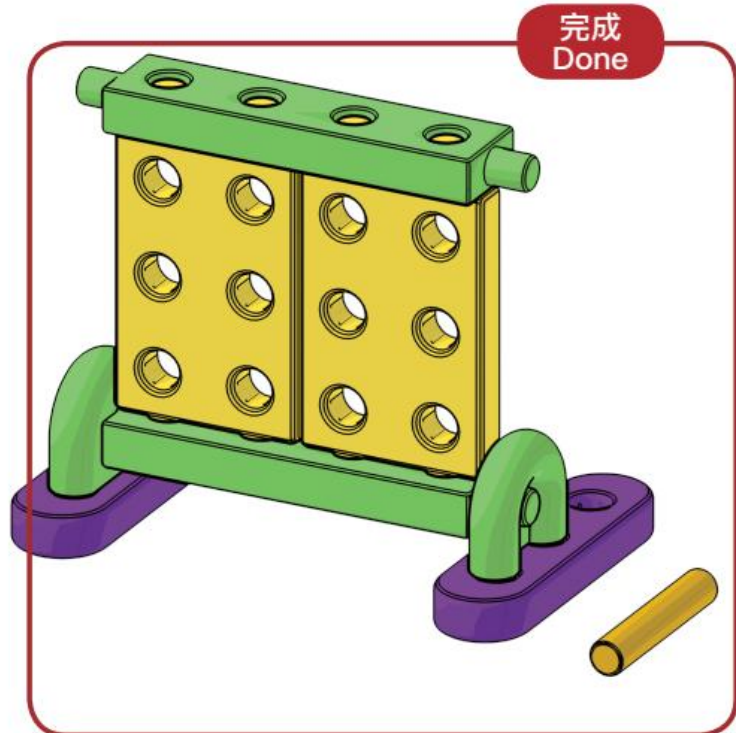
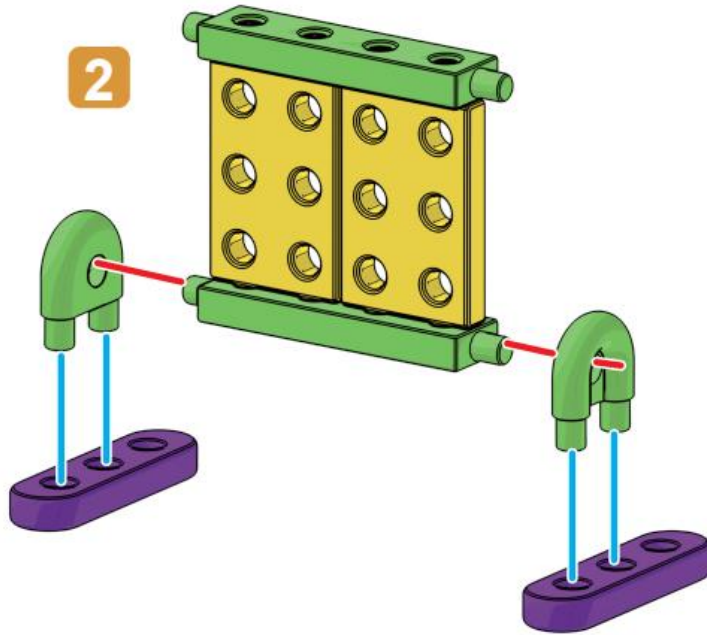
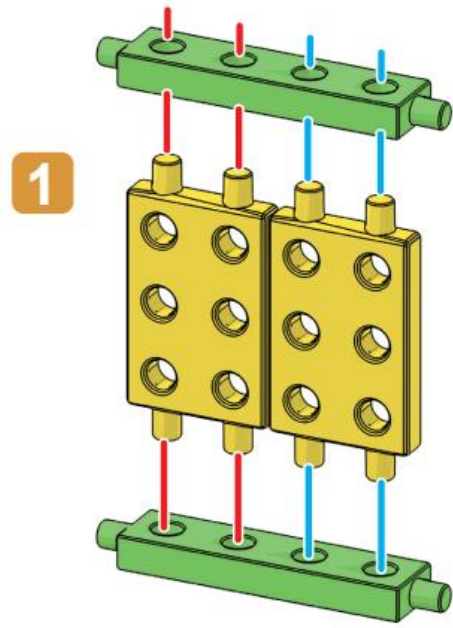
涼亭

Arbor



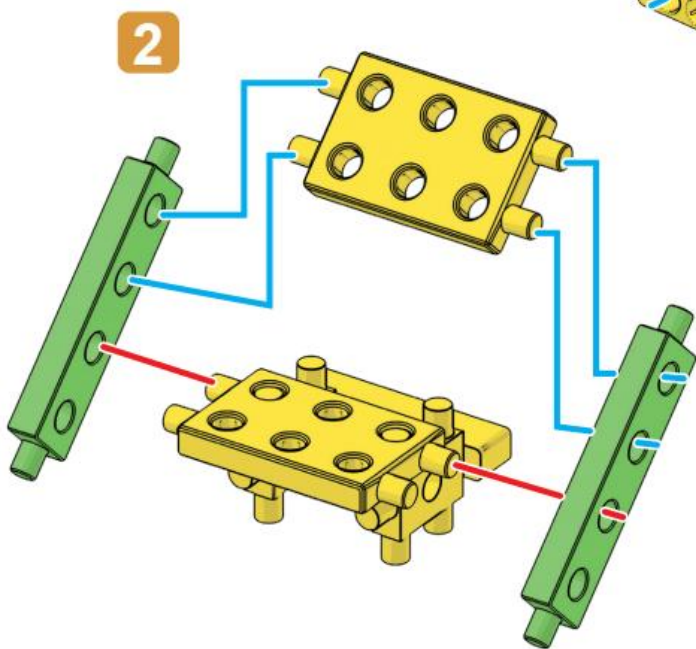
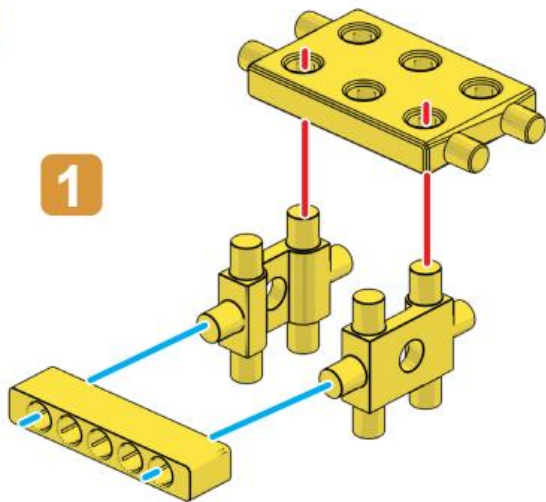
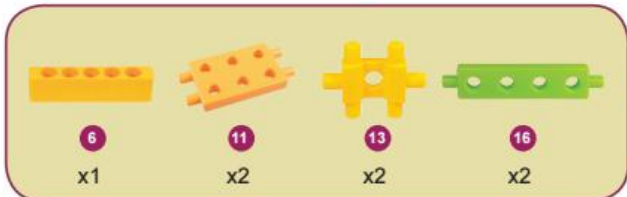
小畫家








Painter

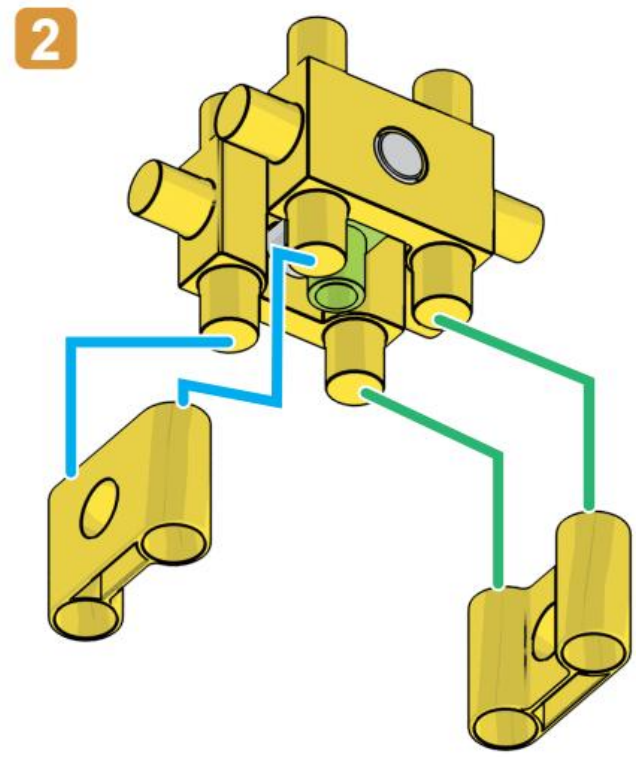
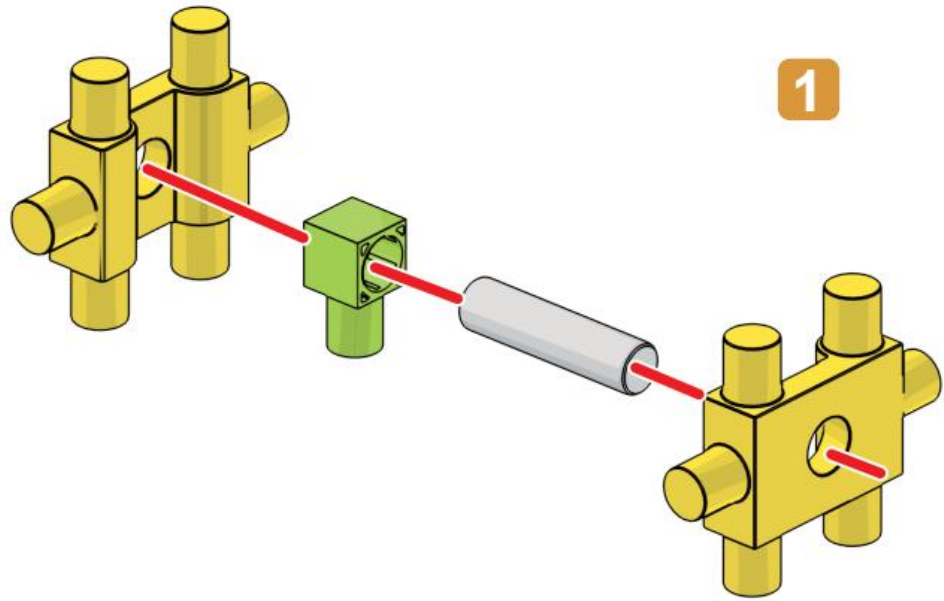


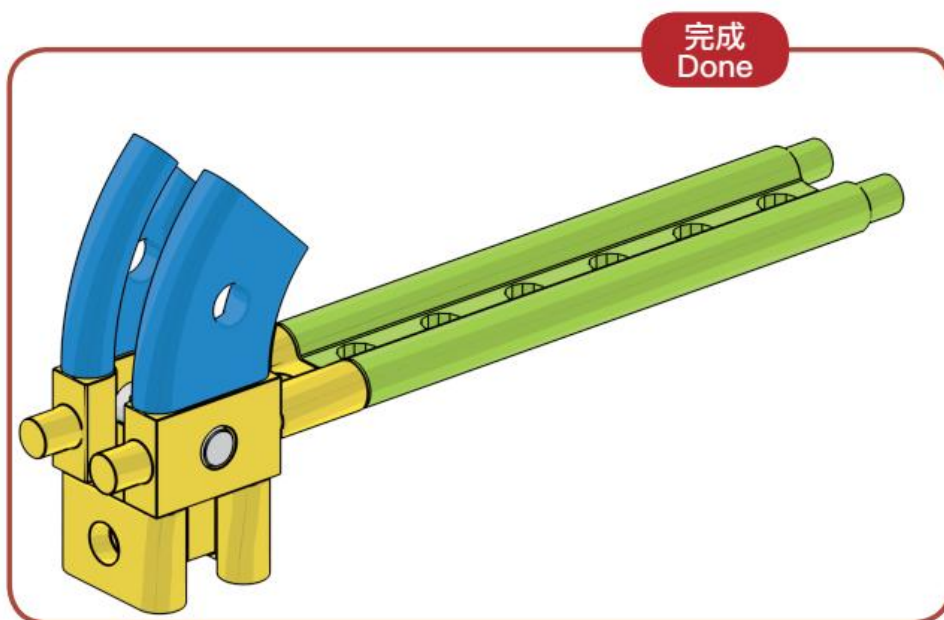
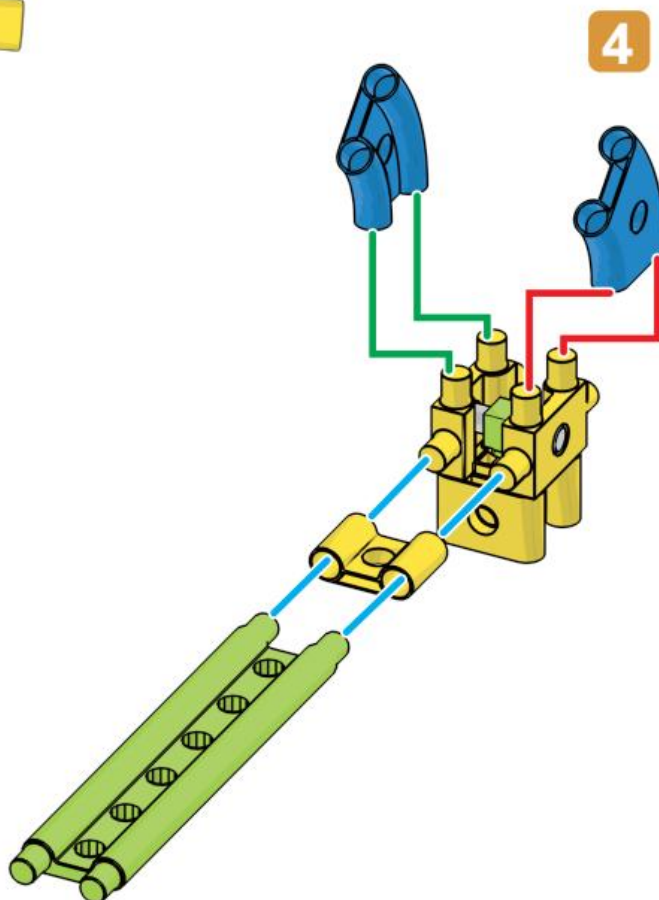
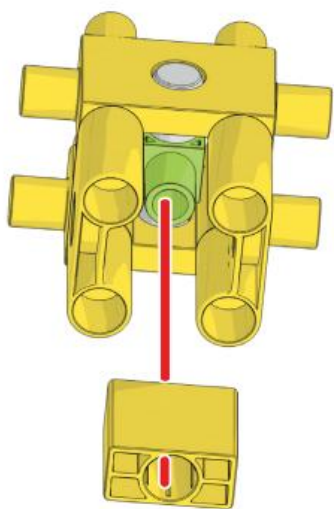
躺椅

Lounge chair



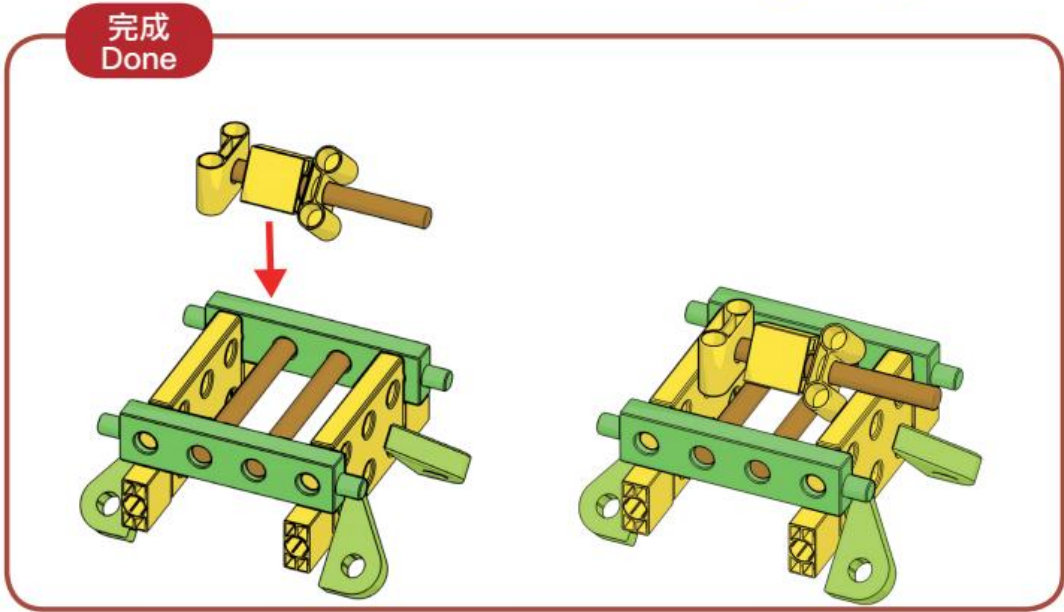
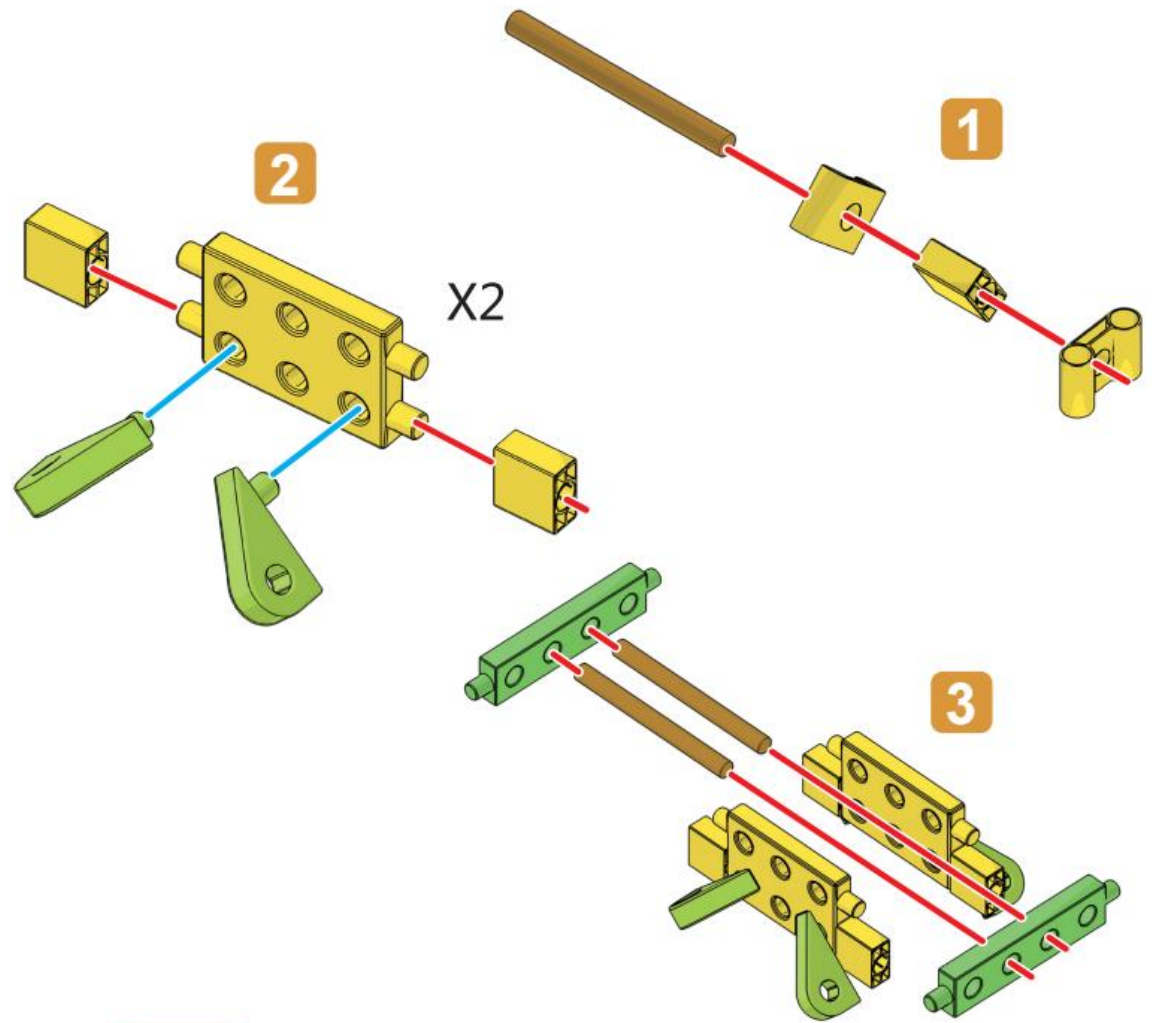
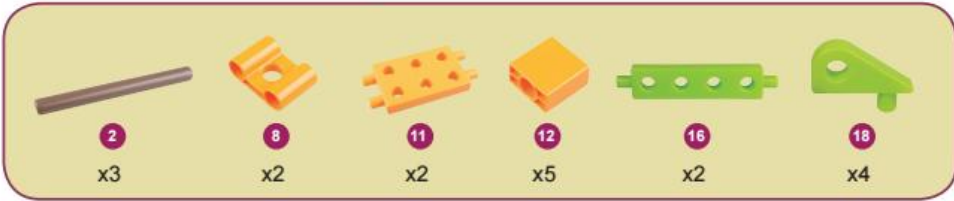
						
8	9	12	13	14	15	17
x3	x1	x1	x2	x2	x1	x1





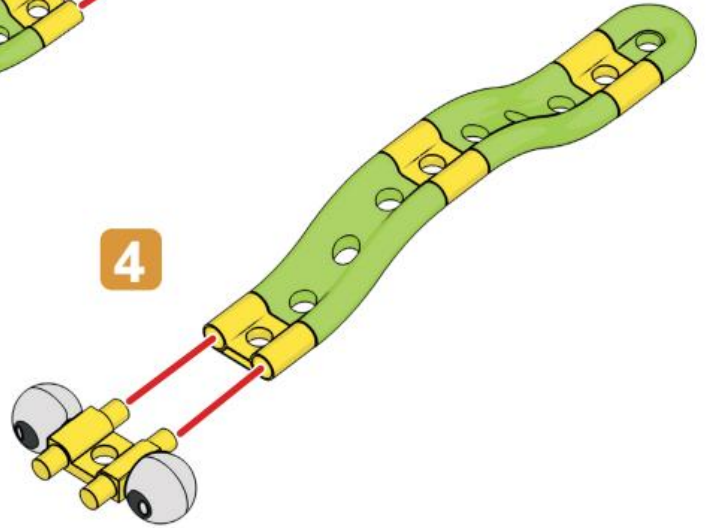
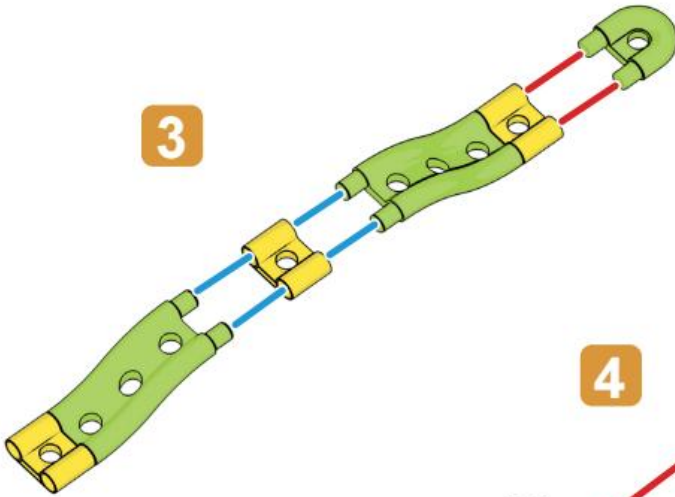
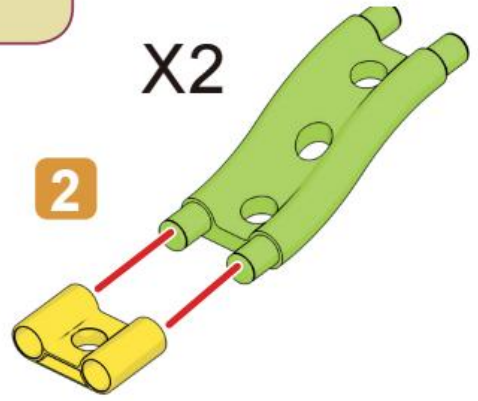
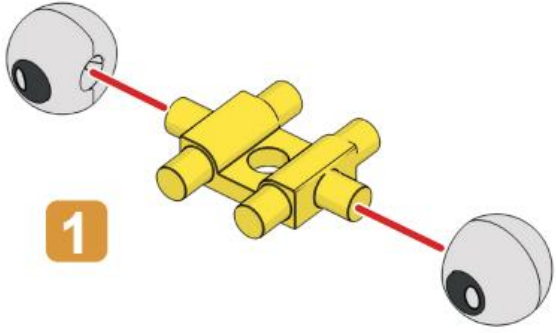
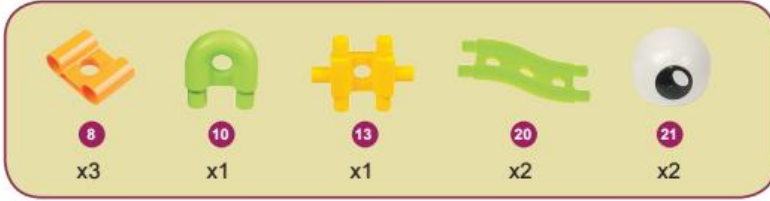
烤肉架

Barbecue grill

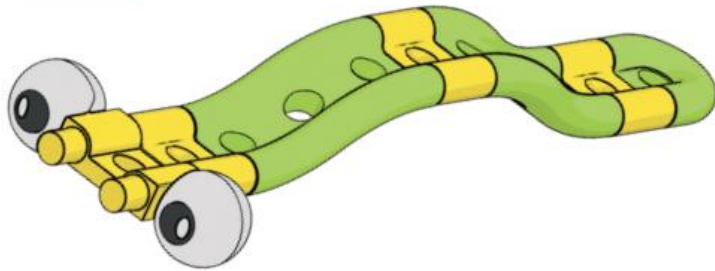


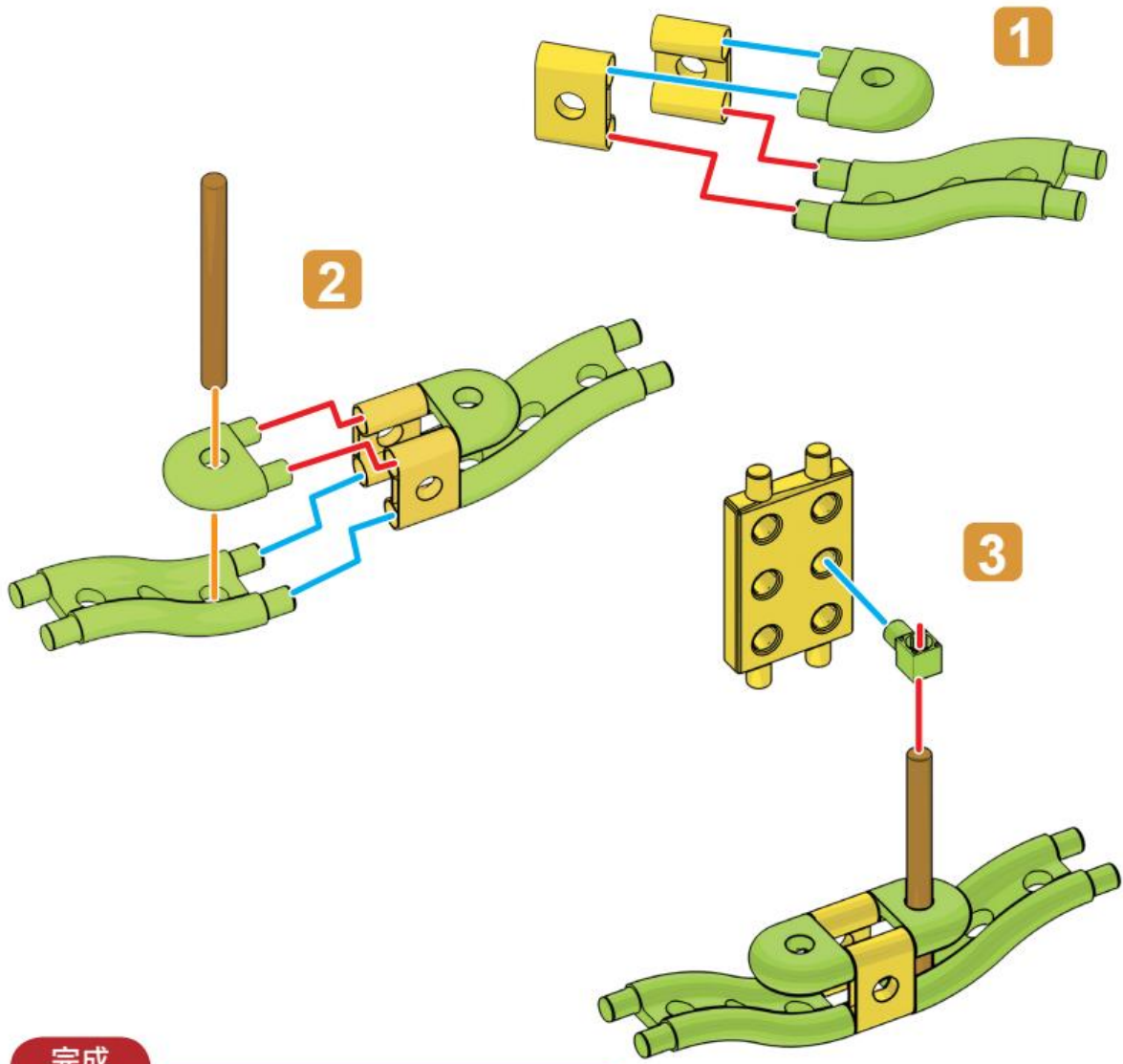
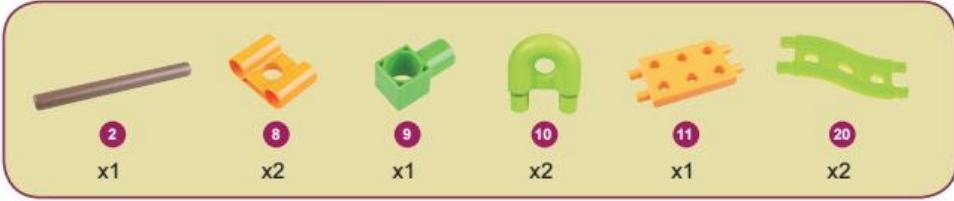
毛毛蟲

Caterpillar

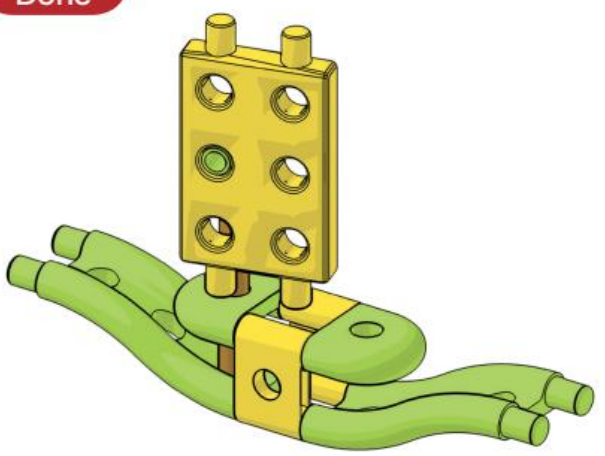


完成
Done





完成
Done

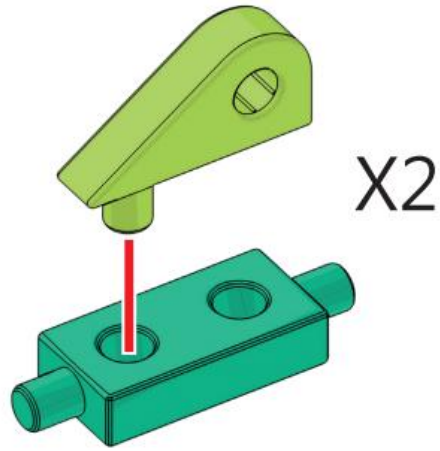


太空飛船

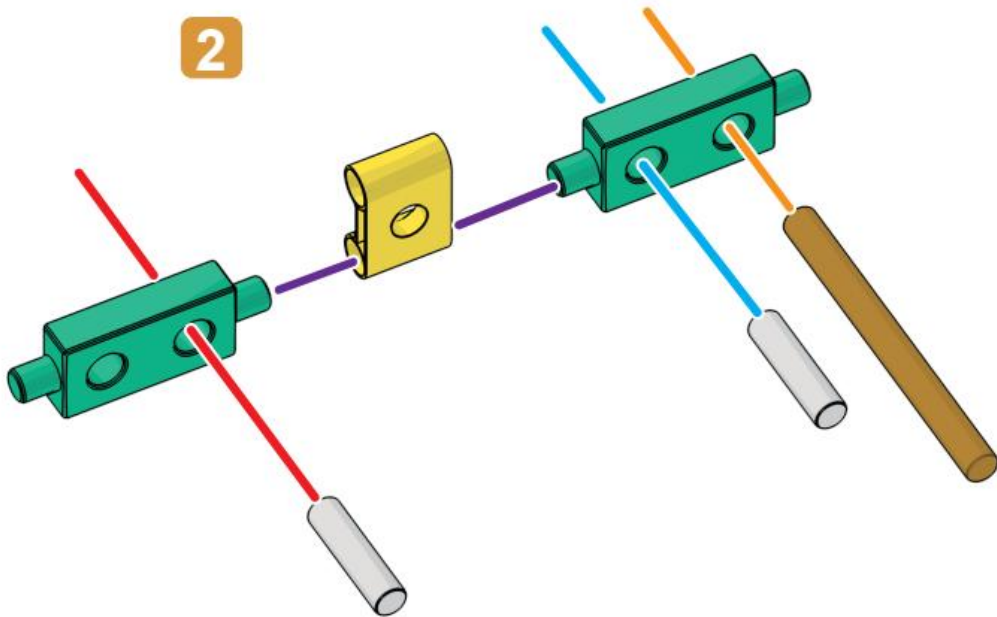
Space ship



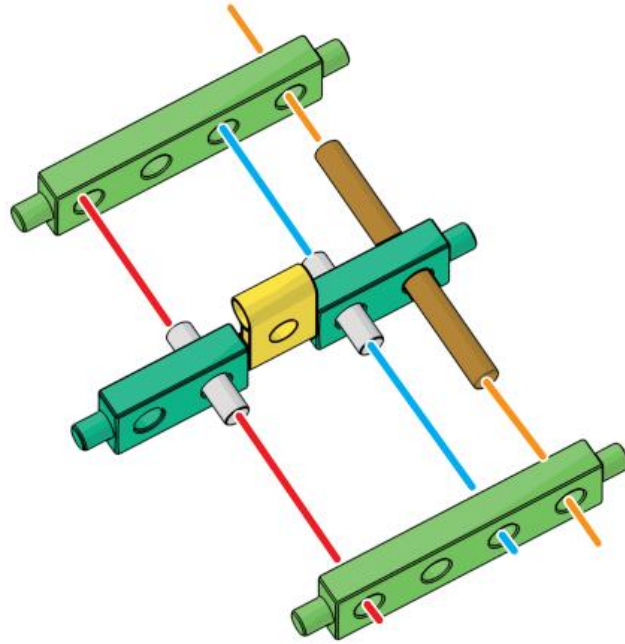
1



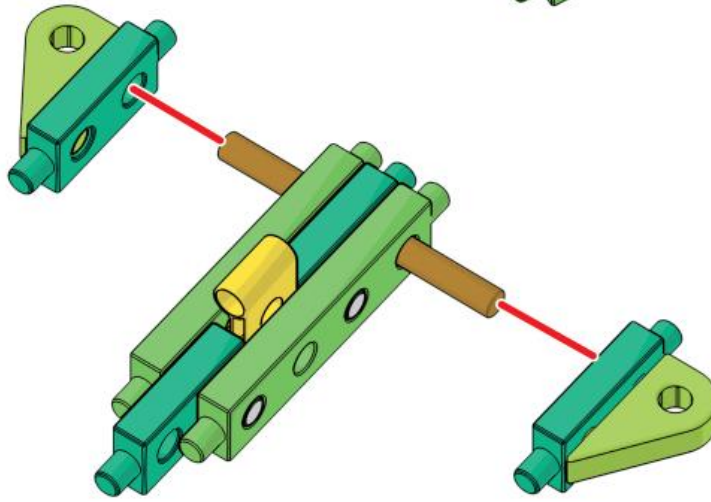
2



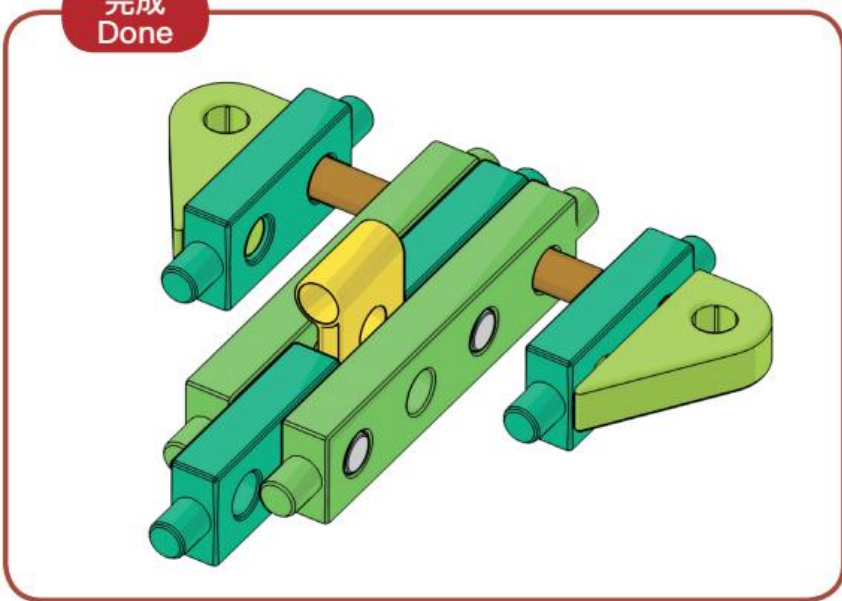
3



4

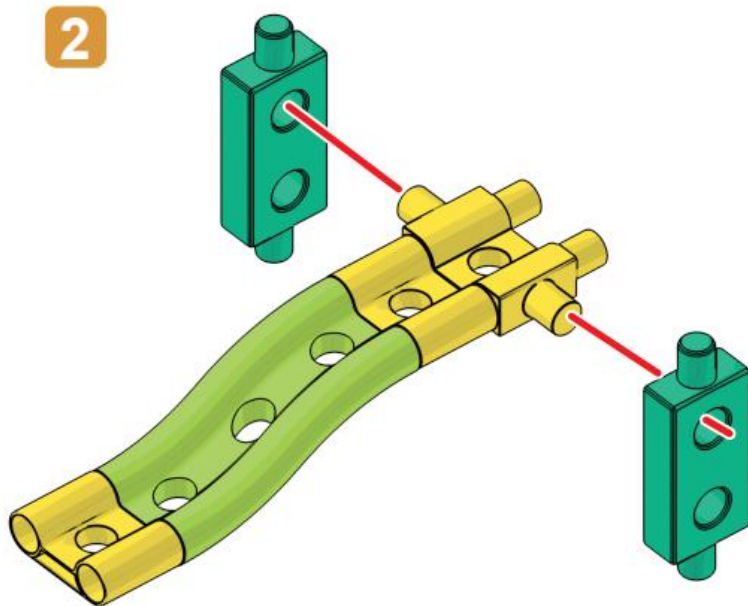
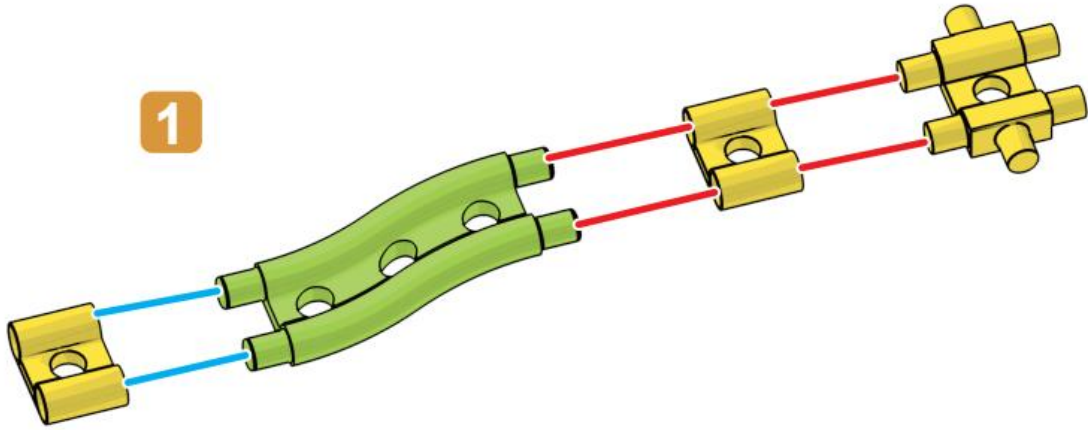


完成
Done

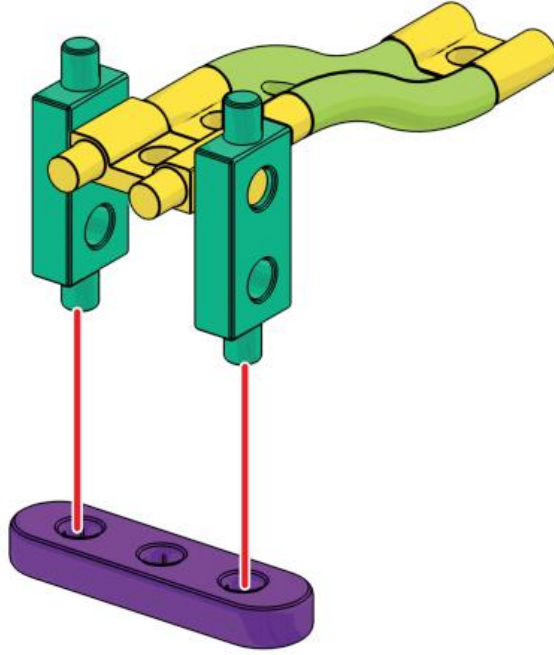


矮軌道

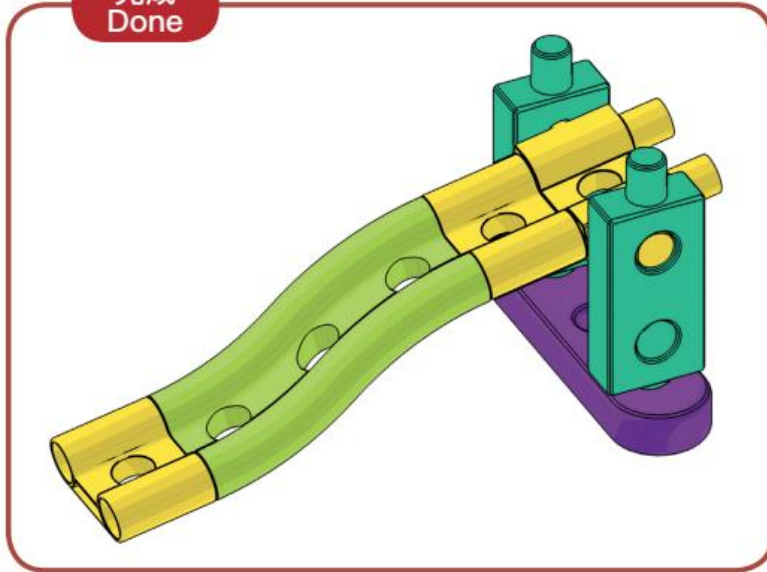
Low track

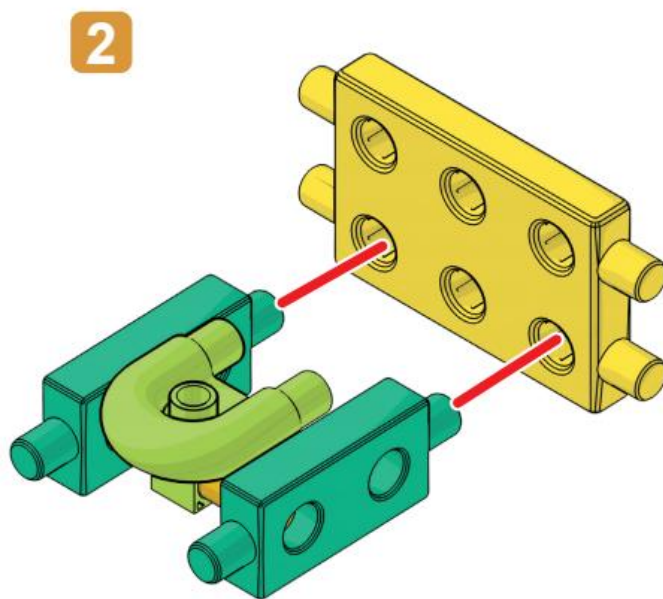
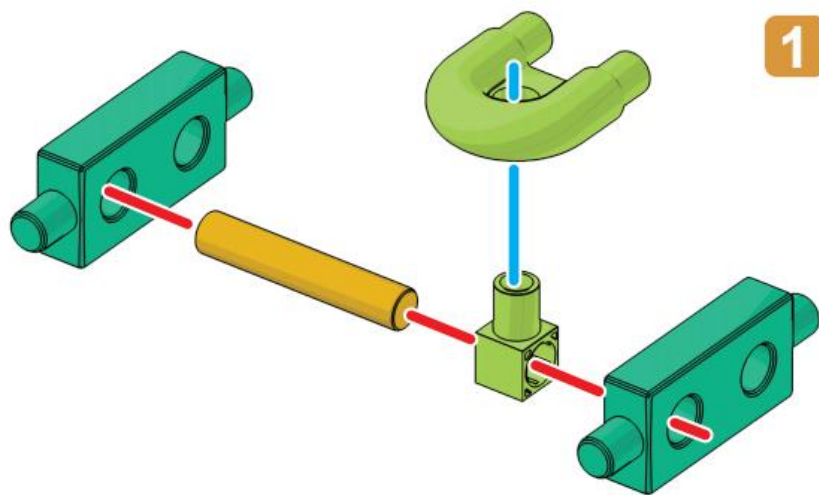


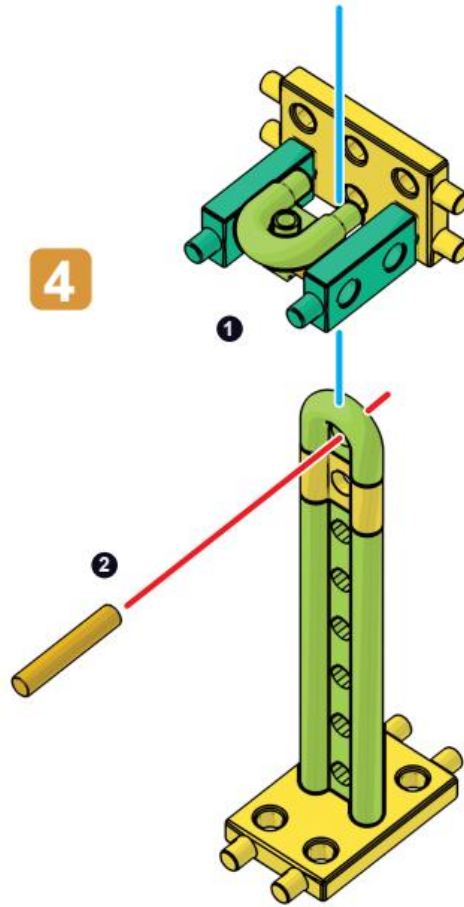
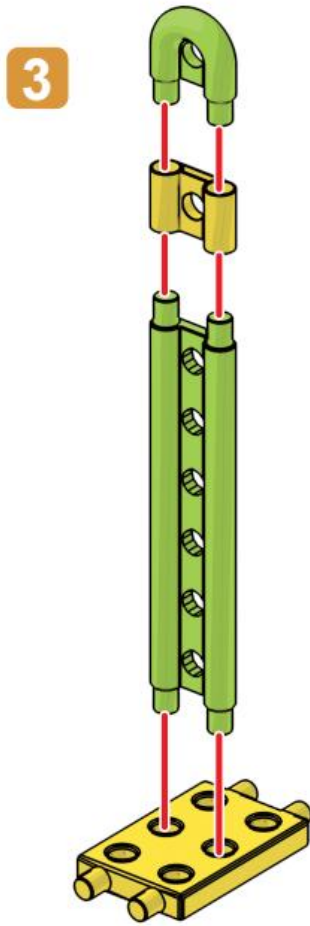
3



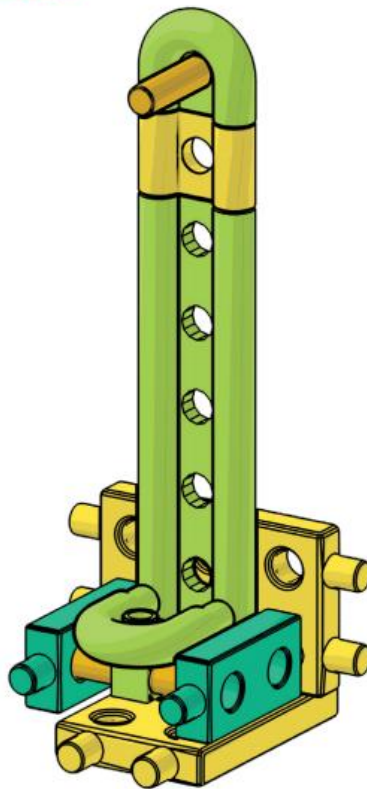
完成
Done





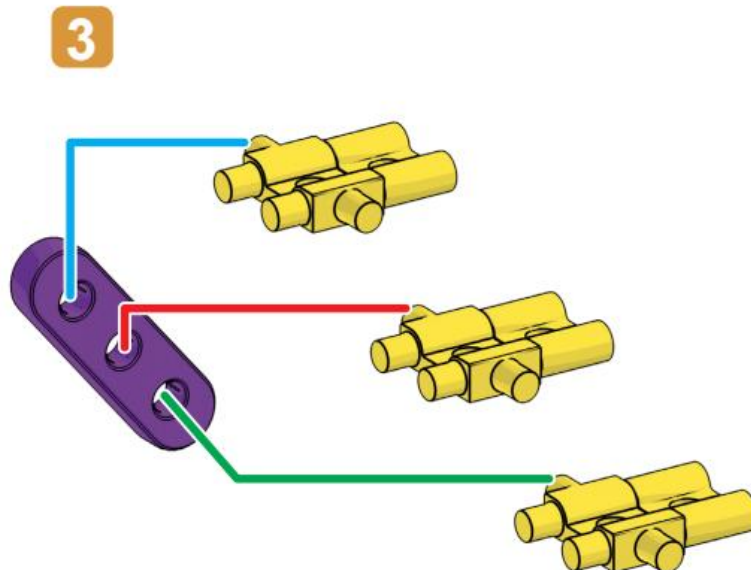
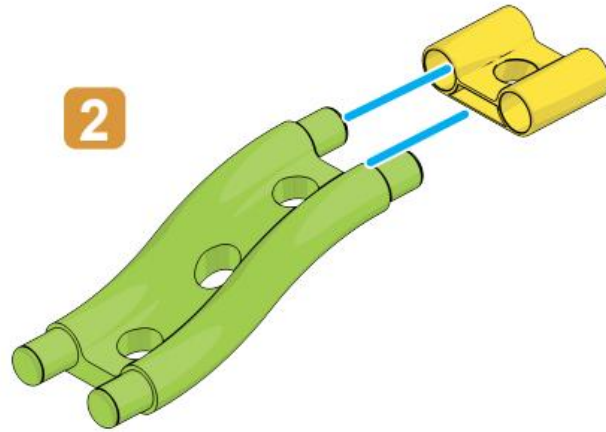
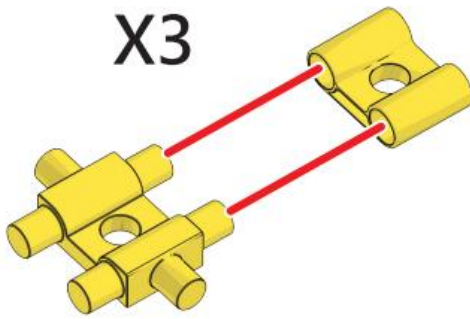
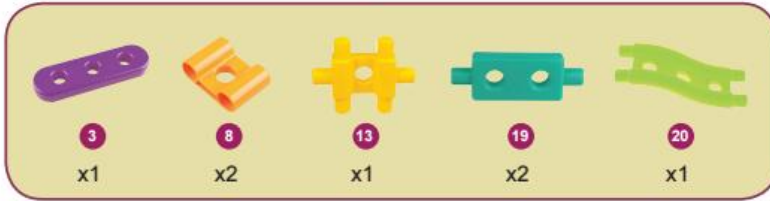


完成
Done

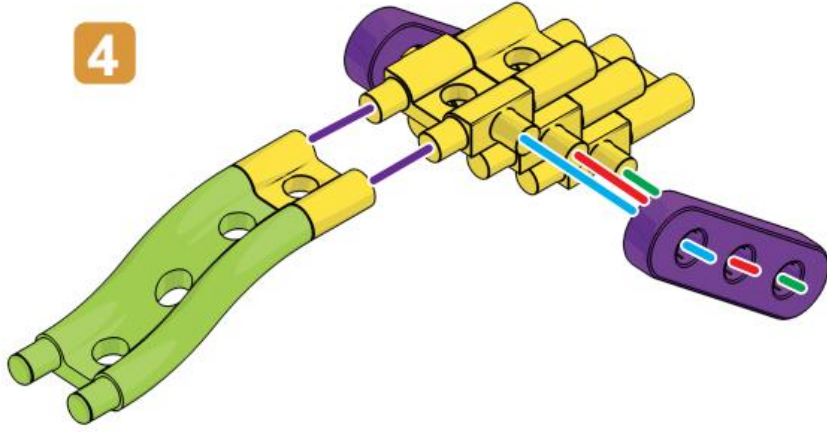


溜滑梯

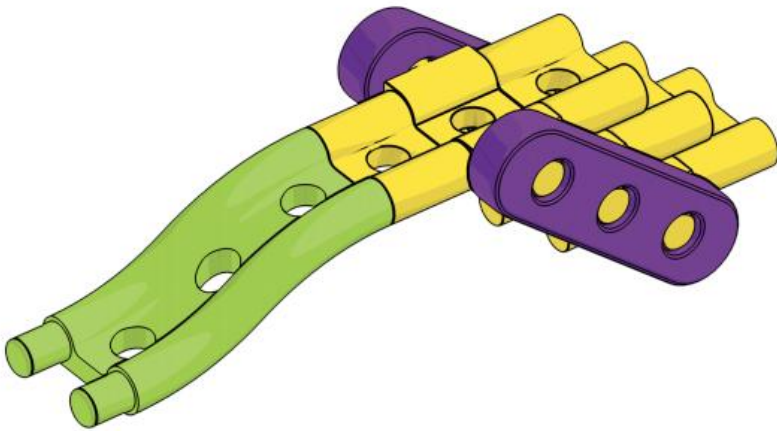
Slide



4

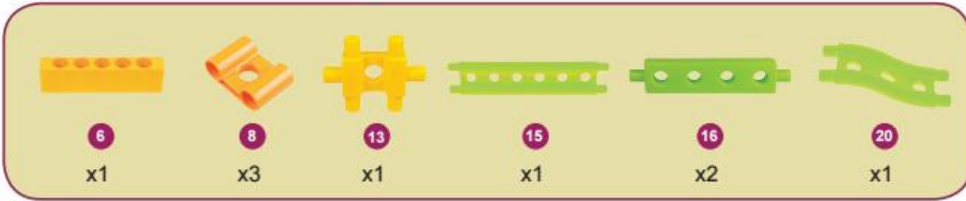


完成
Done

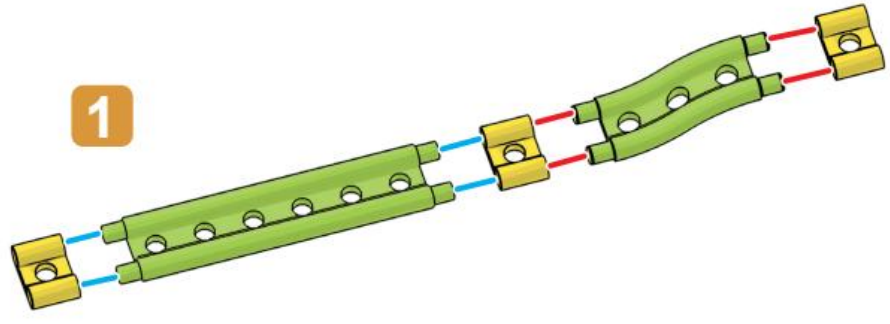


高軌道

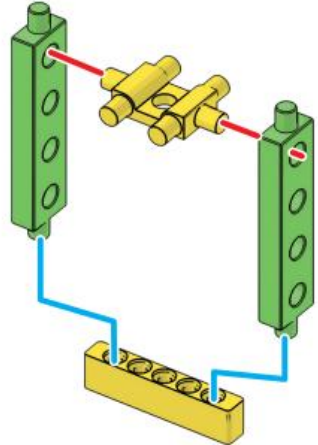
High Track



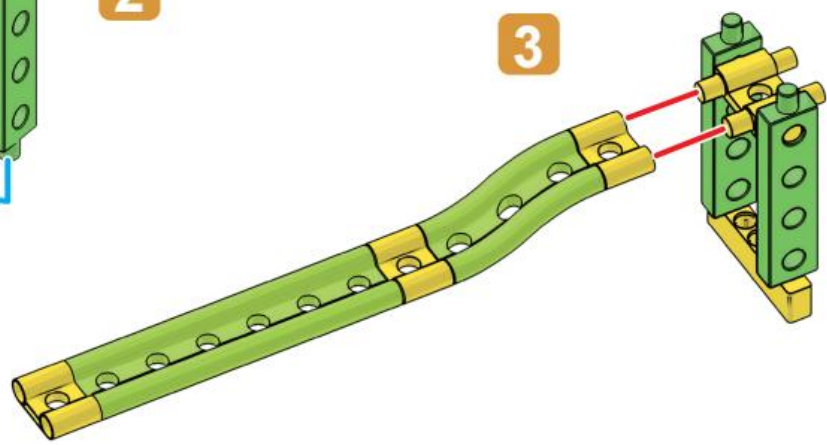
1



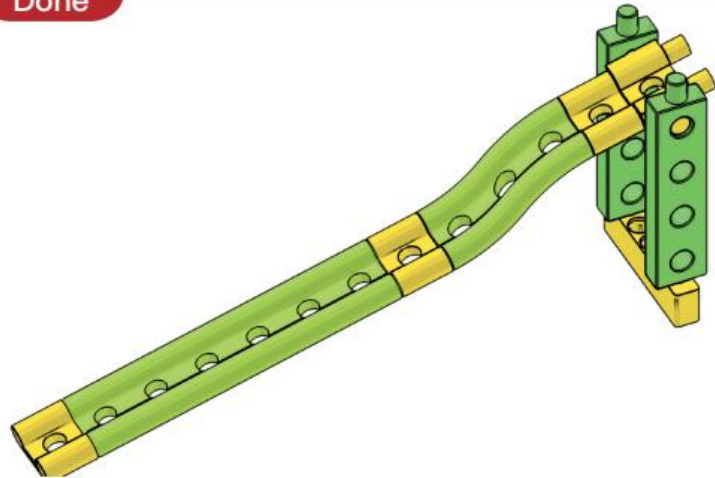
2



3

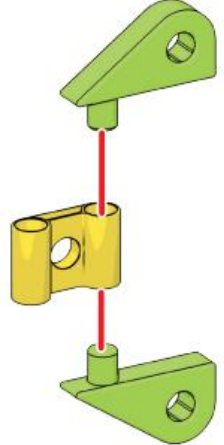


完成
Done

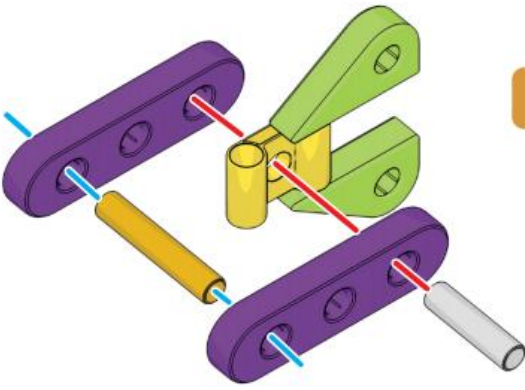




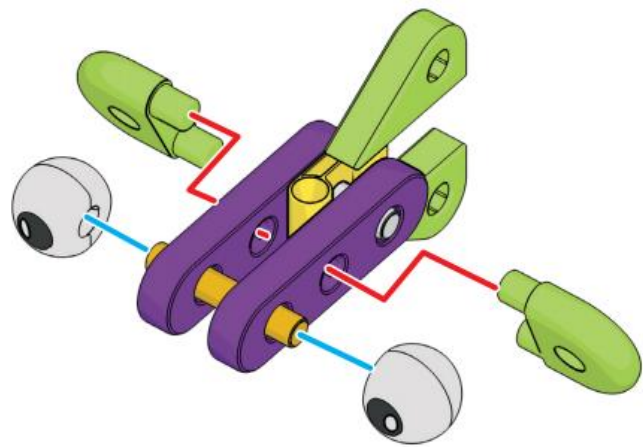
1



2



3

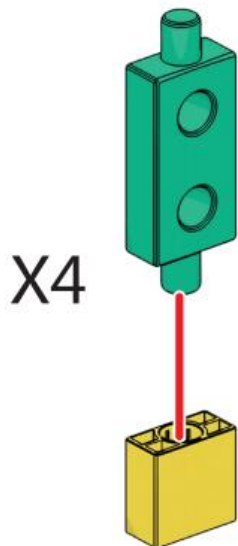


完成
Done



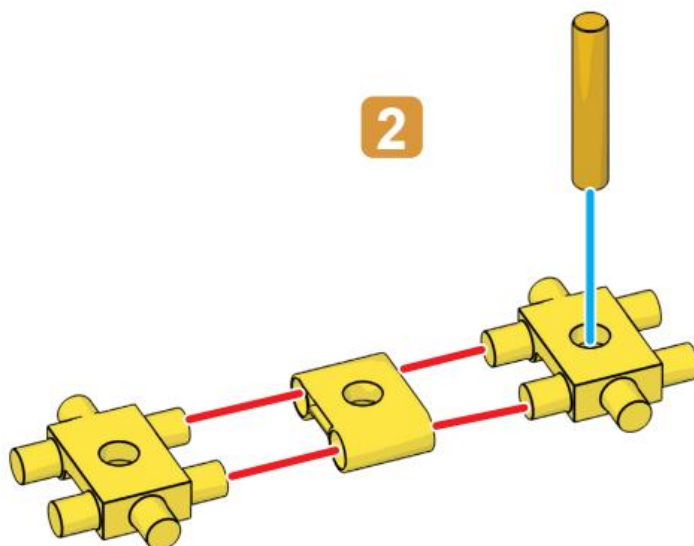
馬

Horse

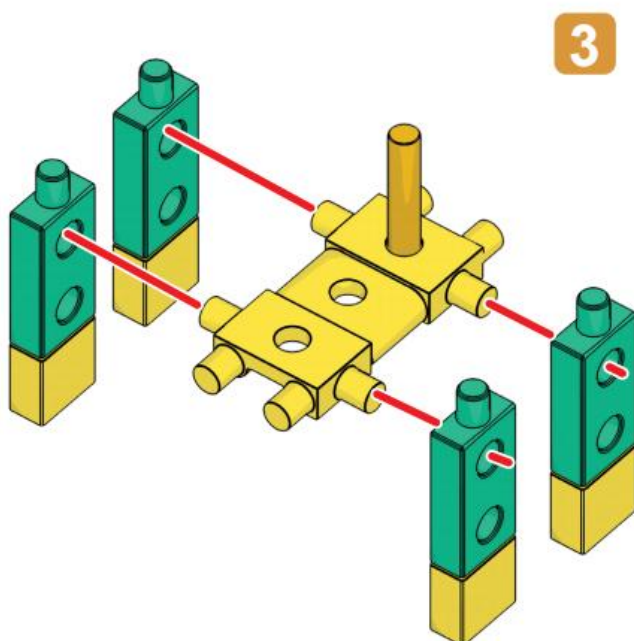


1

X4

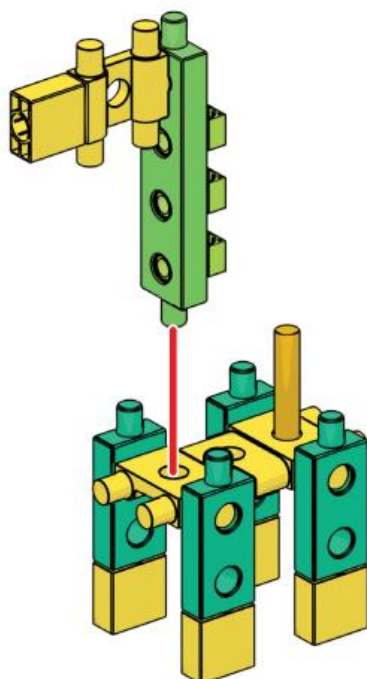
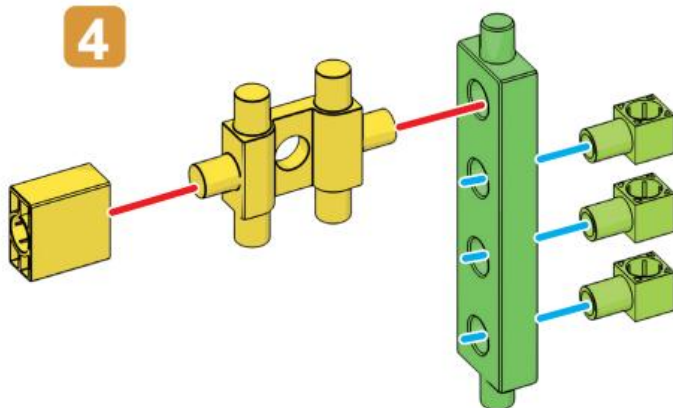


2



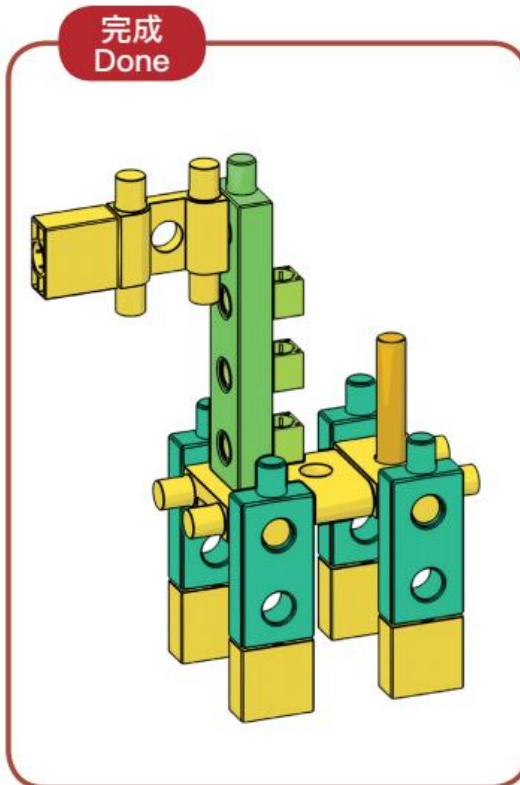
3

4



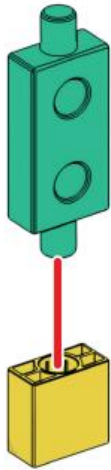
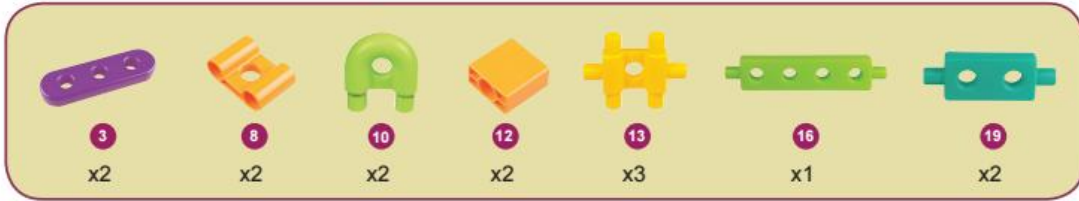
5

完成
Done



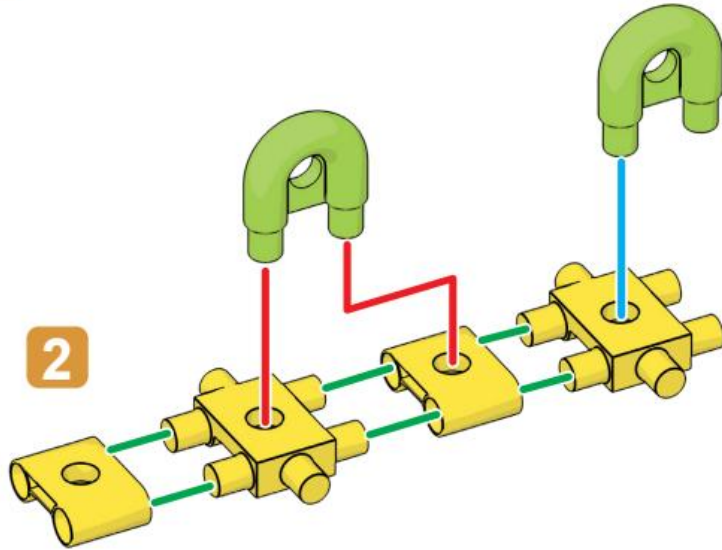
駱駝

Camel



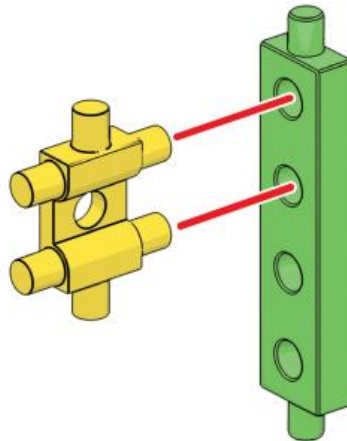
x2

1

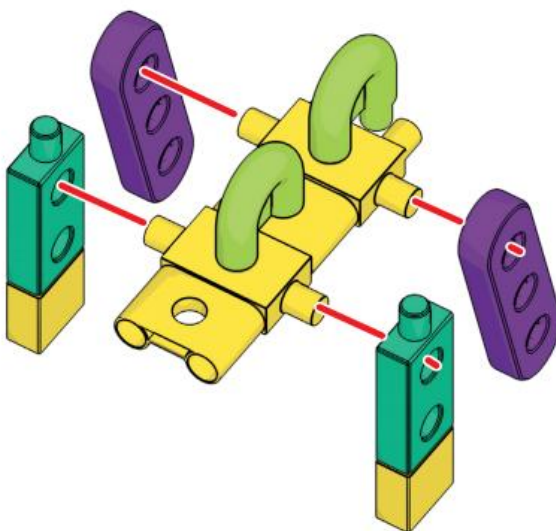


2

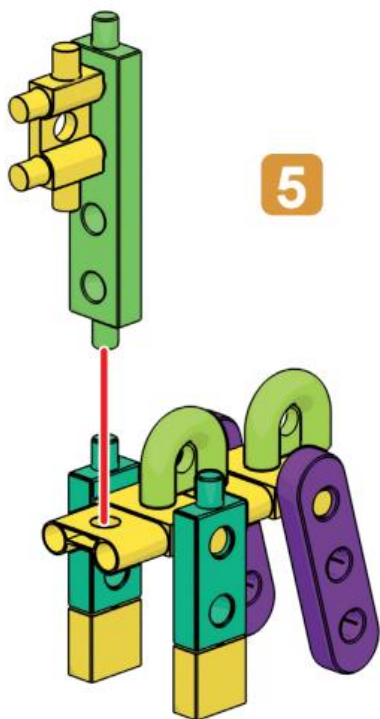
3



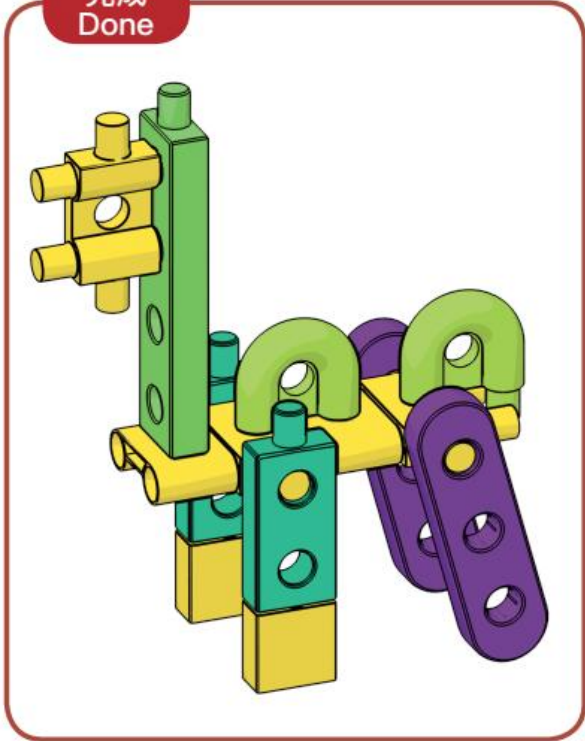
4



5

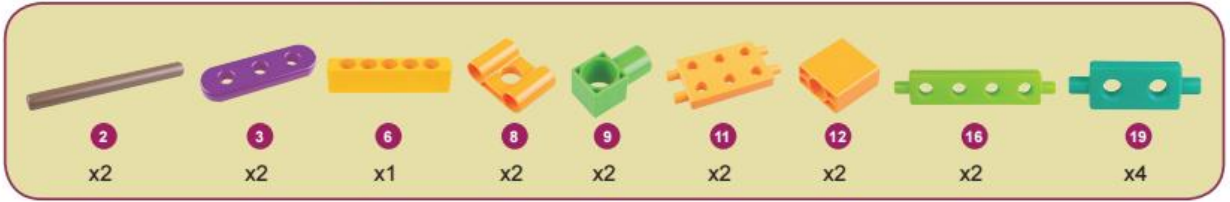


完成
Done



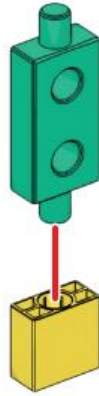
牛

Cattle

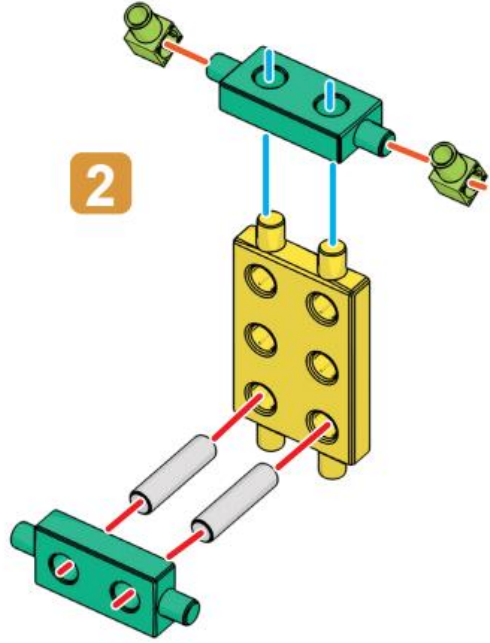


1

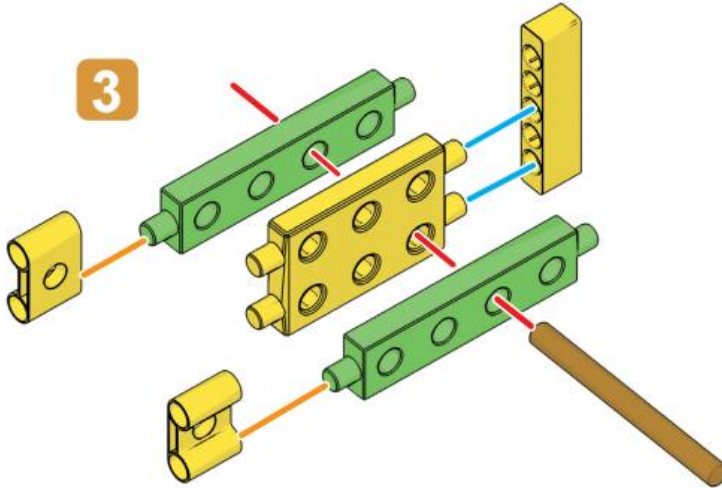
X2



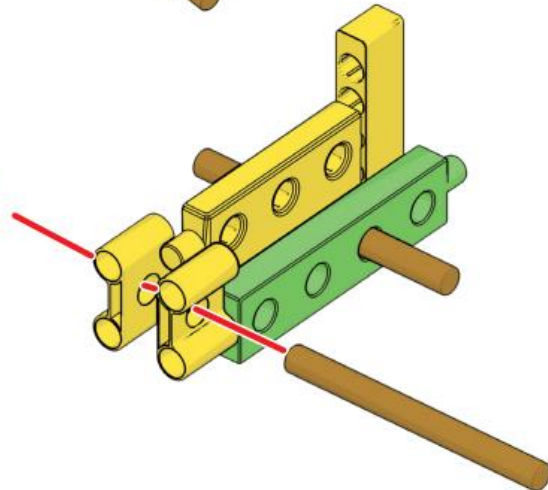
2



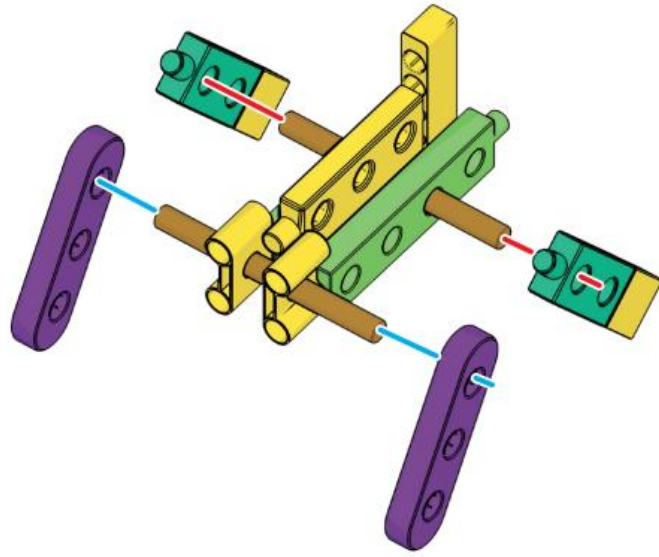
3



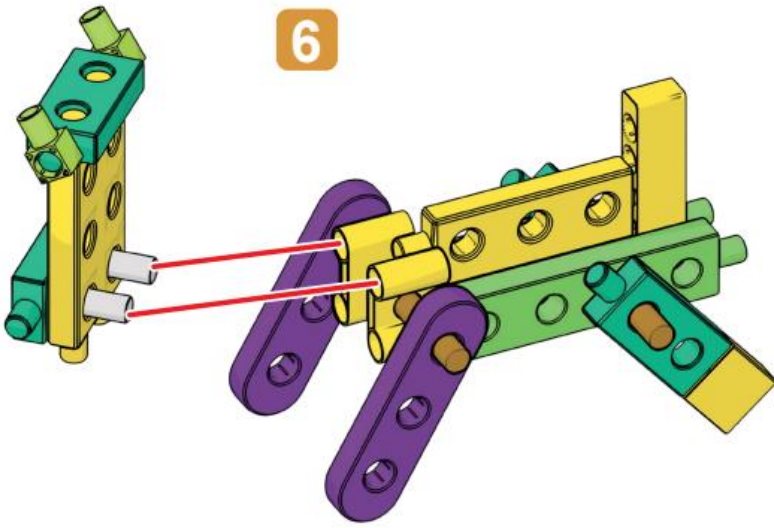
4



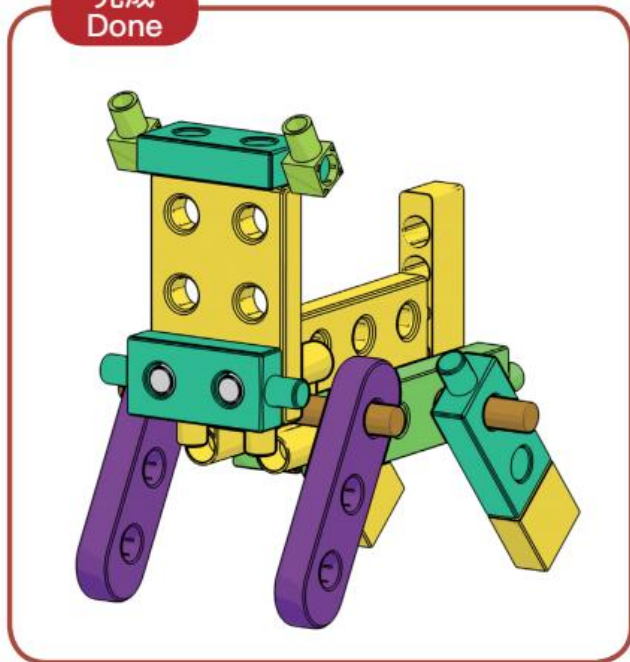
5

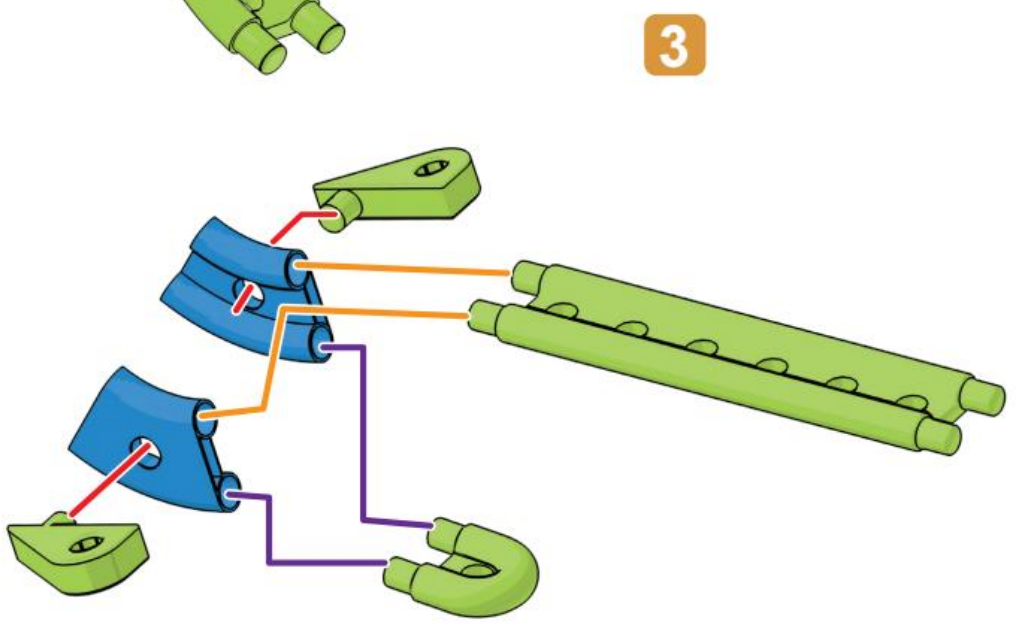
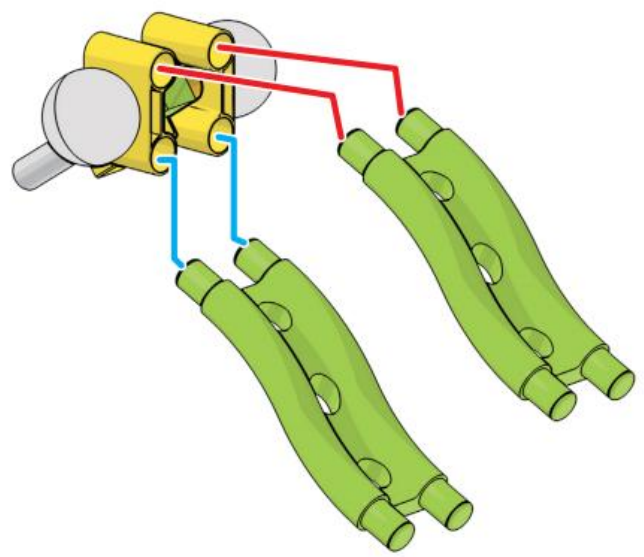
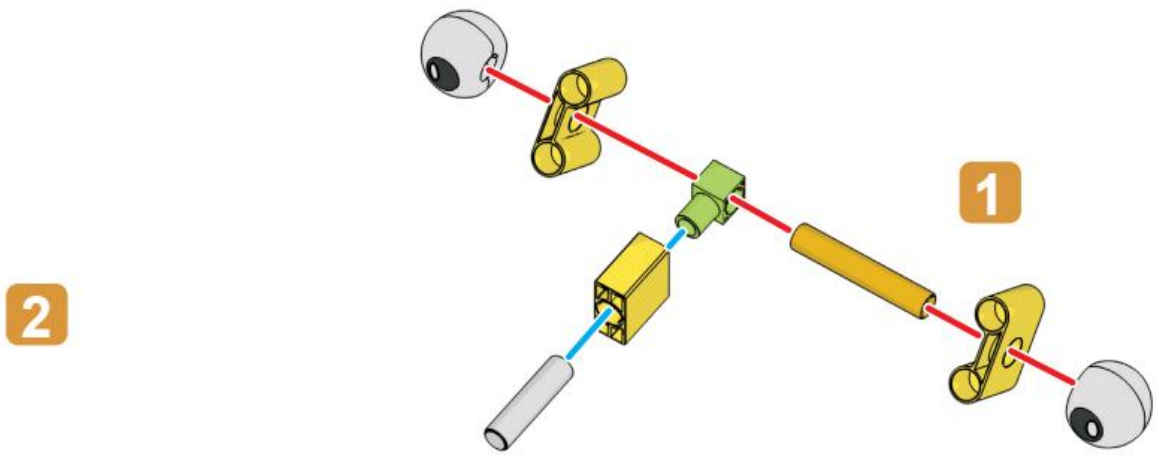
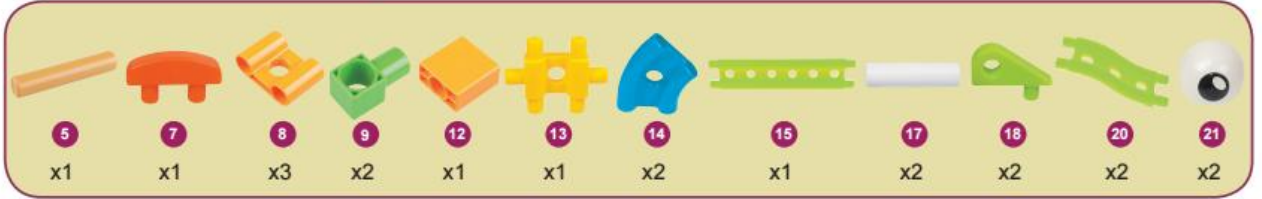


6



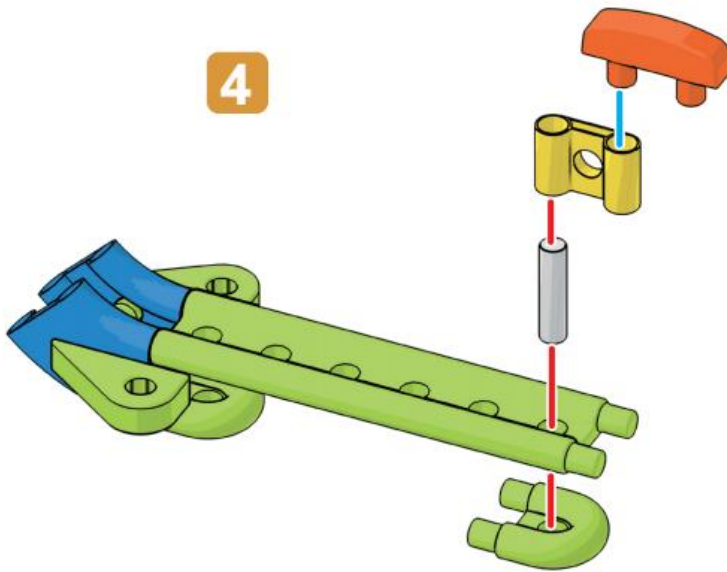
完成
Done



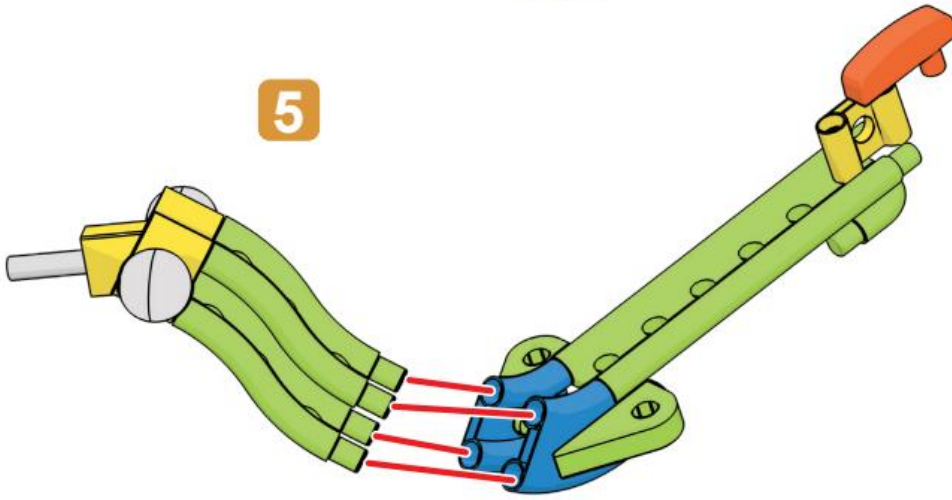


Knowledge comes from experience alone #1271

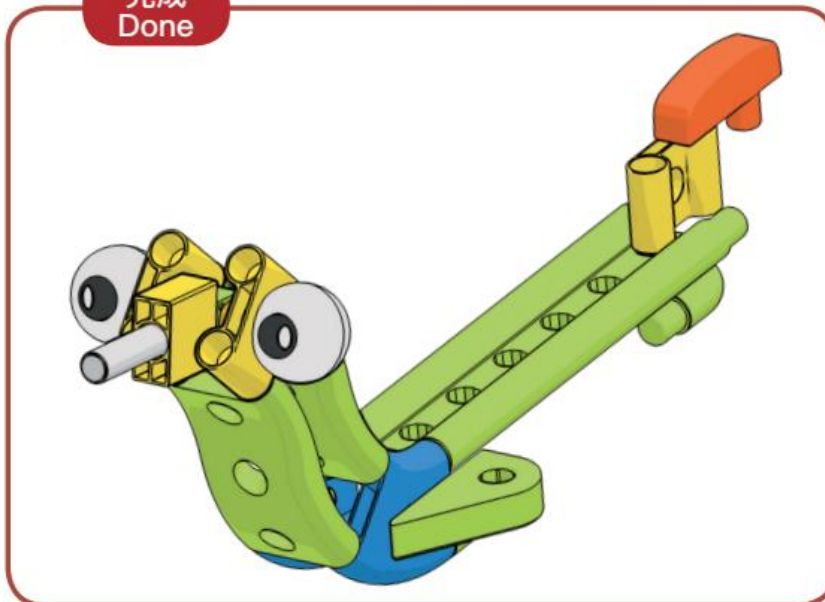
4



5



完成
Done



FUN LAB



#1260
創意積木組
CREATIVE CUBE



#1261
科學探索組
SCIENTIFIC TOUR



#1270
趣味機關組
FUN WITH MECHANISM



#1262
電學補充包
ELECTRICITY KIT



#1264
氣動補充包
PNEUMATICS KIT



#1265
風力補充包
WIND POWER KIT



#1266
水力補充包
HYDRAULICS KIT



#1267
太陽能補充包
SOLAR POWER KIT

GENIUS TOY TAIWAN CO., LTD.
www.gigotoys.com MADE IN TAIWAN  

© 2017 Genius Toy Taiwan Co., Ltd. All right reserved
R21#1271