



# 氣動補充包 PNEUMATICS KIT

# FUN LAB



# 1264

10 PCS

7+

知識來自於經驗

KNOWLEDGE COMES

FROM EXPERIENCE ALONE

20 MODELS TO BUILD

$(x) = \frac{d}{3}$ ,  $x\sqrt{x}$

前言 /Introduction	P2
零件表 /Parts List	P3
課前準備 /Tips and Tricks	P4
小涼扇 Cooling Fan	P6
龍捲風 Twister Maker	P7
空氣動力車 Air-Forced Car	P9
跳跳兔 Jumping Rabbit	P10
螺旋飛機 Propeller Plane	P12
吹球機 Ball Blower	P14
擊球機 Pop-up Batter	P15
空氣帆船 Air-Forced Sail Boat	P17
投籃機 Ball Shooting Machine	P19
帶球上籃 Climbing Up Ball	P21
衛星模擬器 Satellite	P23
旋轉火箭 Carousel	P25
擺頭風扇 Turning Fan	P27
篩穀機 Blowing Filter	P29
驚喜羅盤 Visual Effect	P32
風力環 Turning Paper Plate	P34
吸塵器 Vacuum Cleaner	P35
交通指揮機 Waving Machine	P37
震動相撲 Vibration Sumo	P39
灑花機 Spray Machine	P41



各位小朋友，歡迎您加入 Gigo 智高的 FUN LAB 趣味實驗室。  
 在 FUN LAB – #1264 氣動補充包當中，我們添加了更多的趣味零件，透過與 #1261 科學探索組的相互結合，就能延伸出更多的創意。  
 在我們動手組裝的過程當中，不僅能體驗創作的樂趣，更能學習到各種有趣的知識！讓我們將這些知識活用於日常生活吧！  
 那麼，就讓我們一起探索、學習 FUN LAB 趣味實驗室吧！

Hello, everyone! Welcome to join Gigo's Fun Lab.

In the package of #1264 Pneumatics Kit, a Fun Lab accessories and add-ons, some extra fun parts are included. Working together with Kit #1261 Science Tour more creative ideas can be inspired.

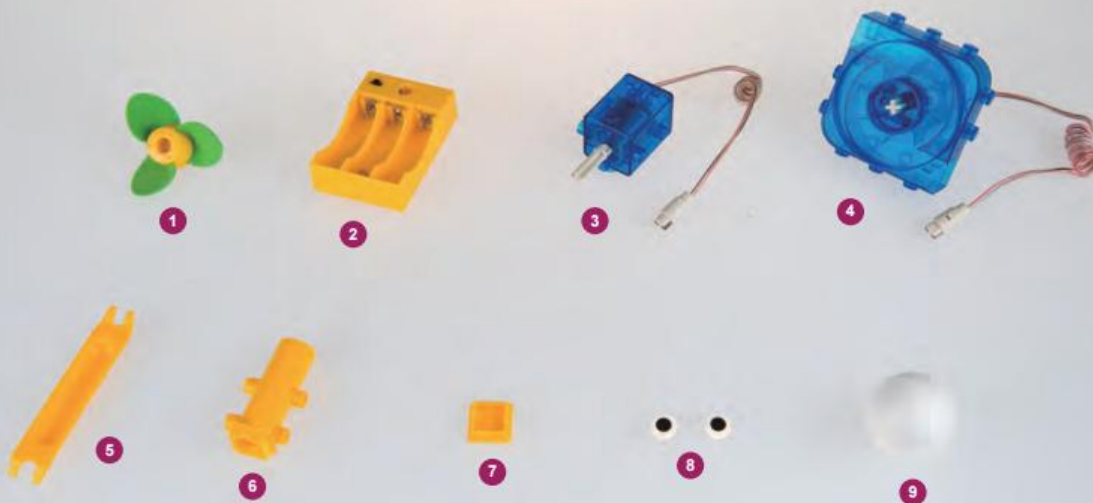
During the process of assembly, we will experience the fun of creation and learn various interesting knowledge, which can hopefully be utilized in our everyday life.

Let's work together to explore Gigo's Fun Lab. During the process of assembly, we will experience the fun of creation and learn various interesting knowledge, which can hopefully be utilized in our everyday life.

Let's work together to explore Gigo's Fun Lab.

### #1264 氣動補充包 零件表























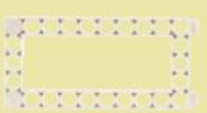
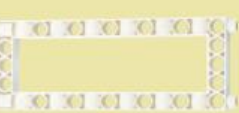
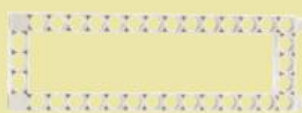

















### #1264 Pneumatics Kit : Parts List



<p>1 C-海綿螺旋槳 C-EVA PROPELLER x1</p>	<p>2 C- 4.5V 單孔開關電池座 C- 4.5 V BATTERY HOLDER WITH SWITCH x1</p>	<p>3 C-單線軸馬達 C-MOTOR WITH WIRE CONNECTOR x1</p>	<p>4 C-鼓風機馬達 C-BLOWER x1</p>	<p>5 B-扳手 B-PEG REMOVER x1</p>	<p>6 C-氣槍筒 C-BLOWER PIPE x1</p>
<p>7 C-氣口蓋 C-AIR INTAKE COVER FOR THE BLOWER x1</p>	<p>8 B-中心眼珠 B-EYE-1 x2</p>	<p>9 C-保麗龍球 C-POLYSTYRENE BALL x1</p>			

## #1261 科學探索組 需用零件表

## Parts Needed from Kit #1261 Scientific Tour

- |  |   |  |  |   |  |  |   |
|--|---|--|--|---|--|--|---|
| <br>1<br>C-軸扣鍵<br>C-AXLE CONNECTOR<br>x10             | <br>2<br>C-自轉軸鍵<br>C-AXLE<br>x5                  | <br>3<br>C-凸輪連結鍵<br>C-CAM CONNECTOR<br>x4       | <br>4<br>C-長結合鍵<br>C-LONG PEG<br>x15            | <br>5<br>C-軸固定鍵<br>C-AXLE FIXING<br>x5           | <br>6<br>C-底座結合器<br>C-BASE GRID CONNECTOR<br>x2       | <br>7<br>C-輪轉接器<br>C-ROD CONNECTOR<br>x2  | <br>8<br>C-關節鍵<br>C-HINGE<br>x4              |
| <br>9<br>C-單向轉接鍵<br>C-FRONT CONVERTER<br>x4           | <br>10<br>C-雙向轉接鍵<br>C-LATERAL CONVERTER<br>x4   | <br>11<br>B-短結合鍵<br>EXTRA LOOSE PEG<br>x15      | <br>12<br>C-3孔1/4弧長條<br>C-BENDED ROD<br>x8      | <br>13<br>C-3孔超長條<br>C-3 HOLE DUAL ROD<br>x4    | <br>14<br>C-3孔長條<br>C-3 HOLE ROD LATERAL CLOSED<br>x4 | <br>15<br>C-3孔長條側有孔<br>C-3 HOLE ROD<br>x4 | <br>16<br>C-5孔超長條<br>C-5 HOLE DUAL ROD<br>x4 |
| <br>17<br>C-5孔長條<br>C-5 HOLE ROD LATERAL CLOSED<br>x4 | <br>18<br>5孔長條側有孔<br>C-5 HOLE ROD<br>x4          | <br>19<br>#7063 曲軸平<br>CRANK W/OUT FLANGE<br>x2 | <br>20<br>C-15孔超長條<br>C-15 HOLE DUAL ROD<br>x6 | <br>21<br>C-11孔長條<br>ROD<br>x6                 | <br>22<br>C-5x5孔正方形<br>C-5X5 FRAME<br>x4              |  |   |
| <br>23<br>C-5x10孔正方形<br>C-5X10 FRAME<br>x4            | <br>24<br>C-5x13孔超長方框<br>C-5X13 DUAL FRAME<br>x1 | <br>25<br>C-5x15孔正方形<br>C-5X15 FRAME<br>x4     | <br>26<br>C-20T齒輪<br>C-20T GEAR<br>x6         | <br>27<br>C-40T齒輪<br>C-40T GEAR<br>x6          |  |  |   |
| <br>28<br>C-60T齒輪<br>C-60T GEAR<br>x4               | <br>29<br>C-80T齒輪<br>C-80T GEAR<br>x2          | <br>30<br>C-OD33mm滑輪<br>C-OD33 PULLEY<br>x2   | <br>31<br>C-OD53mm滑輪<br>C-OD53 PULLEY<br>x2  | <br>32<br>C-渦桿<br>C-WORM GEAR<br>x1          | <br>33<br>C-OD70x13mm橡膠輪<br>C-RACING TIRE<br>x2     |  |   |
| <br>34<br>C-100mm橡皮筋<br>C-100mm RUBBER BAND<br>x2   | <br>35<br>C-OD36mm橡膠圈<br>C-OD36 O-RING<br>x2   | <br>36<br>C-OD56mm橡膠圈<br>C-OD56 O-RING<br>x2  | <br>37<br>C-30mm II軸<br>C-30mm AXLE II<br>x4 | <br>38<br>C-70mm II軸<br>C-70mm AXLE II<br>x4 | <br>39<br>C-100mm II軸<br>C-100mm AXLE II<br>x4      |  |   |
| <br>40<br>C-特多龍<br>C-STRING<br>x1                   | <br>41<br>B-扳手<br>B-PEG REMOVER<br>x1          | <br>42<br>C-8x12底座<br>C-BASE GRID<br>x2       |  |   |  |  |   |

### 小提醒：

課程開始前，請先搭配補充包說明書，將 # 1261 科學探索組的材料挑出，會更方便進行模型創作喔！

Reminders: Before the class, please read the instructions of Accessories and Add-Ons to pick out parts for #1261 Scientific Tour to make models assembly easier.



# 課前準備

Before the Class

課程須搭配 #1261 的一條  
170cm 棉線。

Get one string from Kit #1261, 170 cm long,  
ready for the class.

## 電池座的使用方法

4.5V Battery Holder with Switch



需要放入三顆 AA 電池。  
Three AA batteries are needed.

## 三段式開關 3-Stage Switch



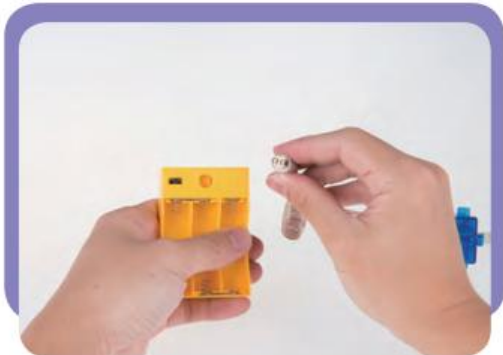
反轉  
Turning counter  
clockwise

停止  
Stop

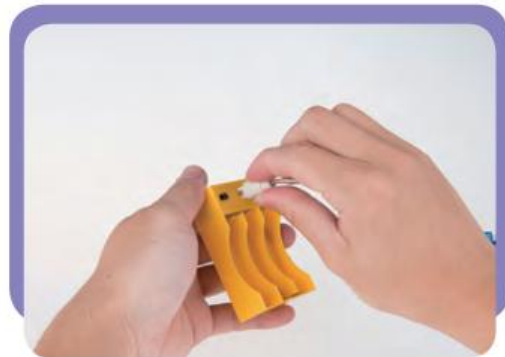
正轉  
Turning  
clockwise

## 連接電池座及馬達電線接頭

Connect Battery Holder and Motor with  
Wire Connector



觀察馬達電線接頭，有一側為平頭。  
Note that both the socket and the  
plug have a flat side.



兩邊平頭對齊，即可順利裝入。  
Align the flat sides of the socket  
and the plug before you plug in to  
assure the smooth connection.

## 拆卸電池座及馬達電線接頭

Disconnect Battery Holder and Motor with  
Wire Connector



正確 Correct

握住電線接頭的末端再拔除下來。  
Hold the plug of the wire connector to  
plug out.



錯誤 Wrong

拉住電線 扯下電線接頭。  
Never pull the wire to plug out.

## 單線軸馬達

### Single Spool Motor



裝入海綿螺旋槳或齒輪時，對準軸心施力。  
Put Eva Propeller or Gear on the axle of Single Spool Motor with force to join them together.

對準軸心拔開，即可拆除海綿螺旋槳或齒輪。  
Pull Eva Propeller or Gear off the Single Spool Motor to separate them.

## 電學馬達

### Motor with Drive Axle



拆除時若馬達短軸一併拆下，對準軸心即可裝回。  
Once if the motor axle comes off on the separation, just put it back to the original place.

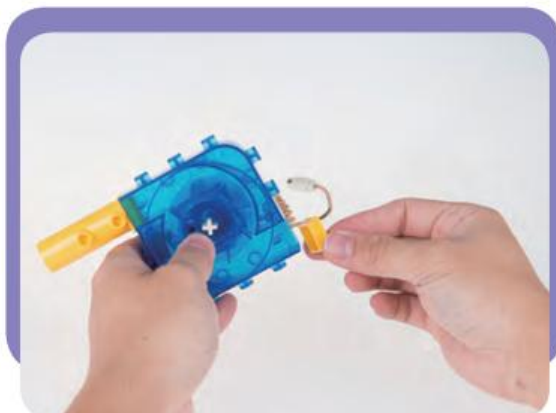


## 鼓風機馬達

### Blower



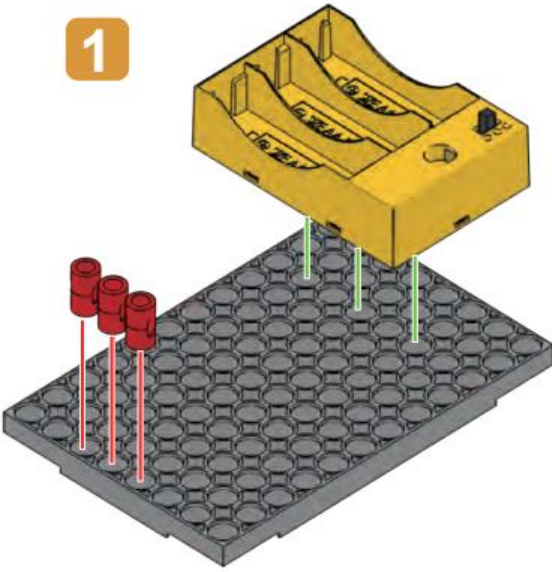
在一側裝入氣槍筒，可有效集中空氣。  
Attach Blower Pipe to one side of Blower to concentrate the air efficiently.



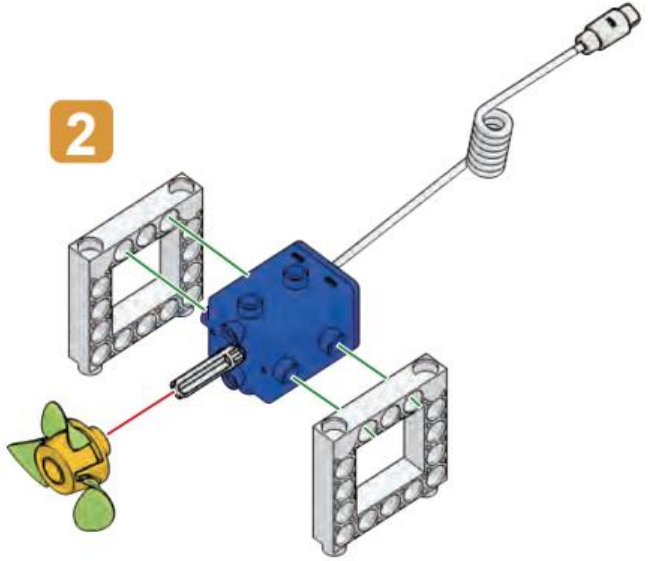
另一側蓋上氣口蓋，增加效能。  
Attach Air Intake Cover to the other side of Blower to improve the efficiency.

-   
4  
x3
-   
11  
x1
-   
12  
x2
-   
22  
x2
-   
41  
x1
-   
42  
x1
-   
1  
x1
-   
2  
x1
-   
3  
x1

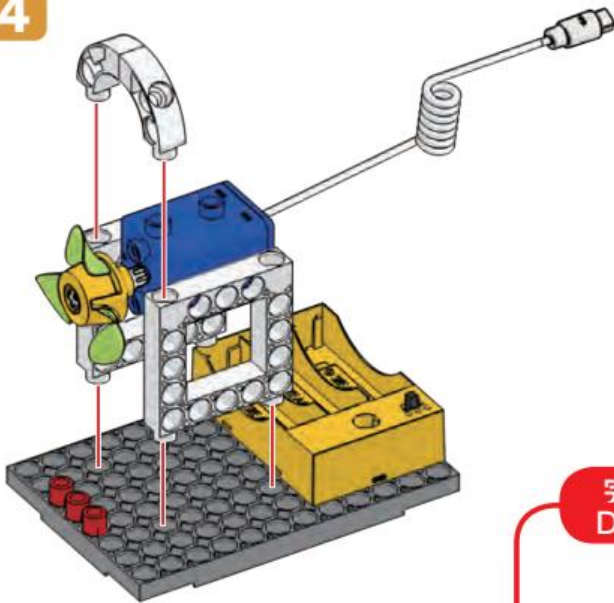
1



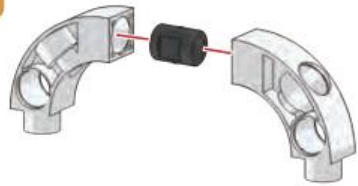
2



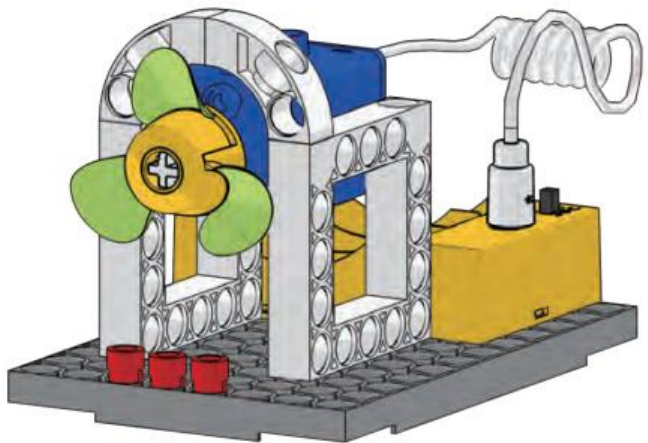
4



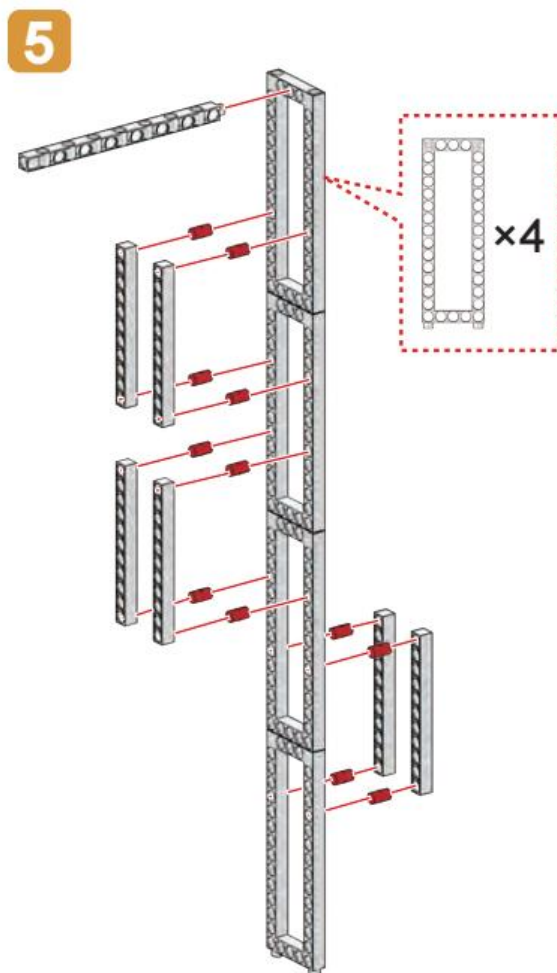
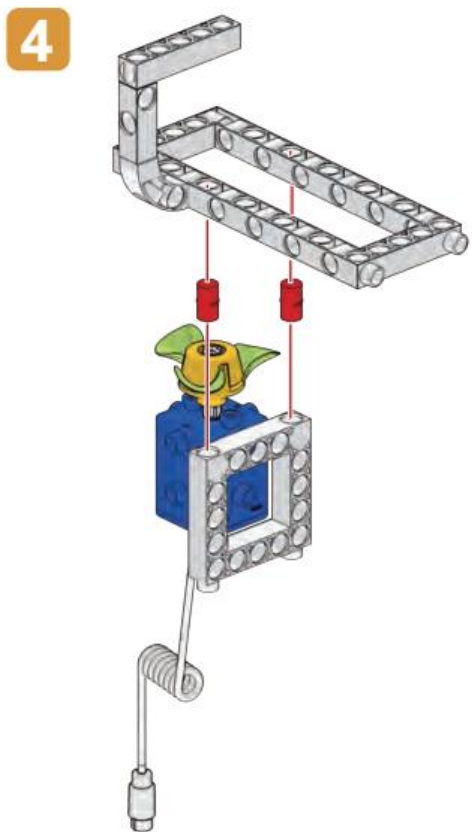
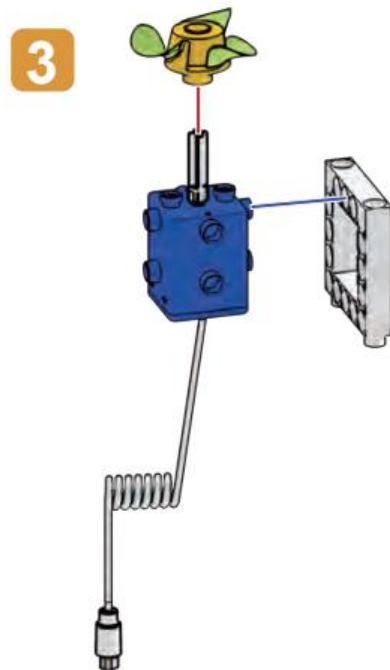
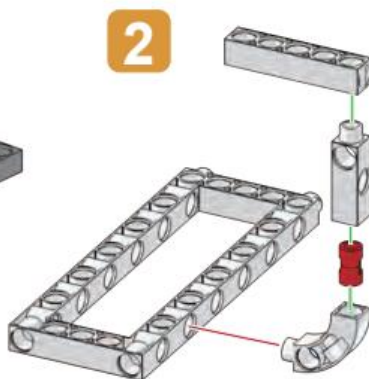
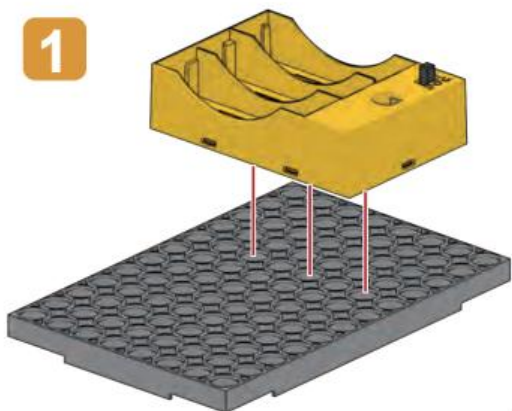
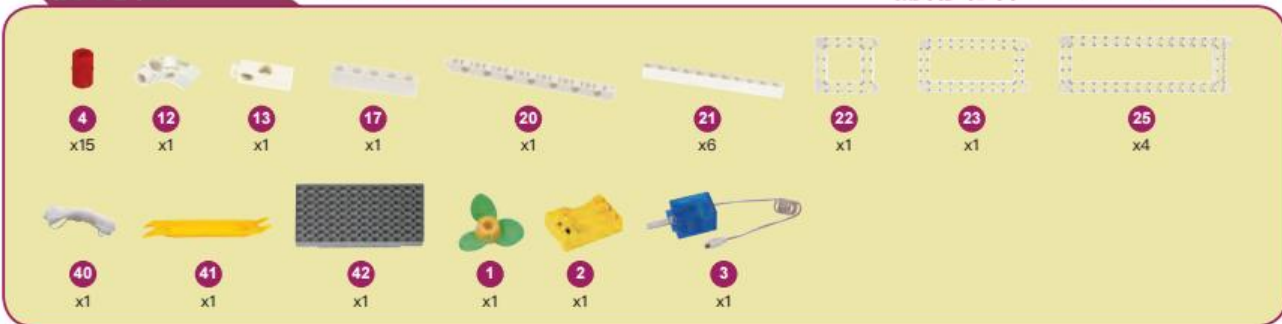
3



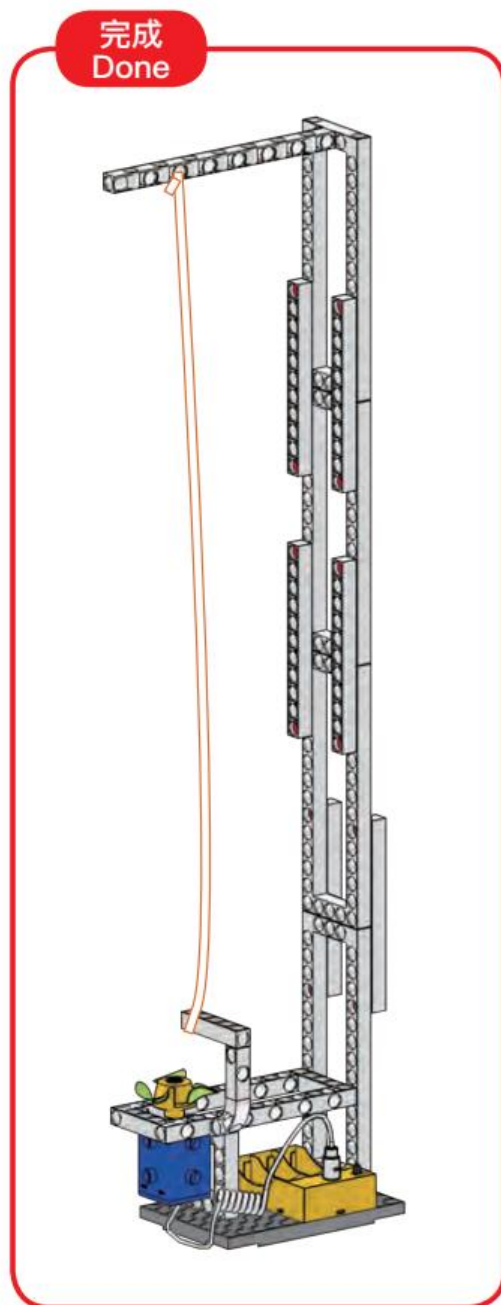
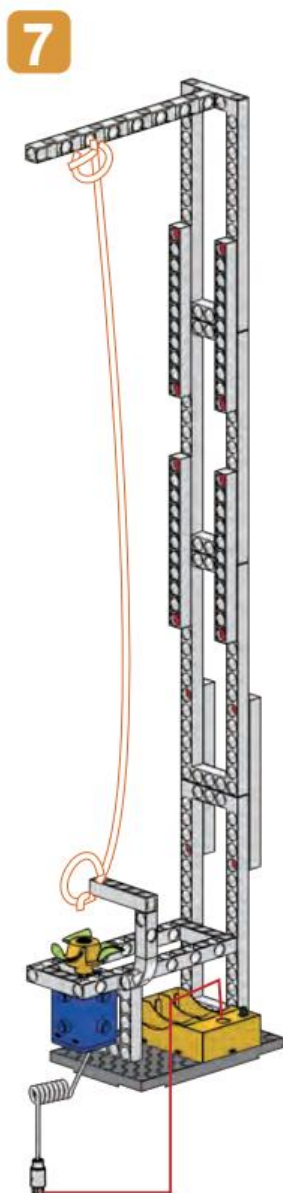
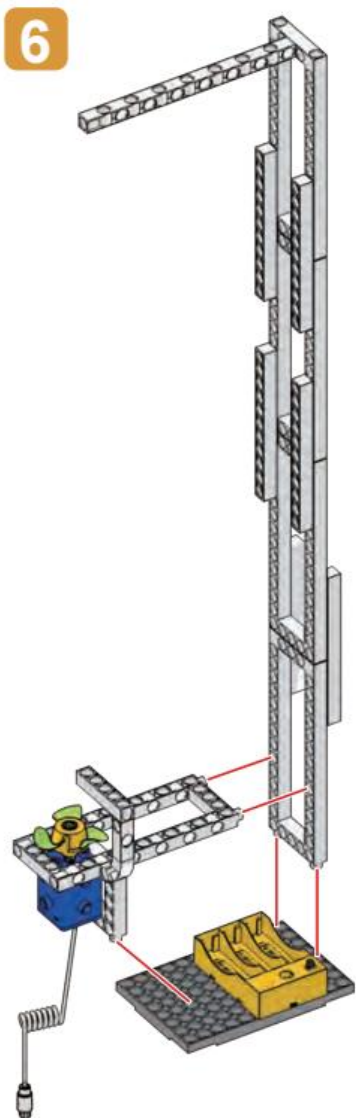
完成  
Done

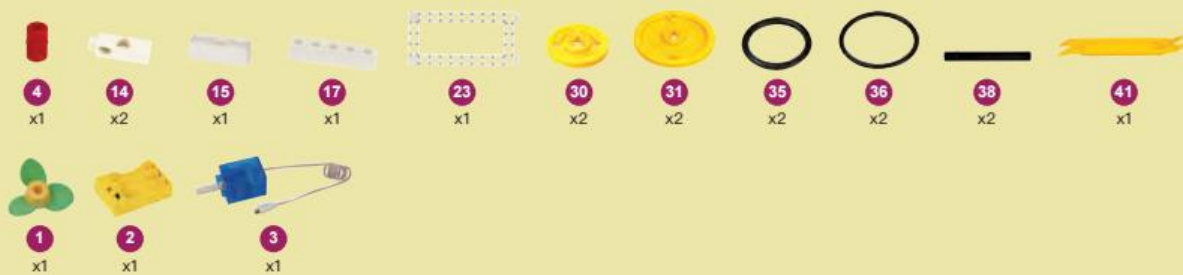




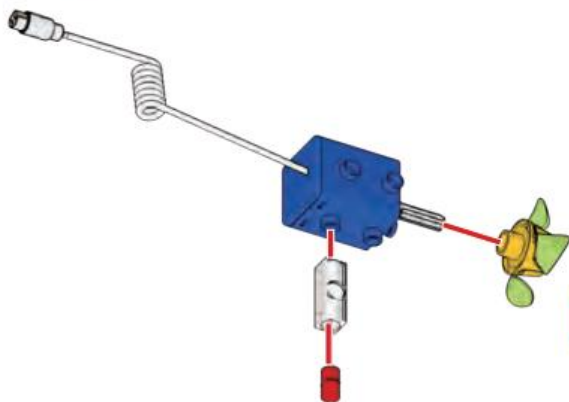




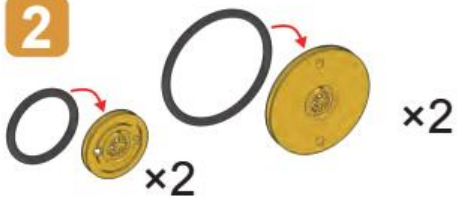




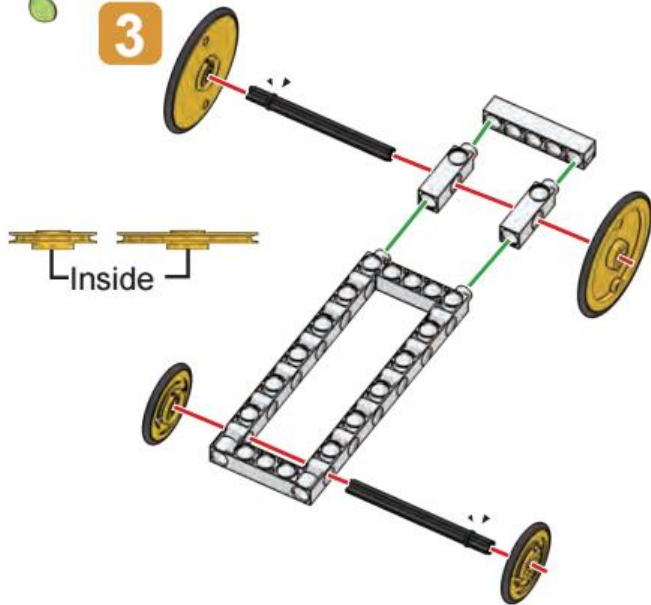
1



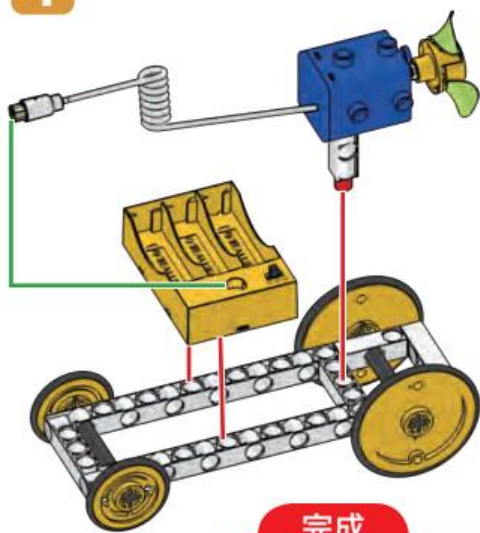
2



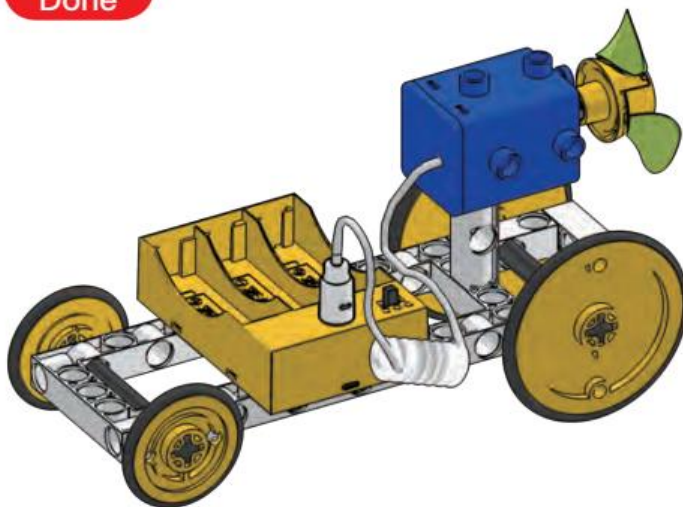
3

















4

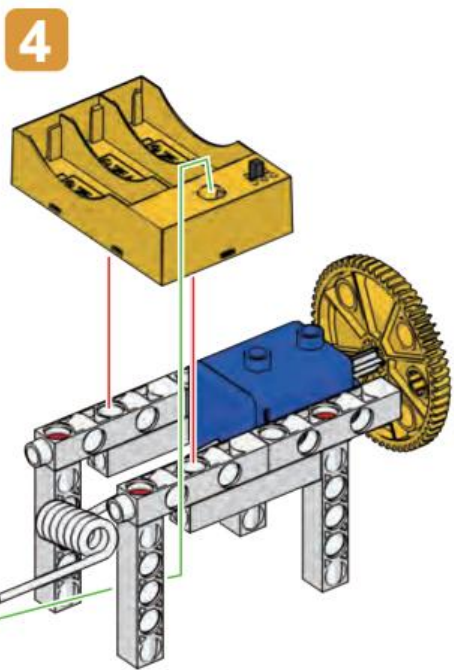
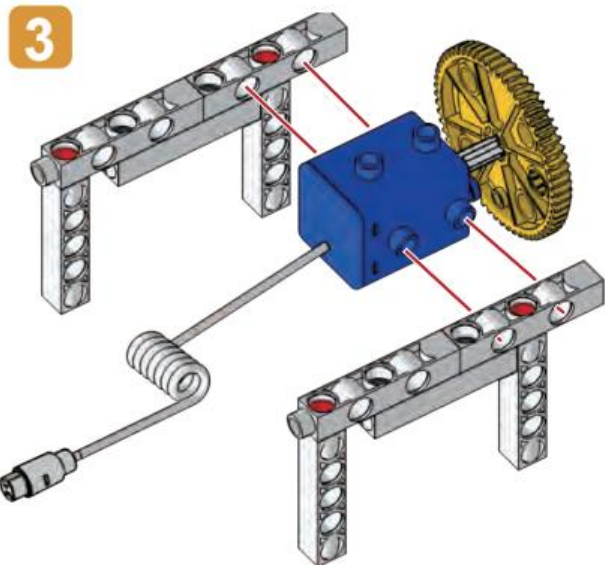
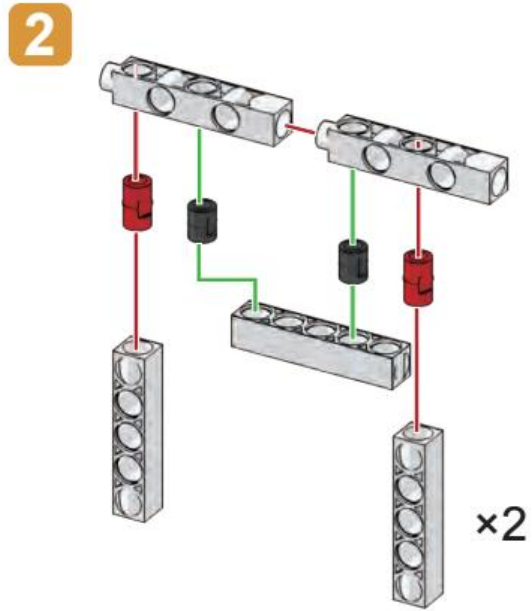
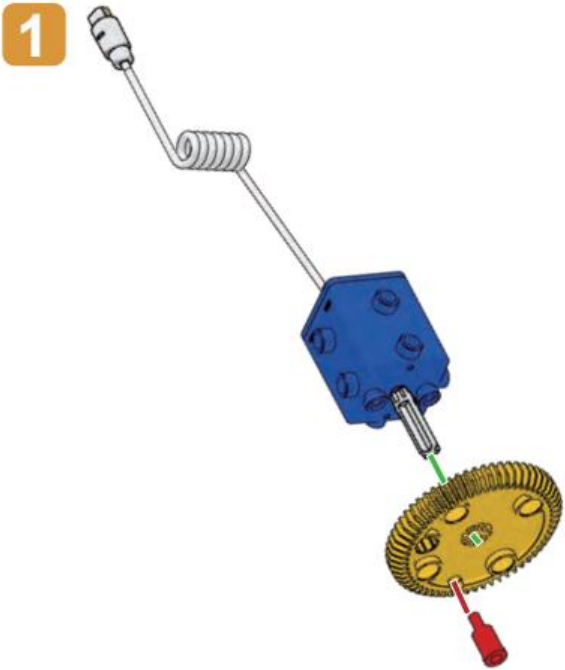


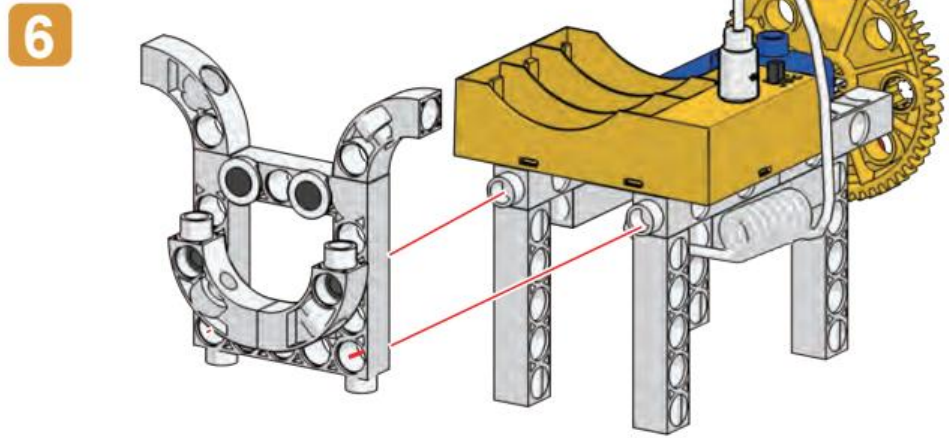
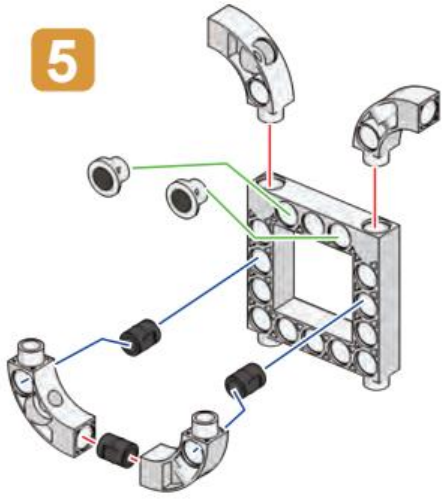
完成  
Done



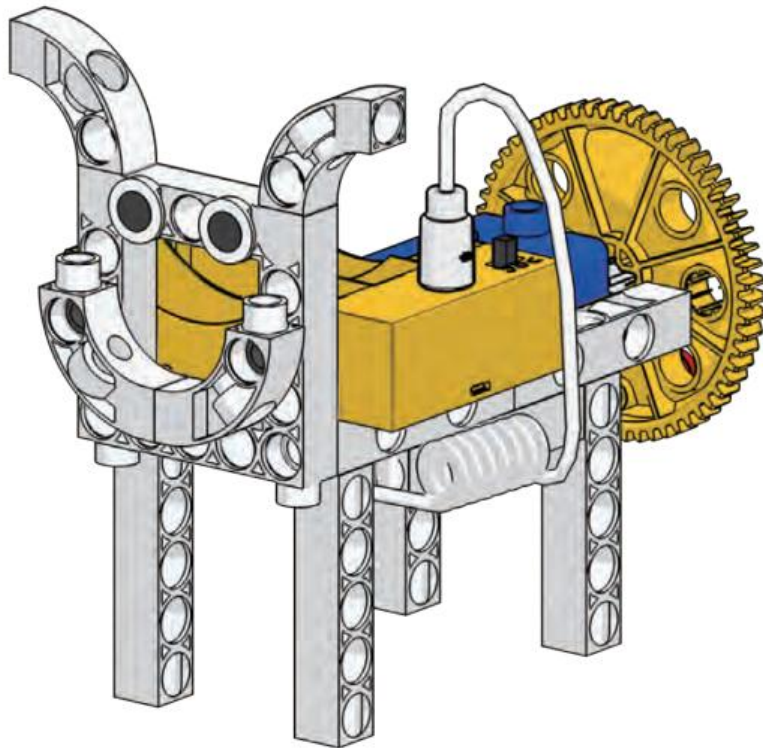


-   
 3  
x1
  -   
 4  
x4
  -   
 11  
x7
  -   
 12  
x4
  -   
 16  
x4
  -   
 17  
x2
  -   
 18  
x4
  -   
 22  
x1
  -   
 28  
x1
  -   
 41  
x1
  -   
 1  
x1
  -   
 2  
x1
- 
-   
 3  
x1
  -   
 8  
x2







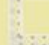
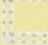















完成  
Done

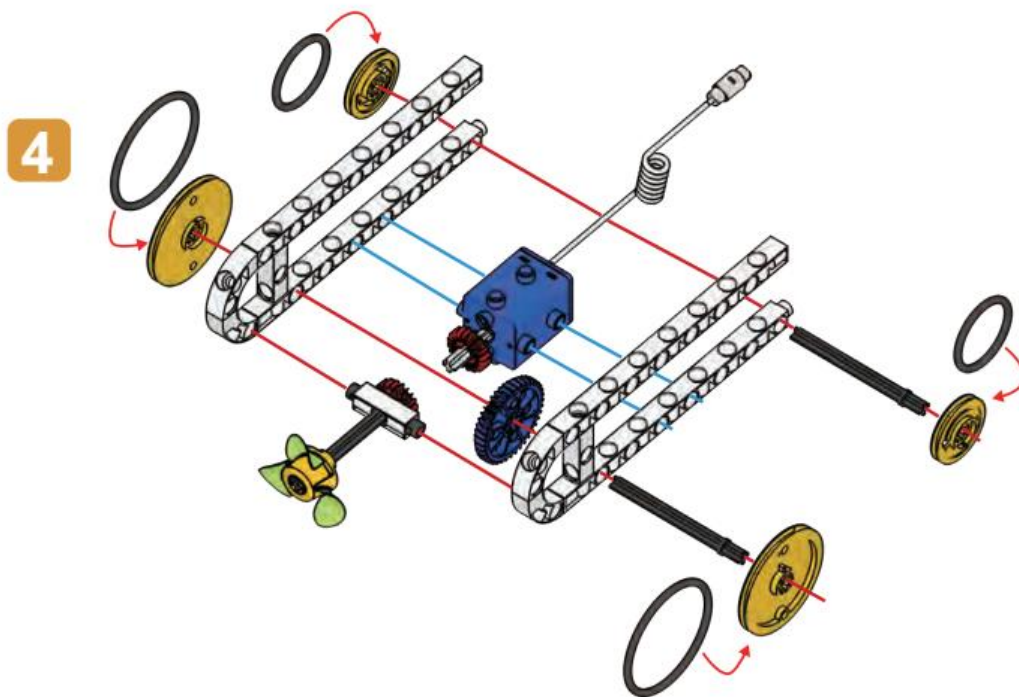
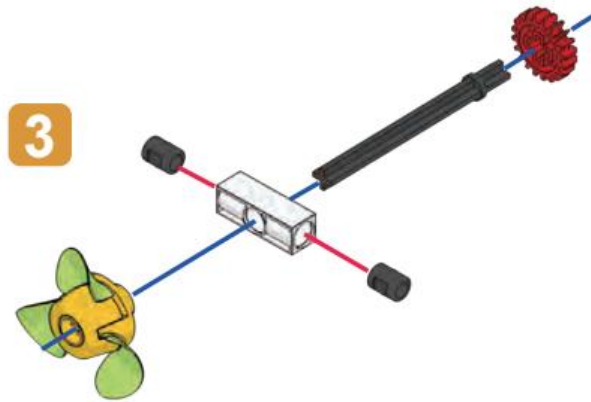
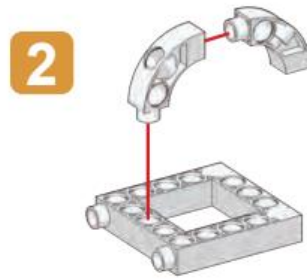
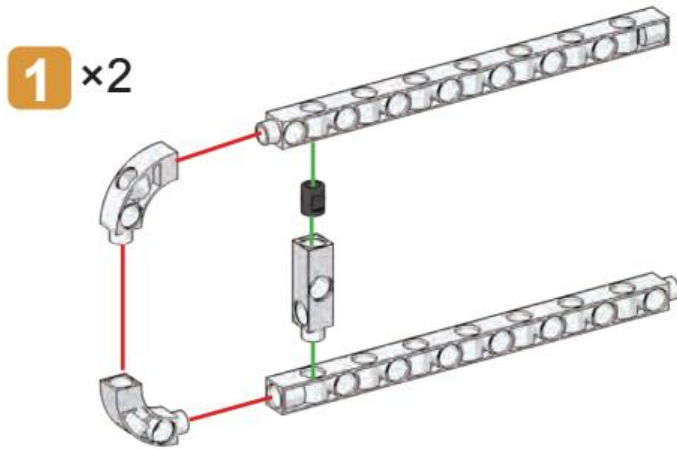


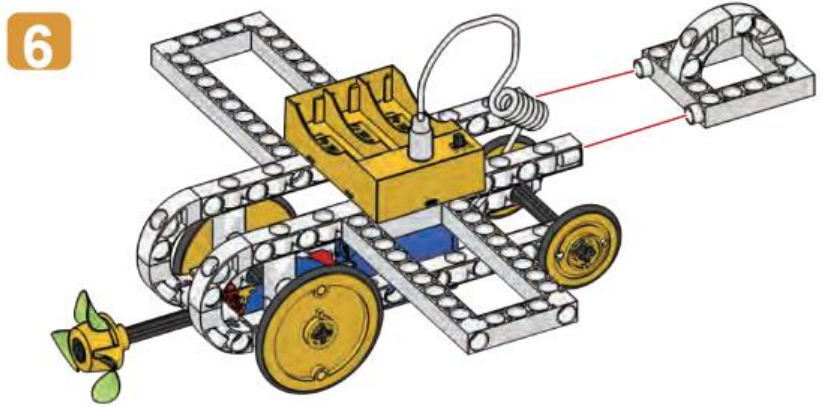
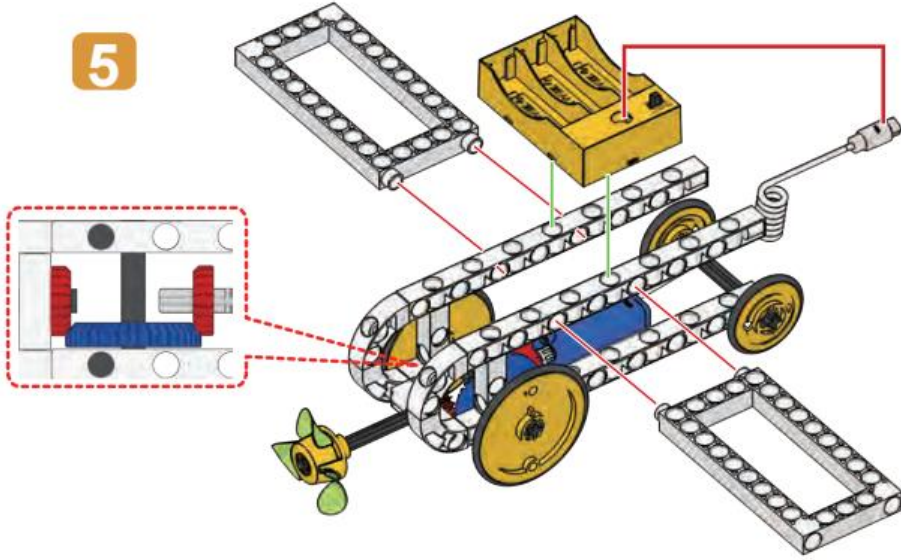


												
4	12	13	15	20	22	23	26	27	30	31	35	
x4	x6	x2	x1	x4	x1	x2	x2	x1	x2	x2	x2	

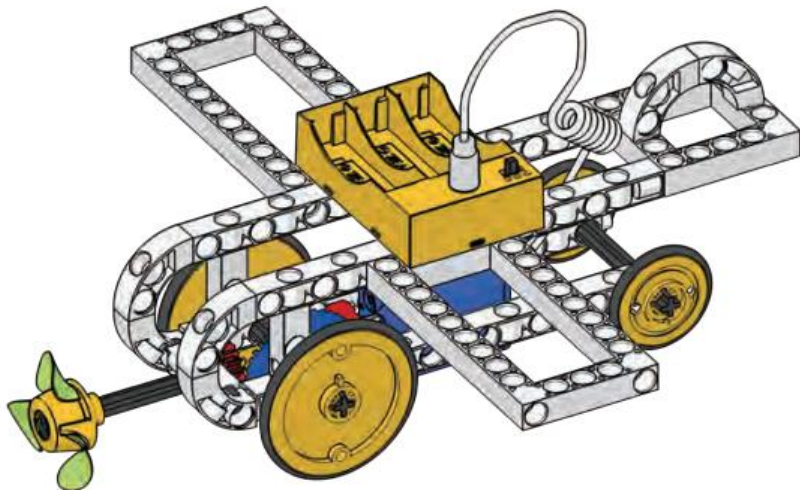
  

					
36	38	41	1	2	3
x2	x3	x1	x1	x1	x1





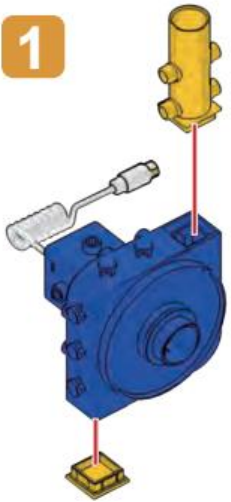
完成  
Done



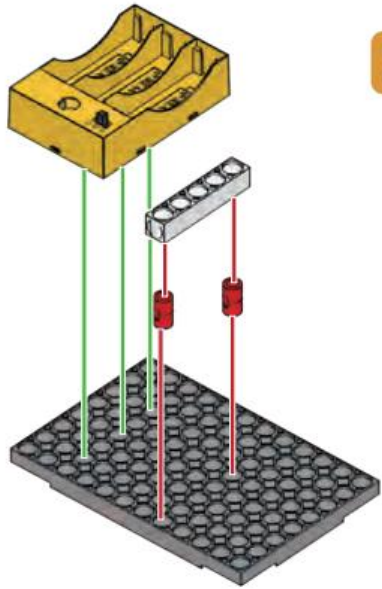


4	12	17	20	41	42	2	4	6	7
x3	x4	x1	x1	x1	x1	x1	x1	x1	x1

1



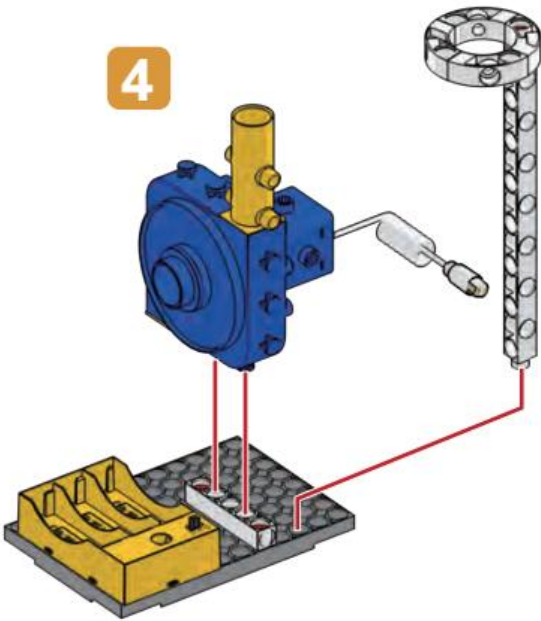
2



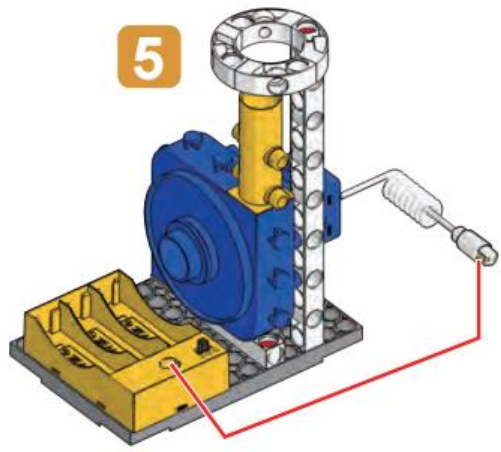
3



4



5



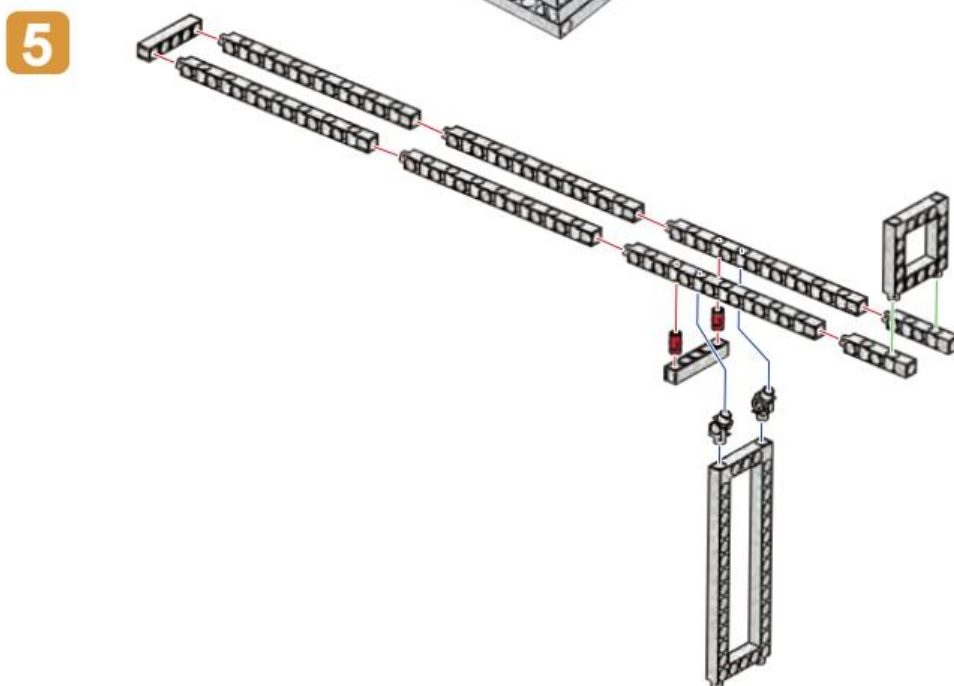
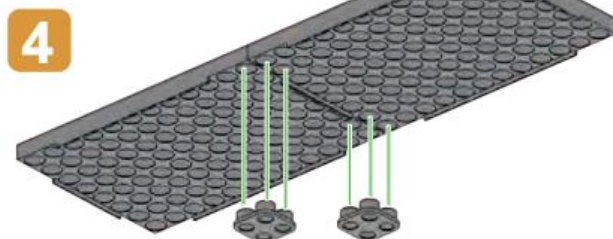
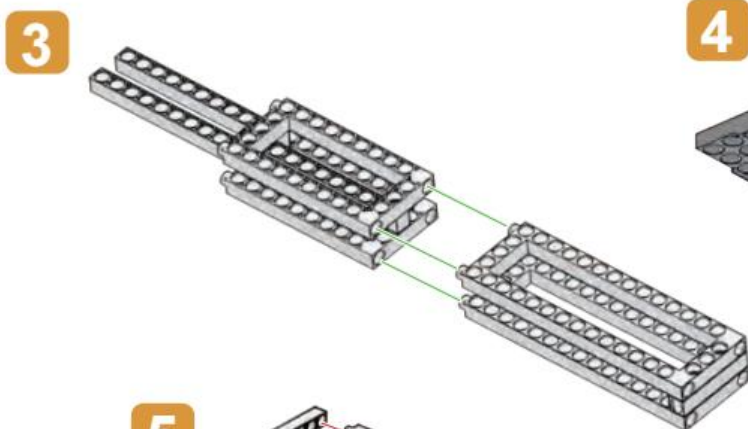
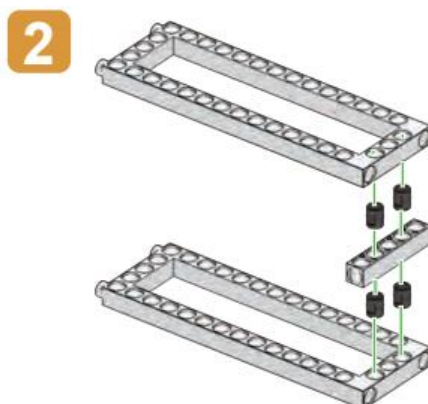
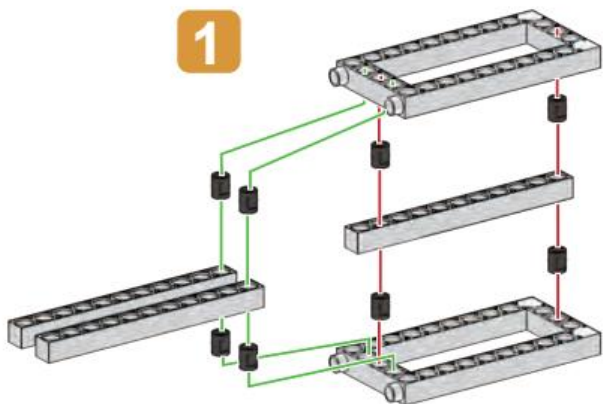
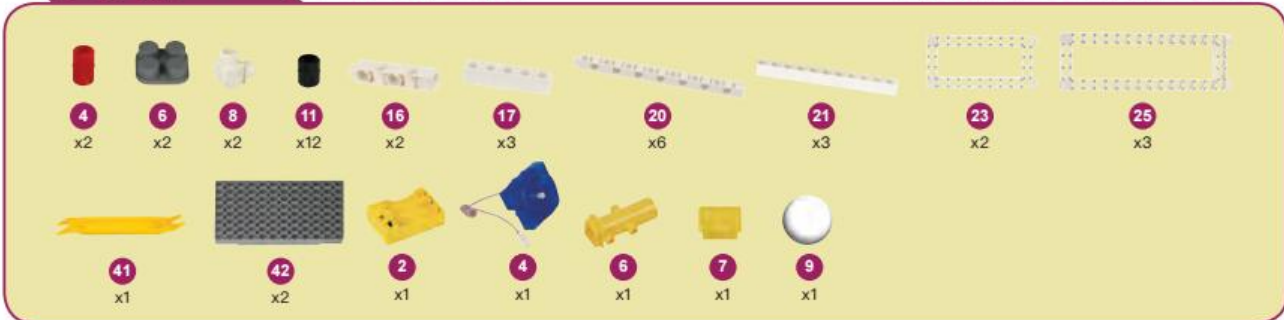
完成  
Done



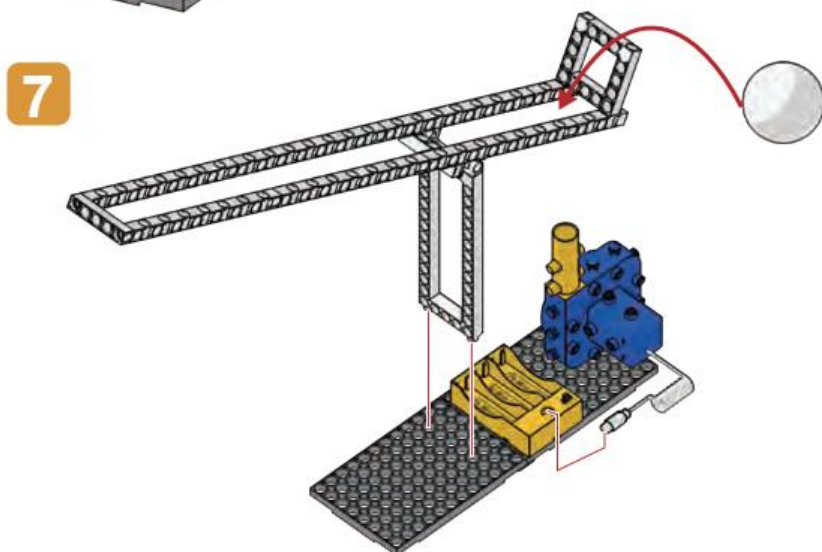
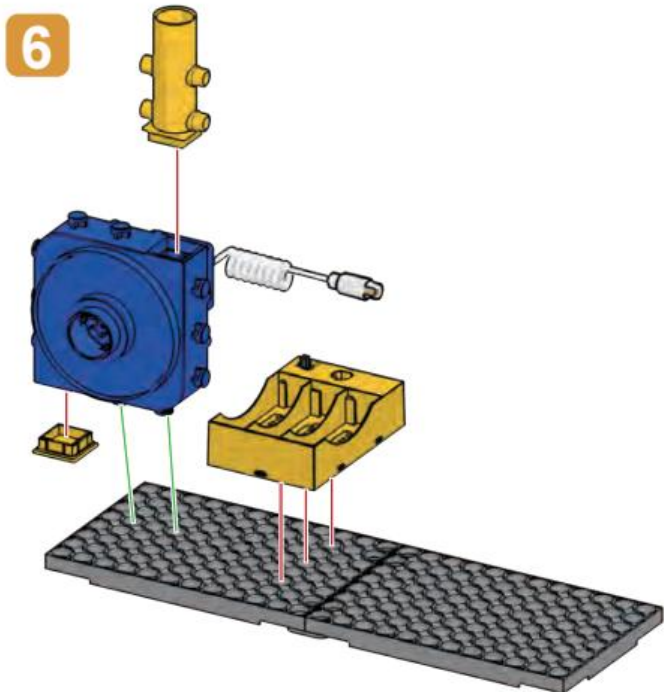
## 擊球機

## Pop-up Batter

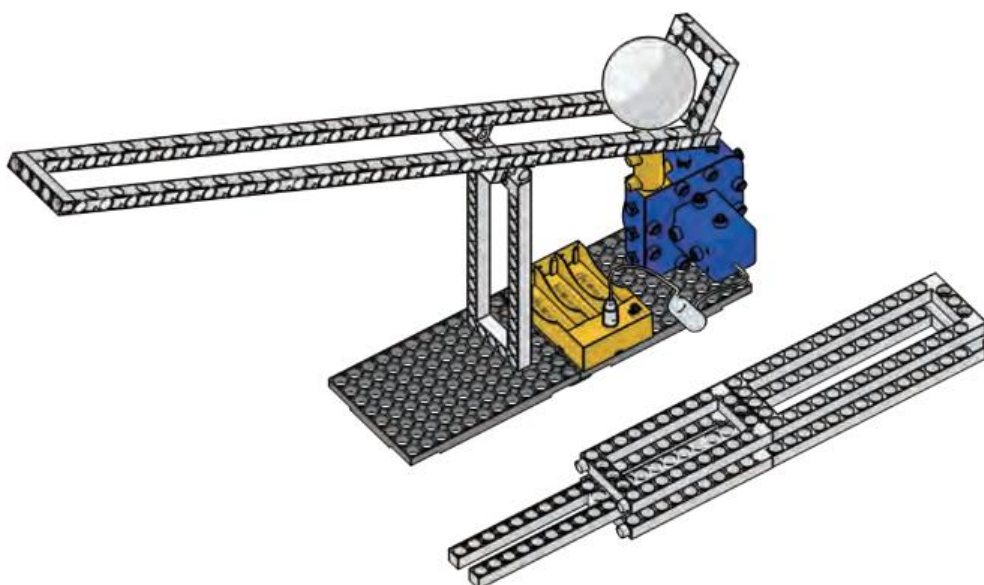
## 需用零件 Parts Needed







完成  
Done

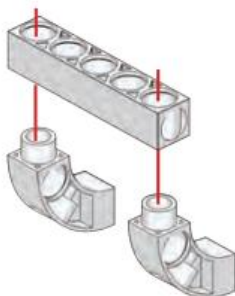


2	11	12	16	17	24	25	30	31	35	36	41
x4	x2	x4	x4	x2	x1	x1	x2	x2	x2	x2	x1

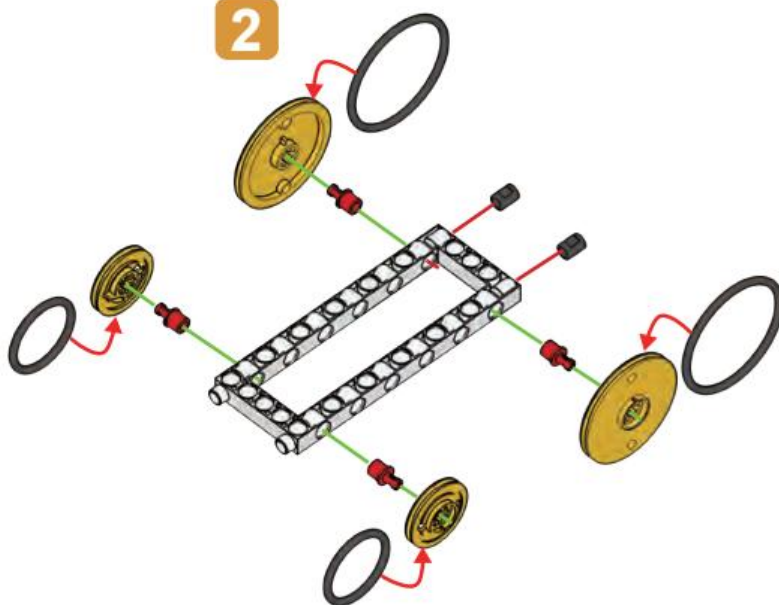
  

2	4	6	7	8
x1	x1	x1	x1	x2

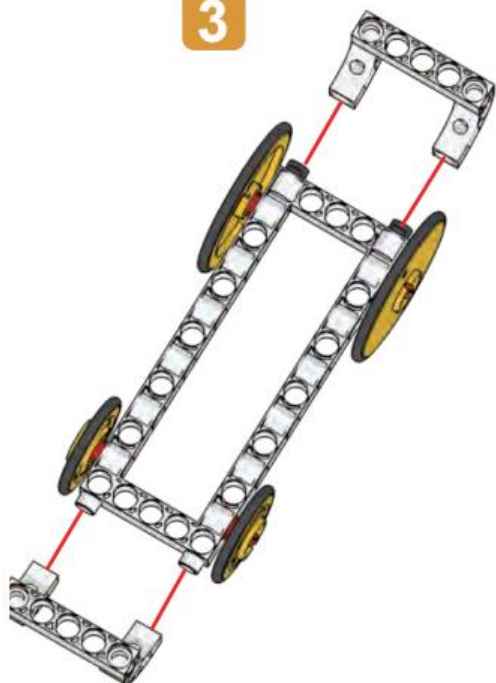
1 x2



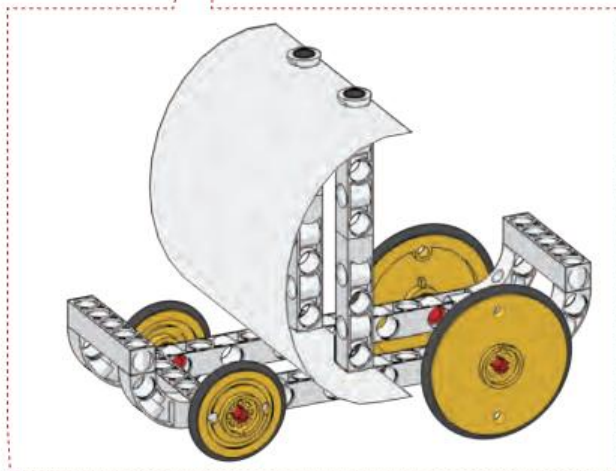
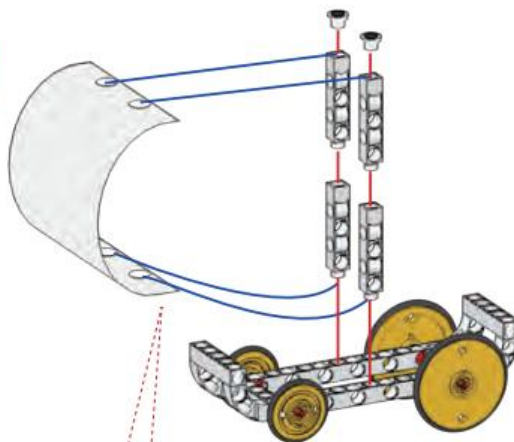
2



3

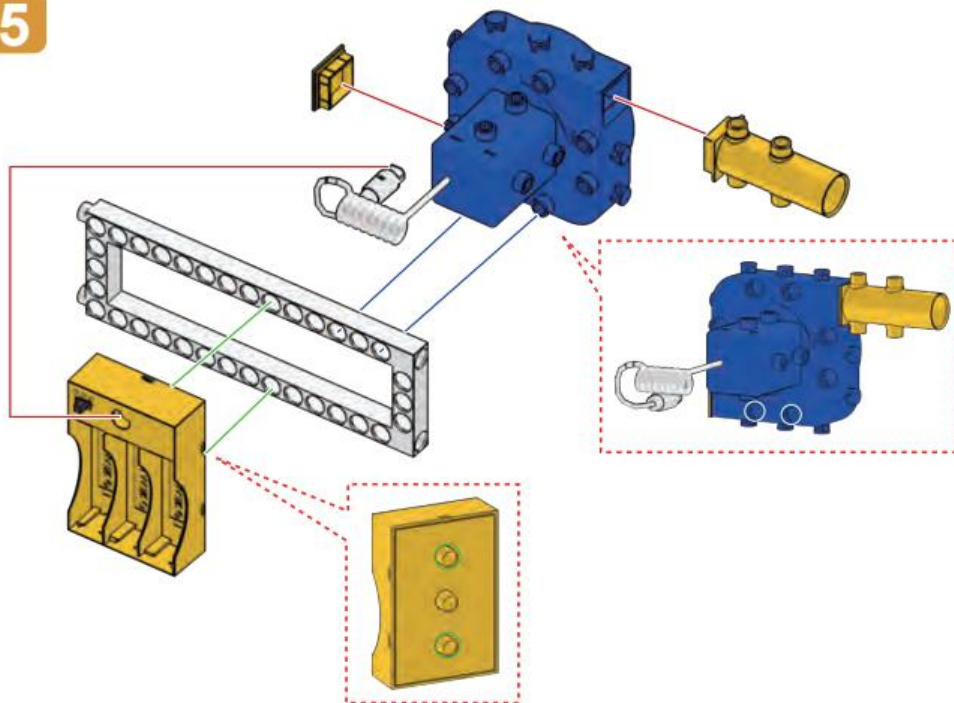


4

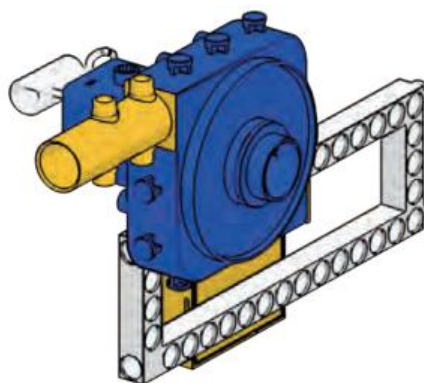
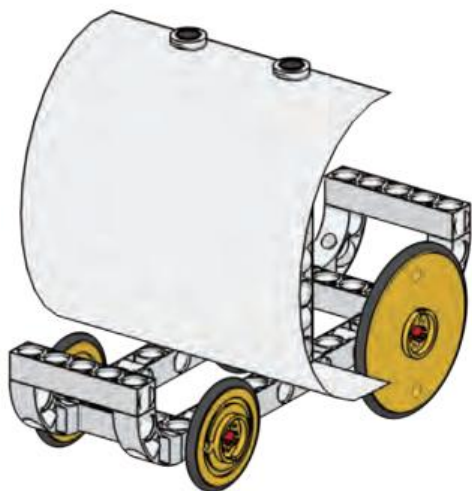




5



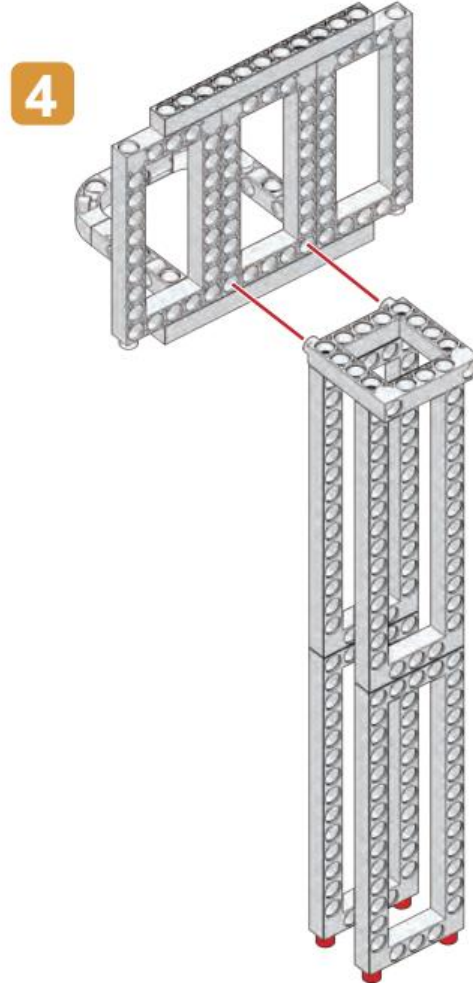
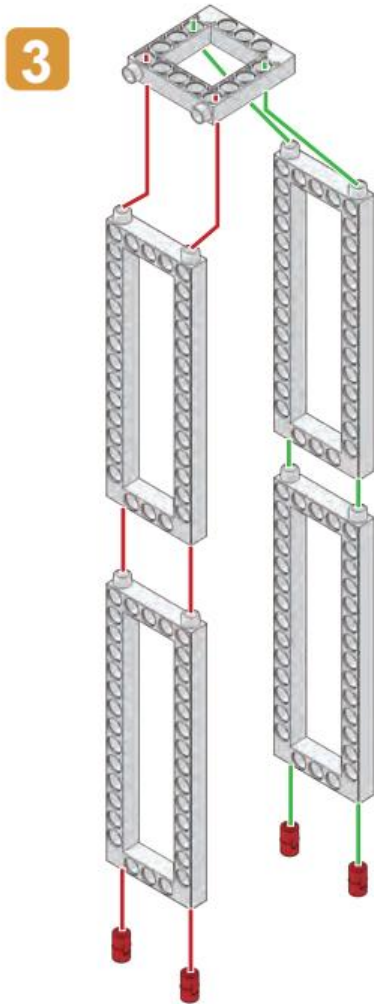
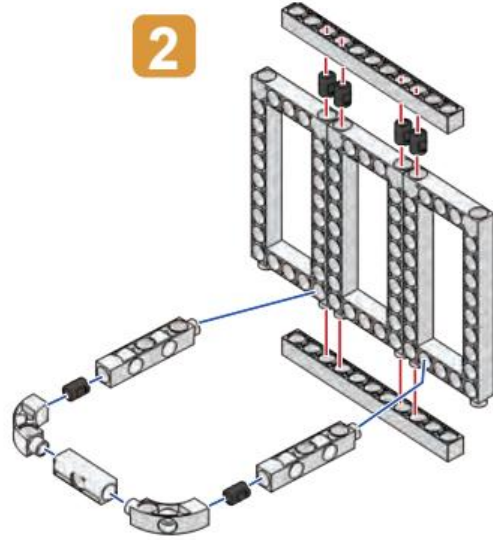
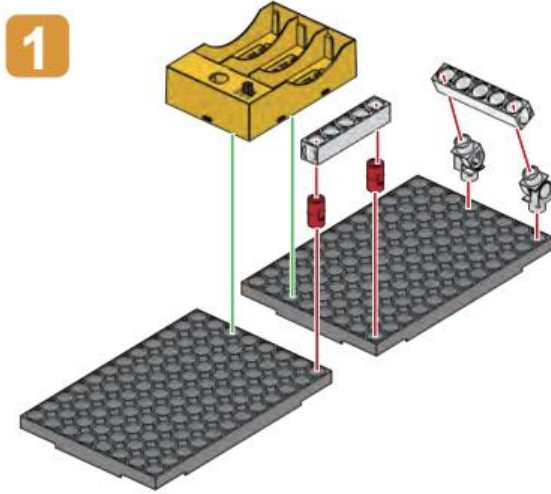
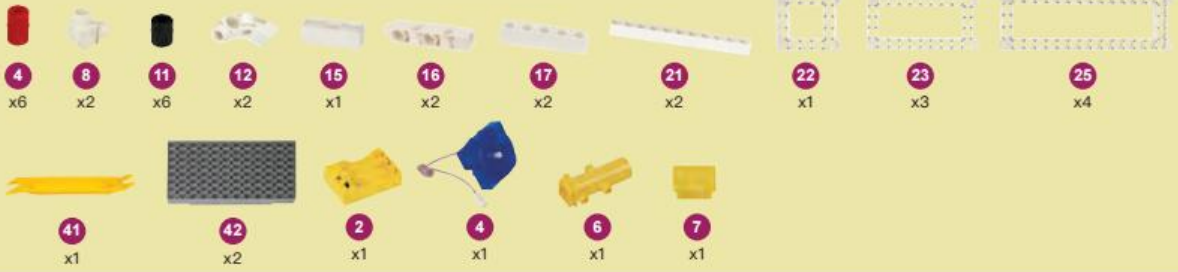
完成  
Done



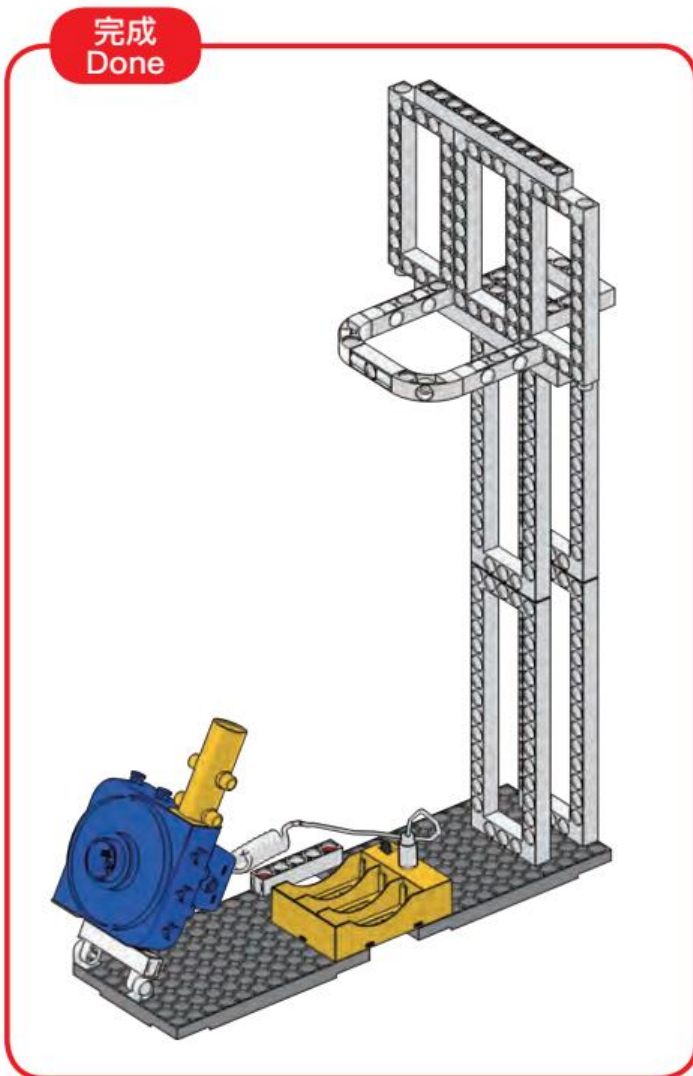
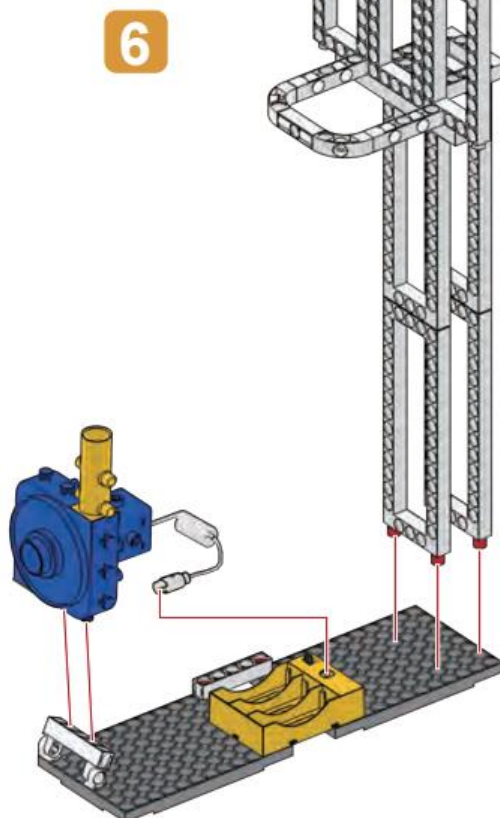
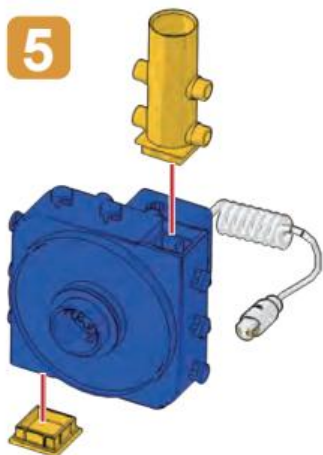
## 投籃機

## Ball Shooting Machine

## 需用零件 Parts Needed



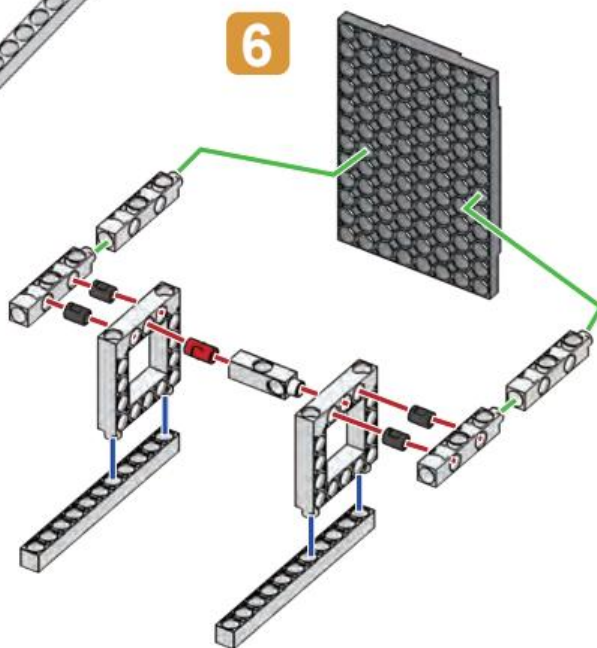
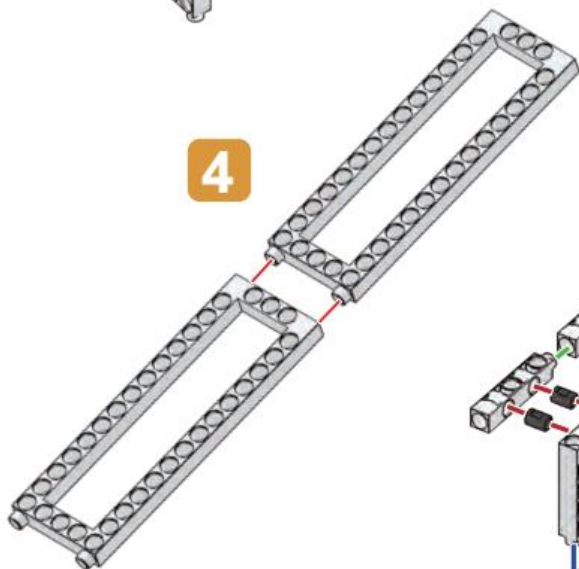
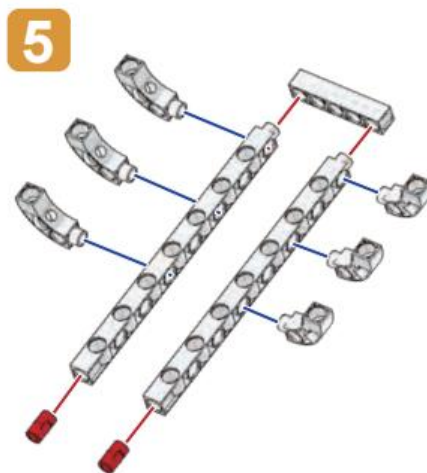
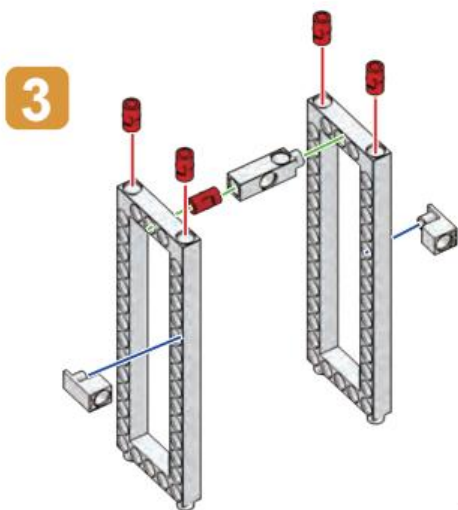
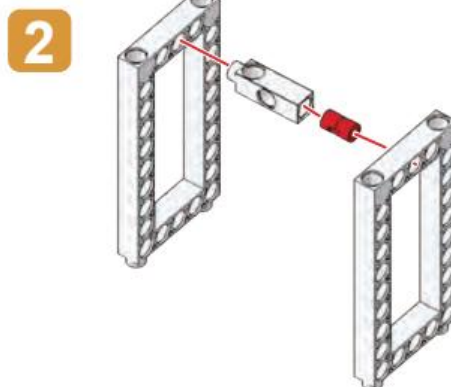
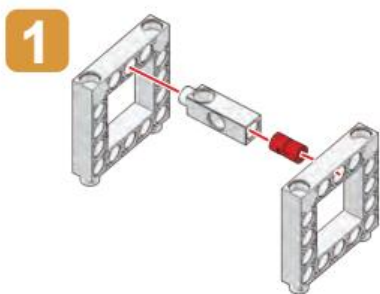




## 帶球上籃

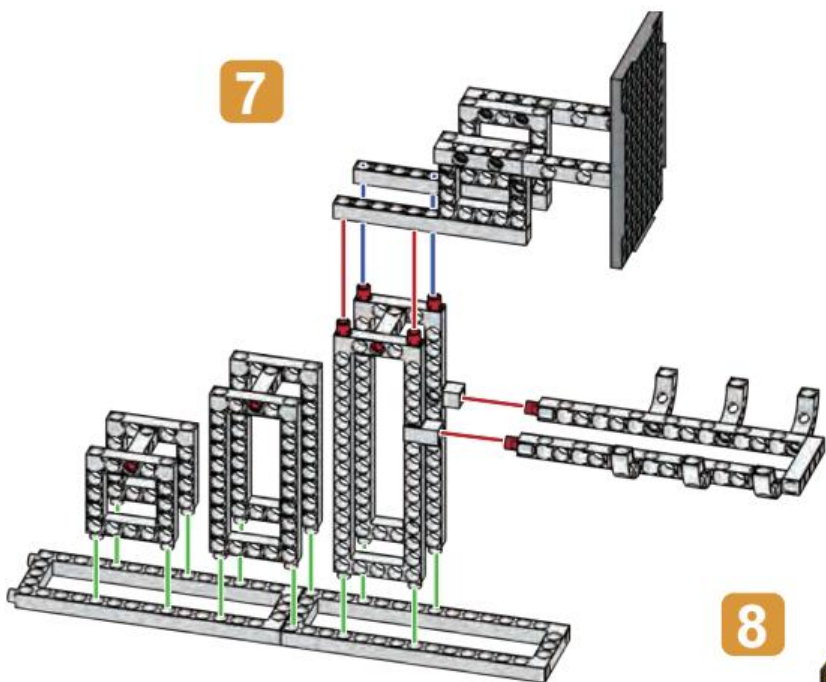
## Climbing Up Ball

## 需用零件 Parts Needed

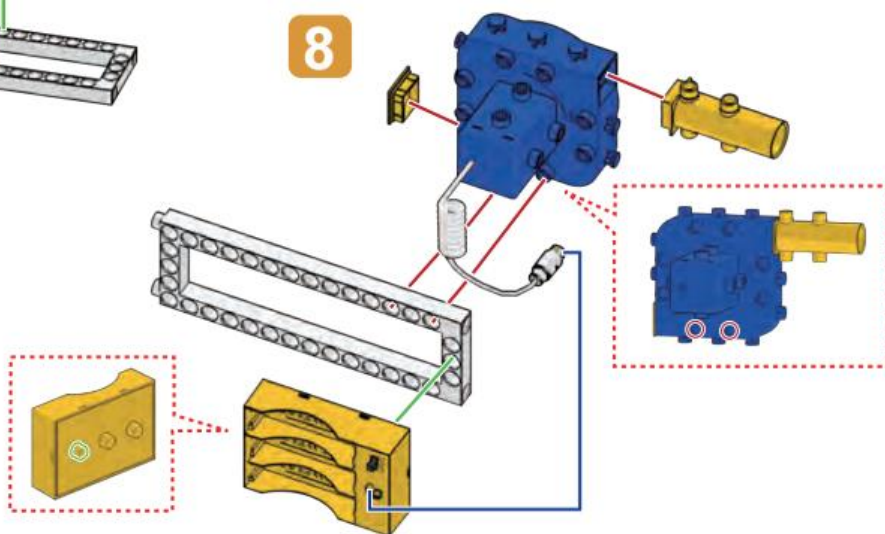




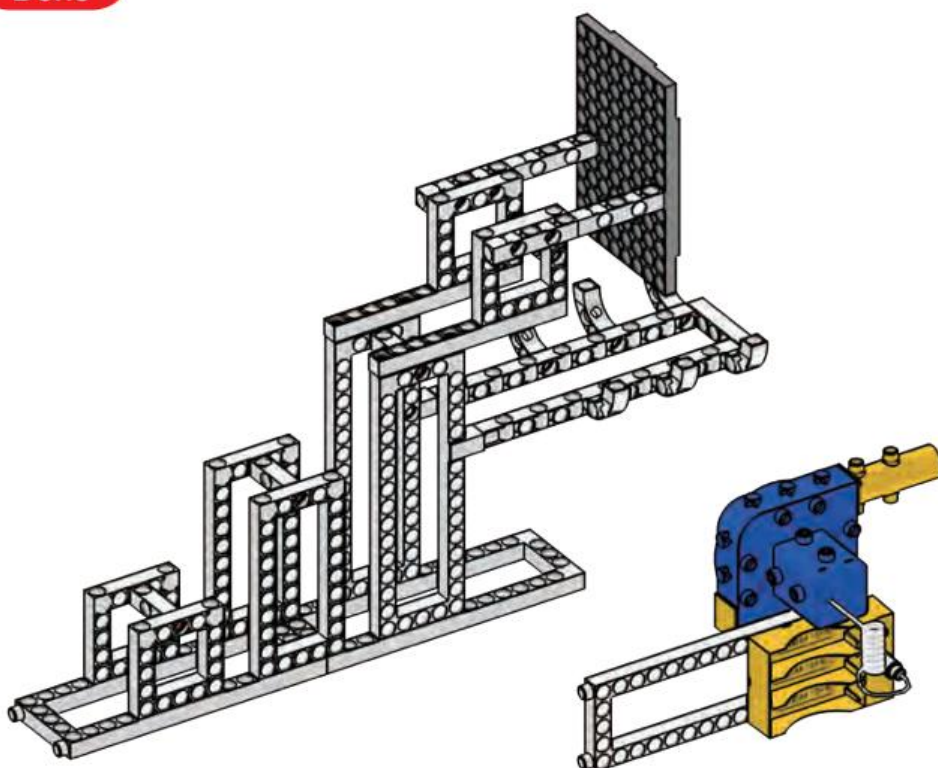
7



8



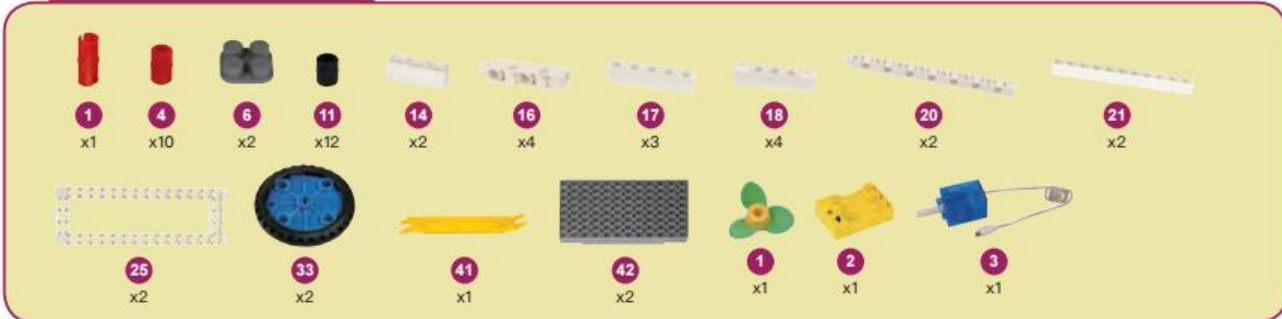
完成  
Done



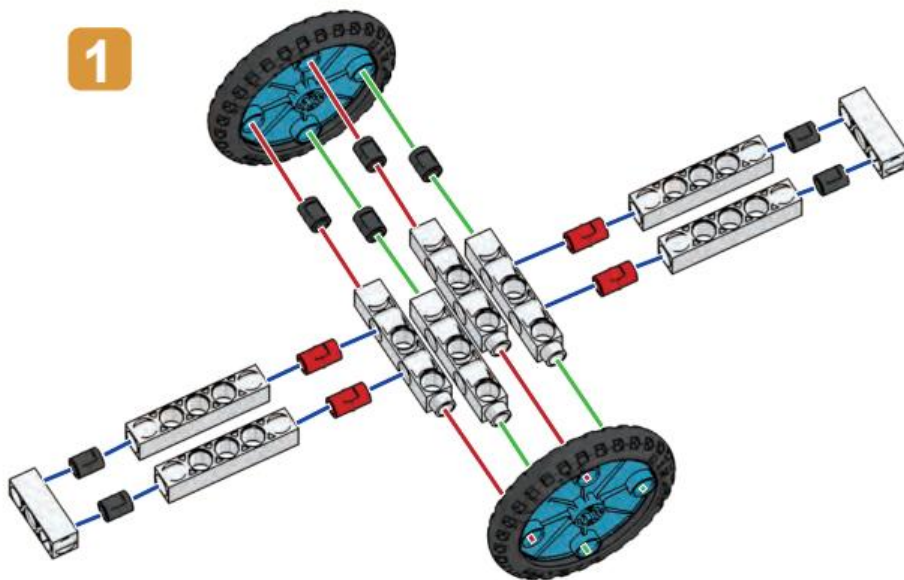
## 衛星模擬器

## Satellite

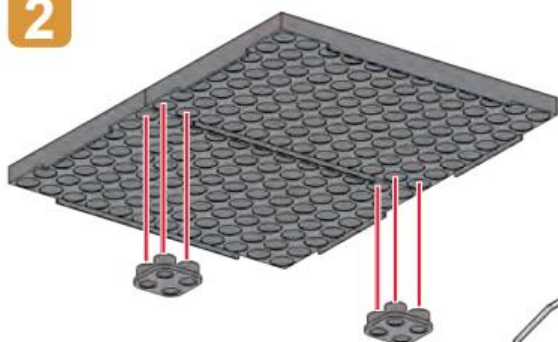
## 需用零件 Parts Needed



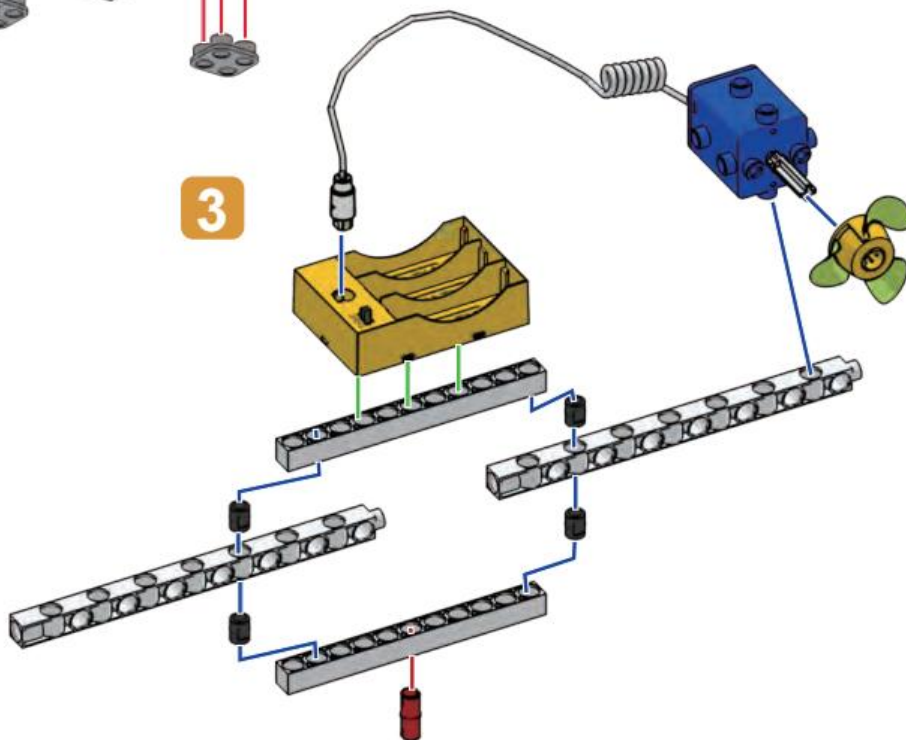
1



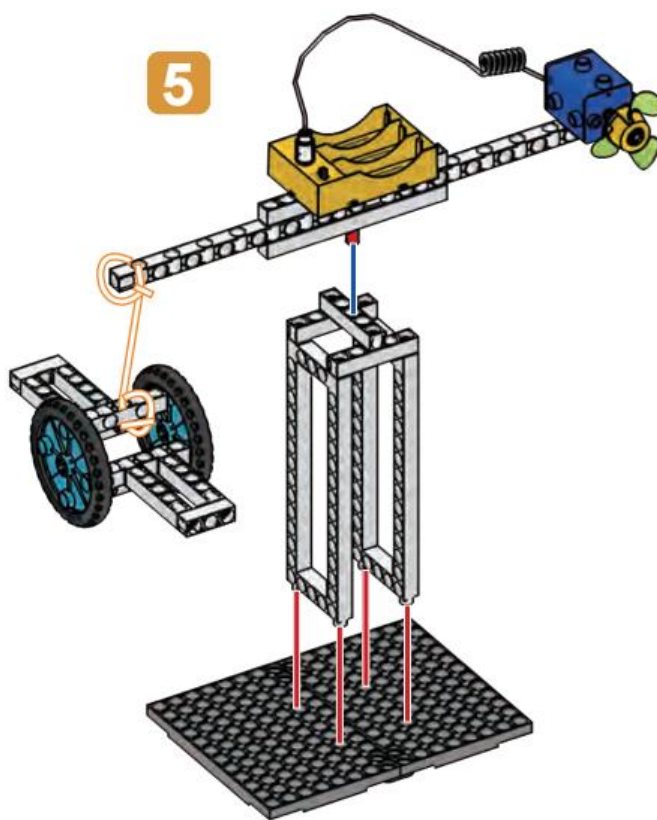
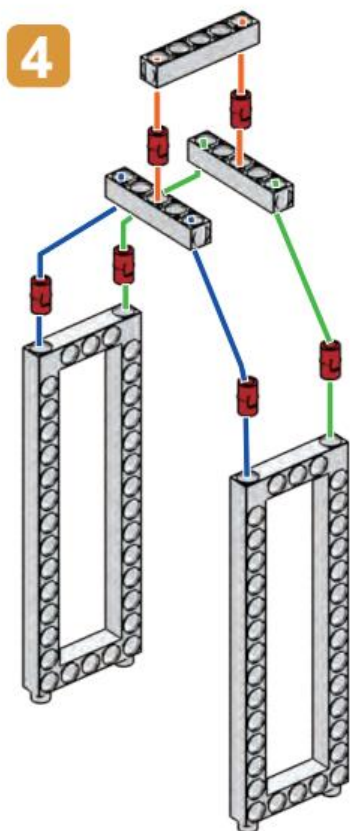
2



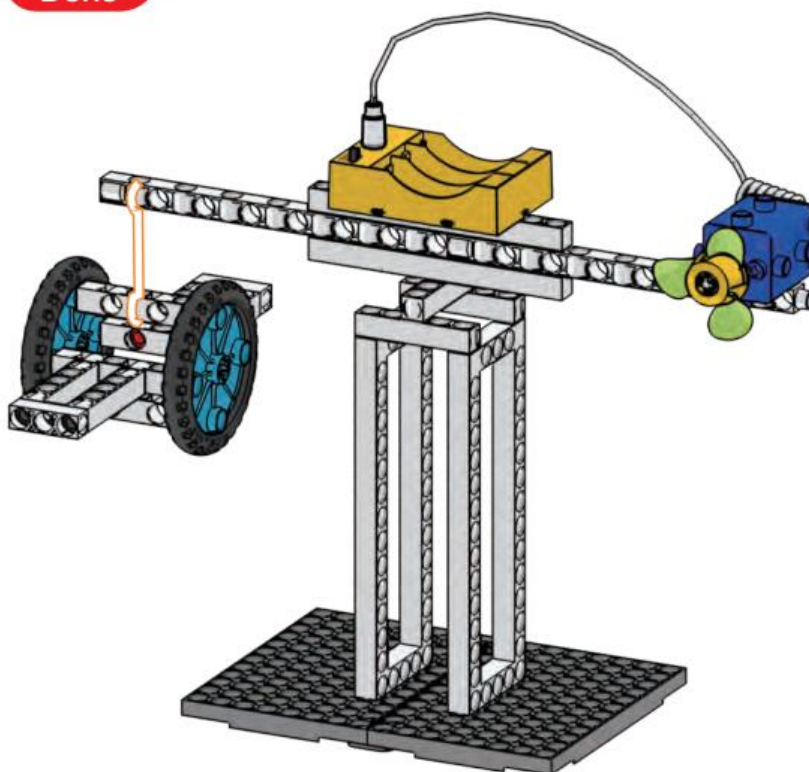
3







完成  
Done



## 旋轉火箭

## Carousel

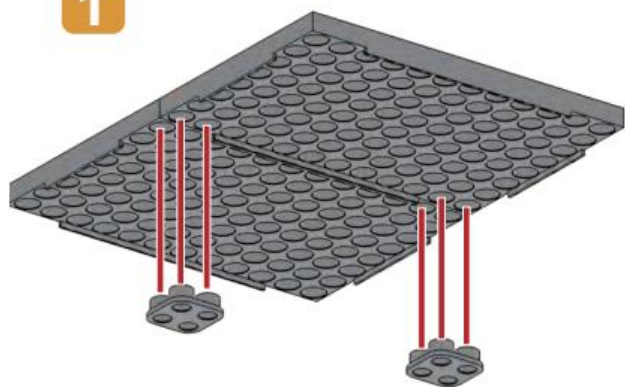
## 需用零件 Parts Needed

1	4	6	7	9	10	11	12	13	17	21	28
x2	x4	x2	x1	x2	x2	x4	x4	x2	x1	x6	x1

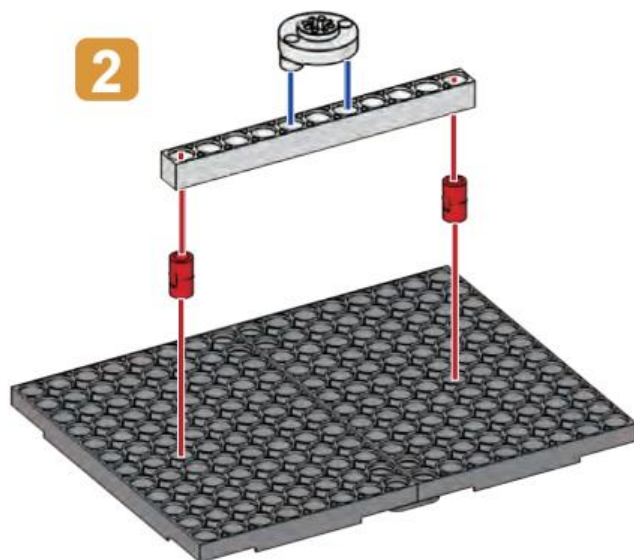
  

41	42	2	4
x1	x2	x1	x1

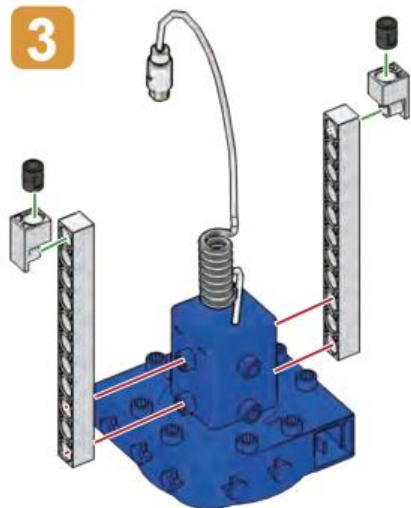
1



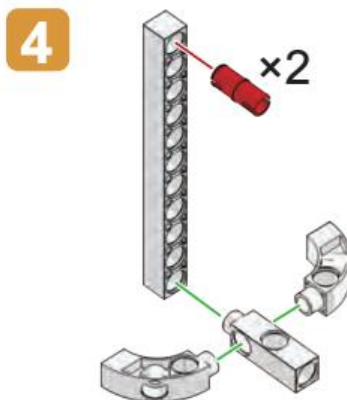
2



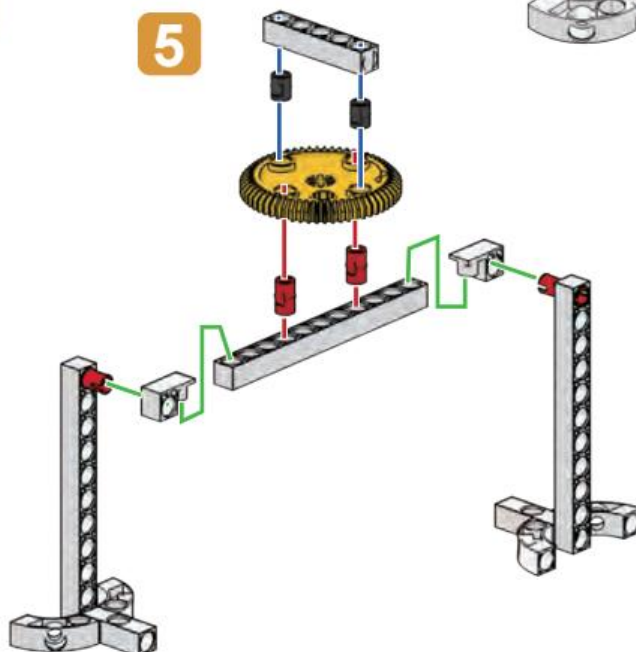
3



4

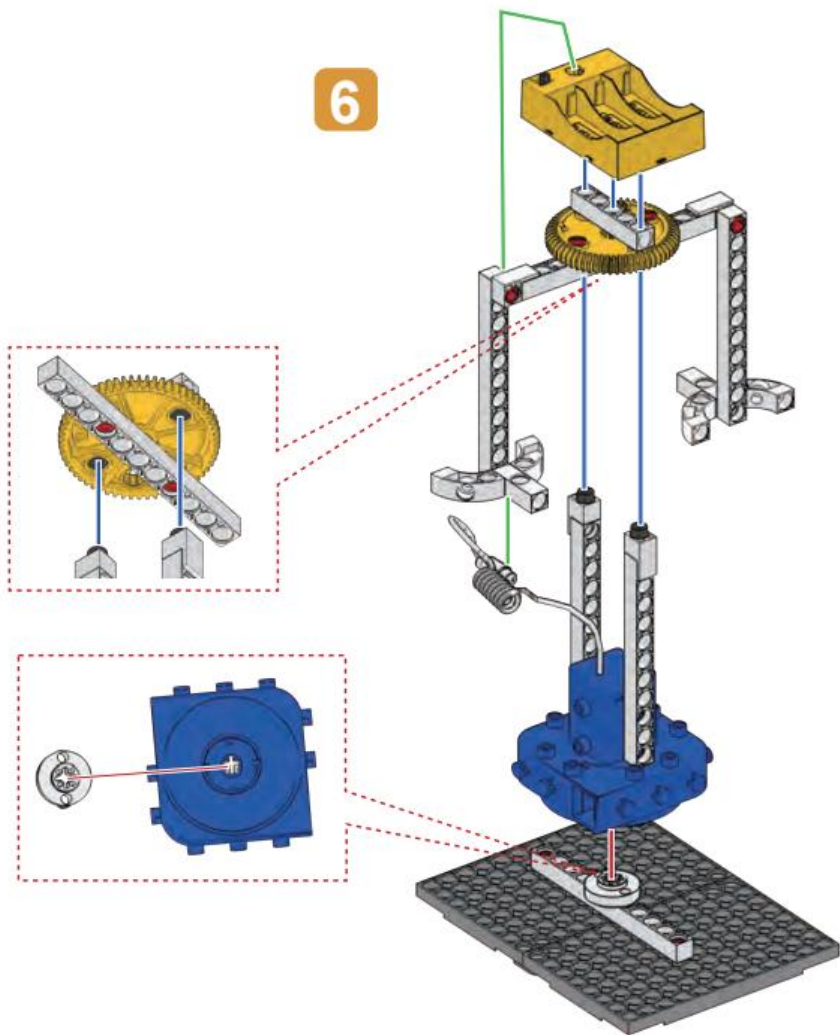


5

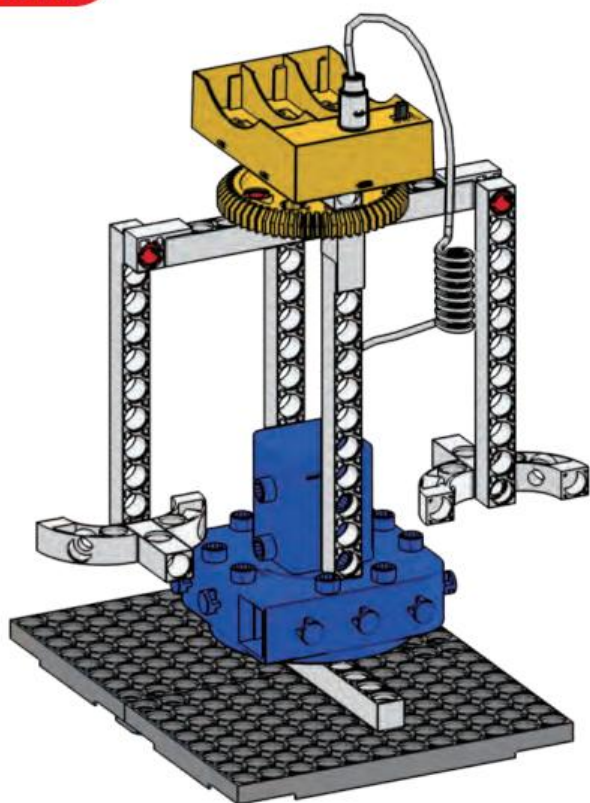


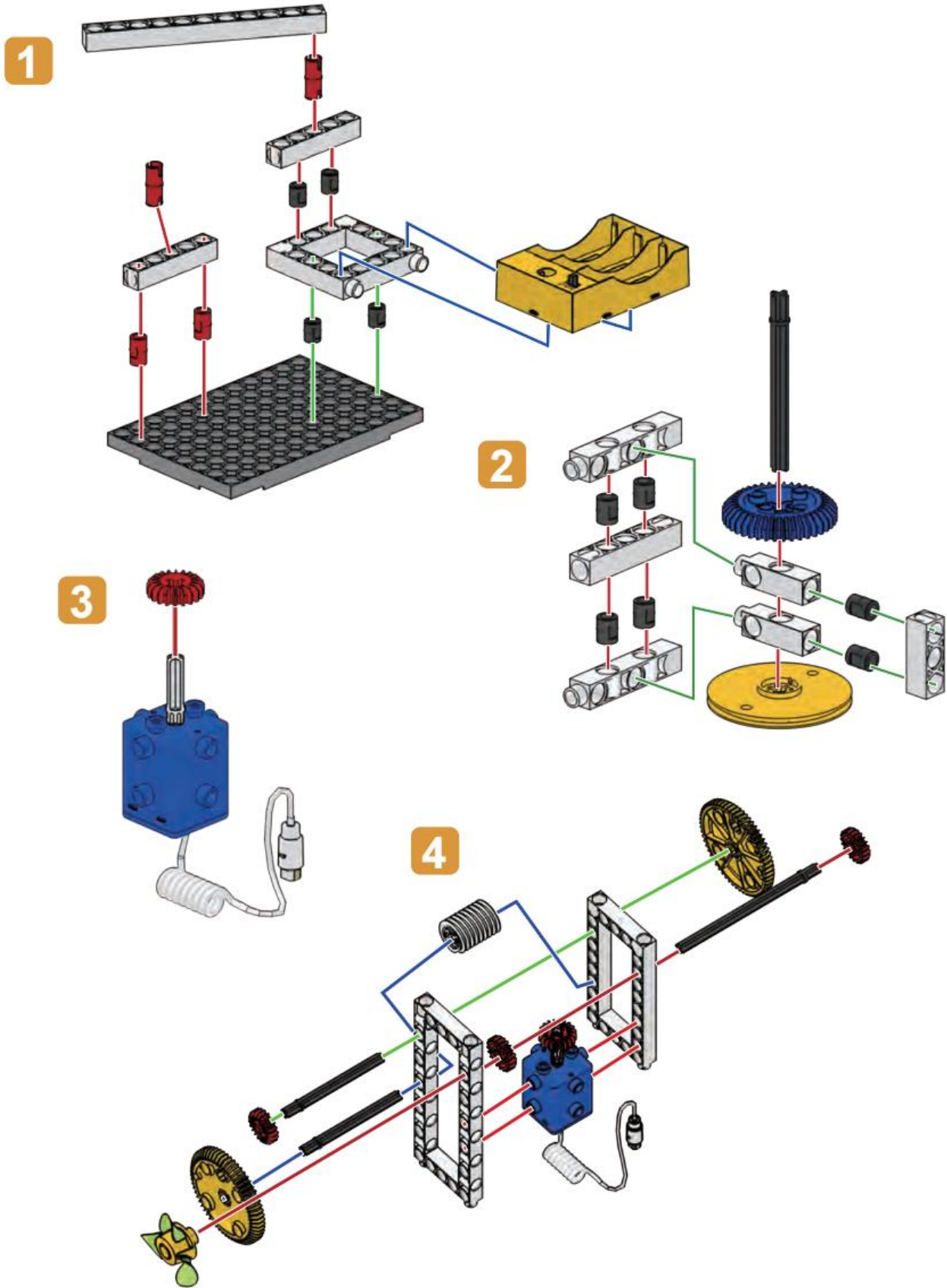
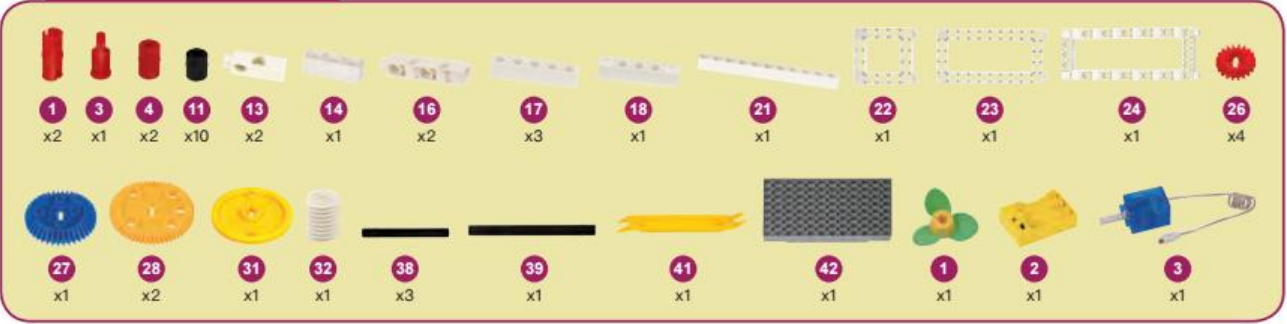


6

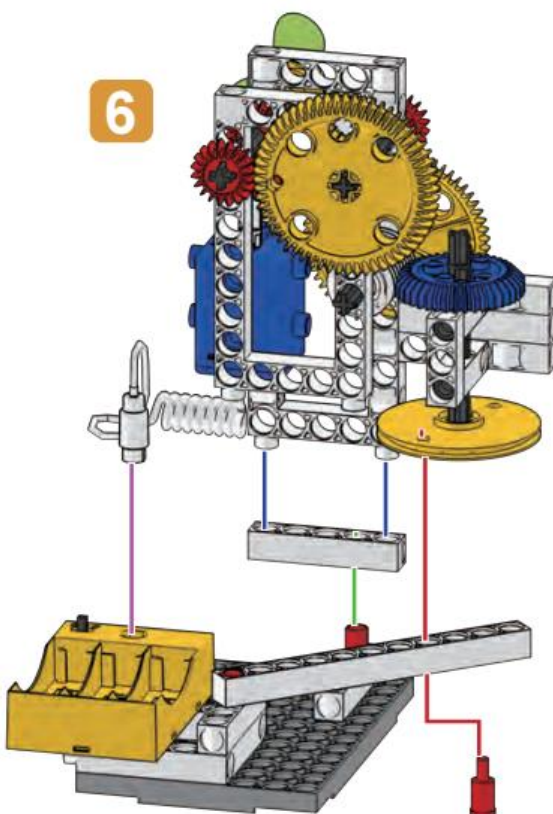
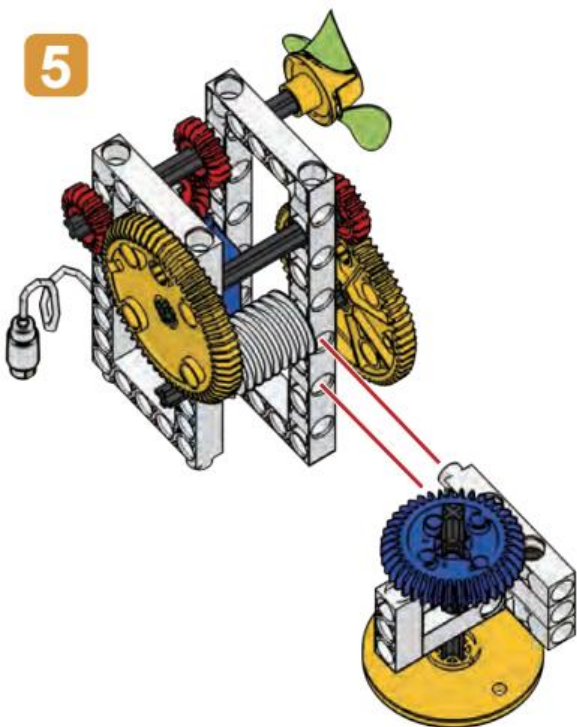


完成  
Done

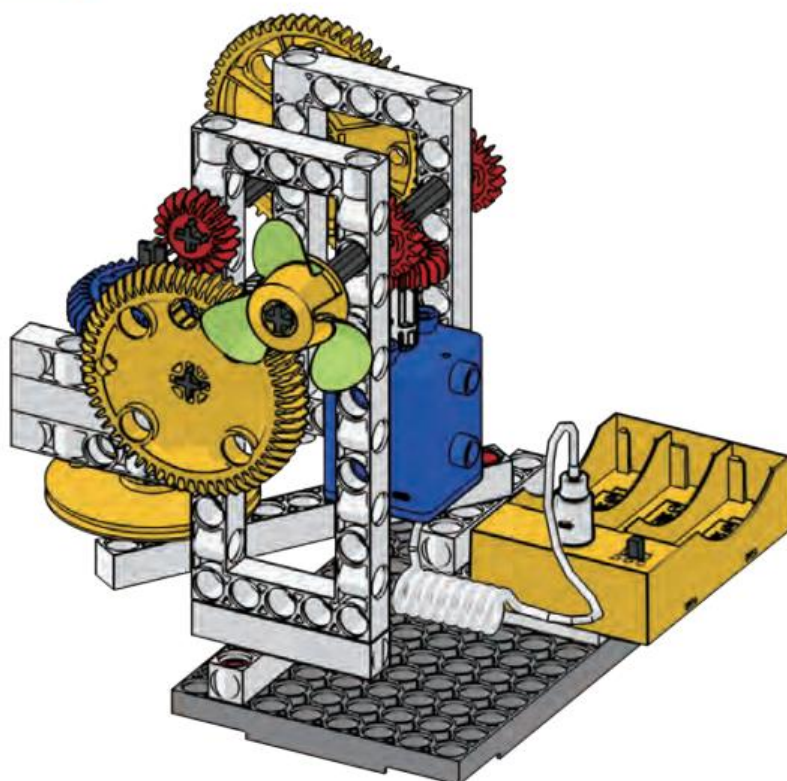




Knowledge comes from experience alone #1264



完成  
Done

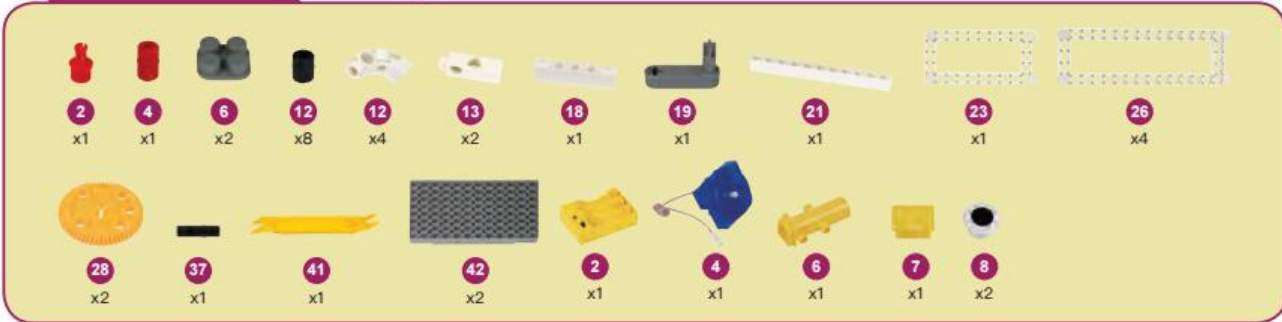




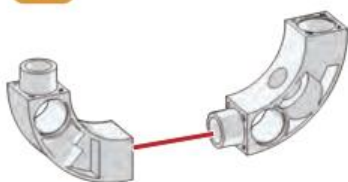
## 篩穀機

## Blowing Filter

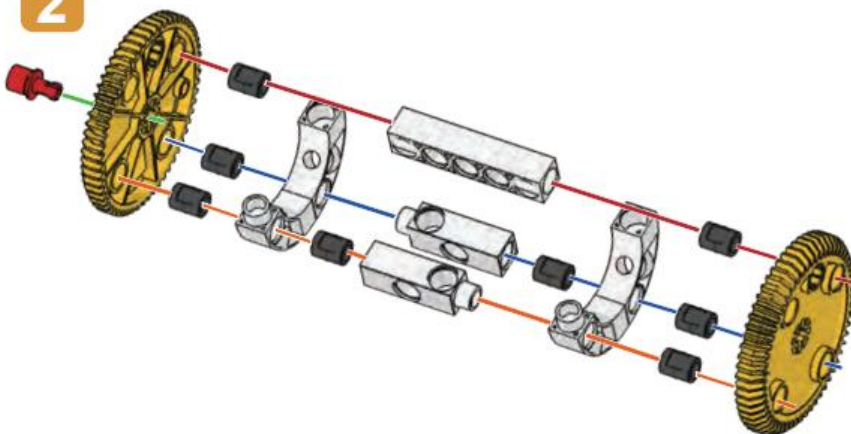
## 需用零件 Parts Needed



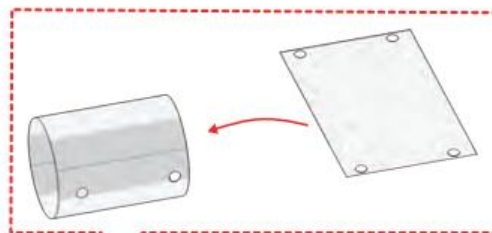
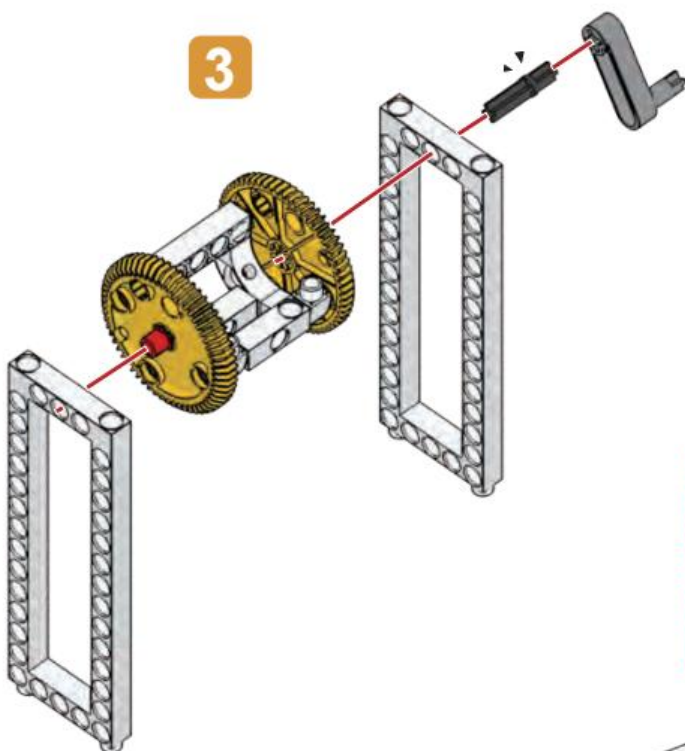
**1** x2



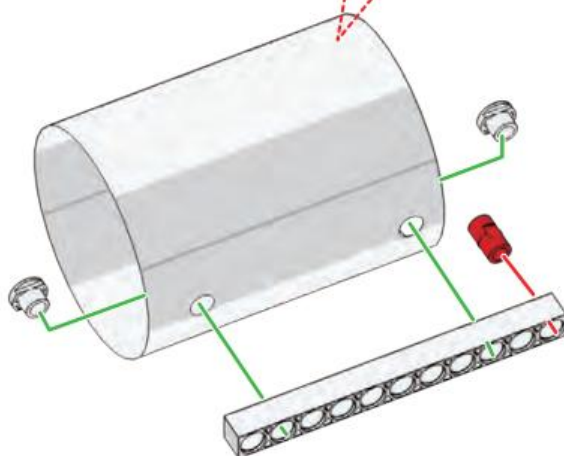
**2**

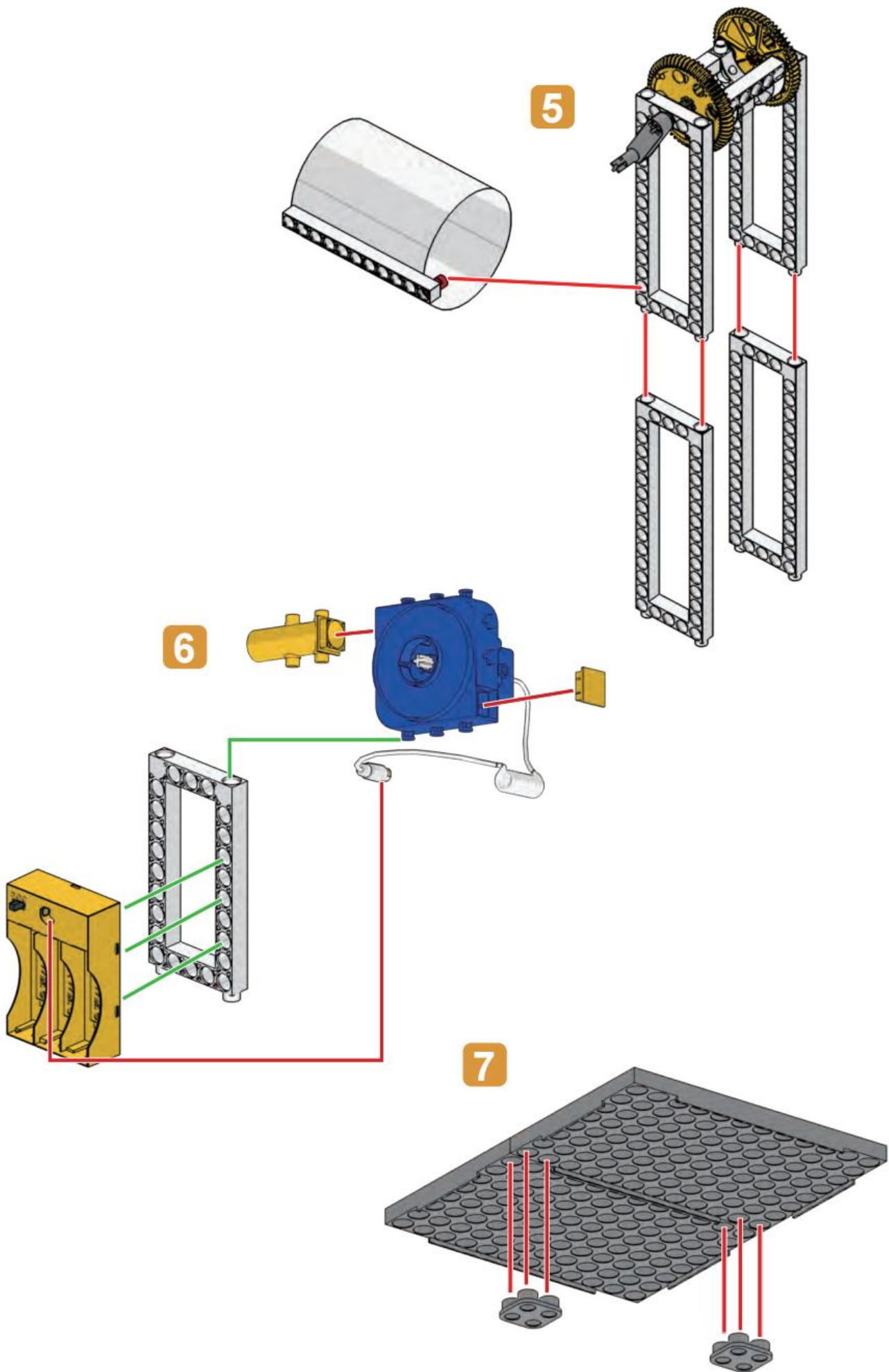


**3**

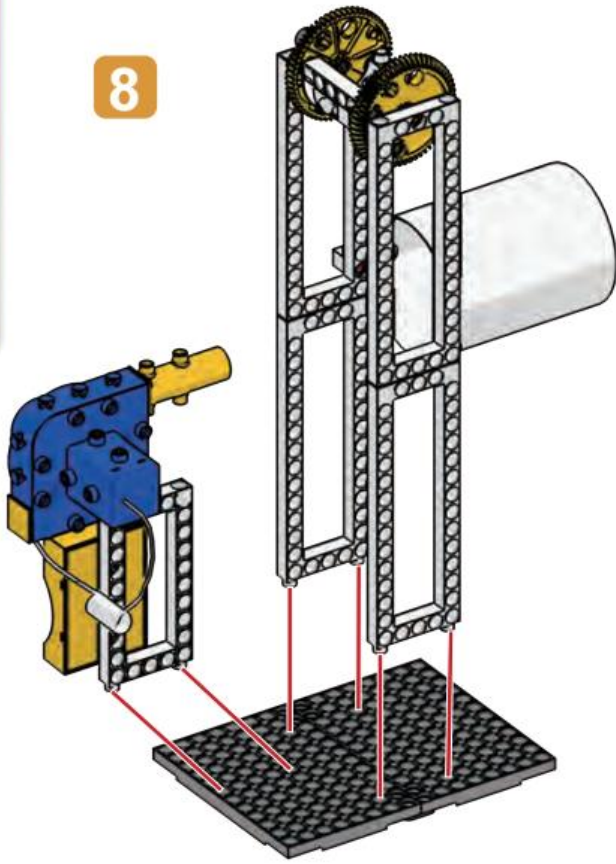


**4**

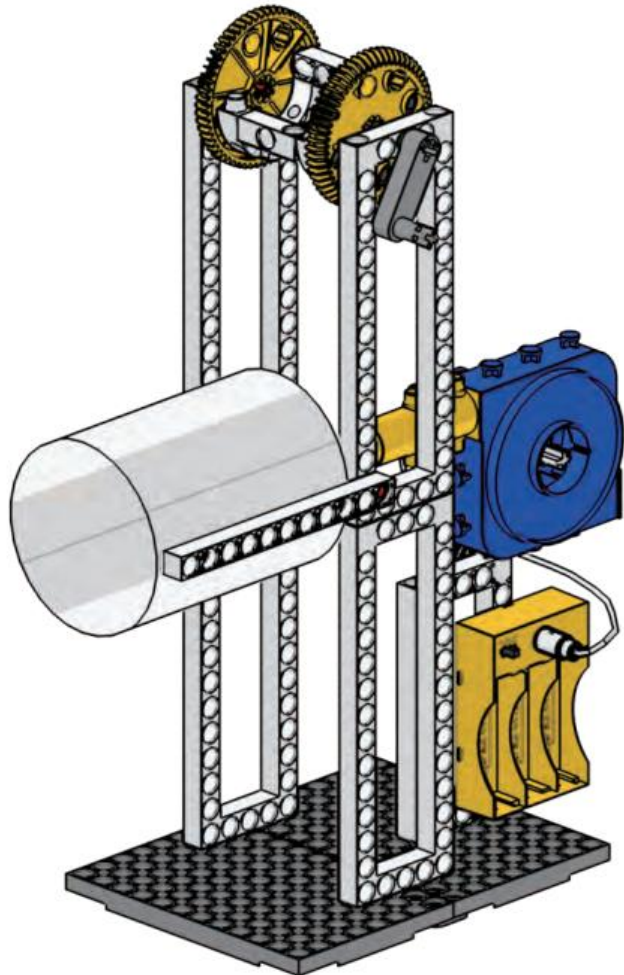








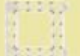
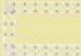
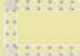








8



完成  
Done



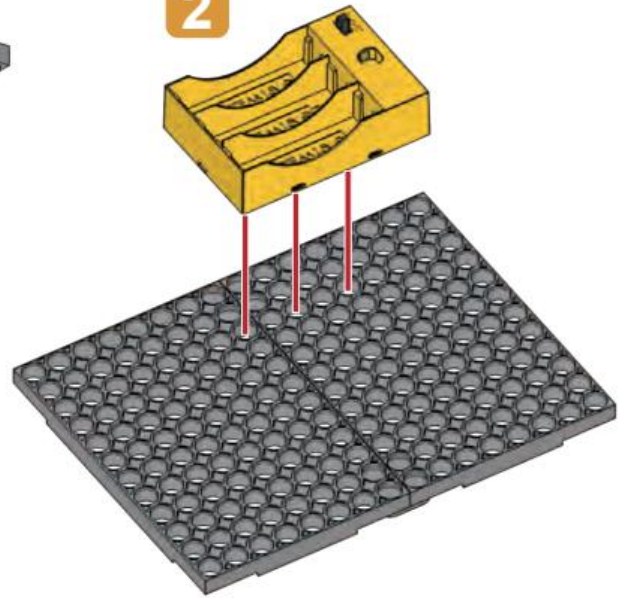


									
4 x1	6 x2	12 x2	13 x1	22 x1	23 x1	26 x1	37 x1	41 x1	42 x2
									
1 x1	2 x1	4 x1	6 x1	7 x1					

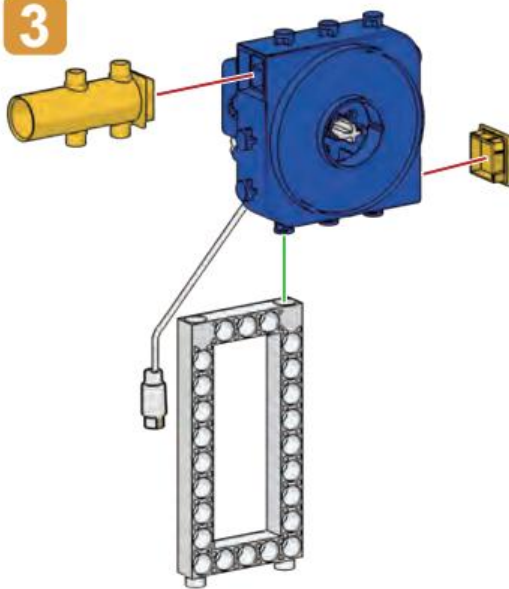
1



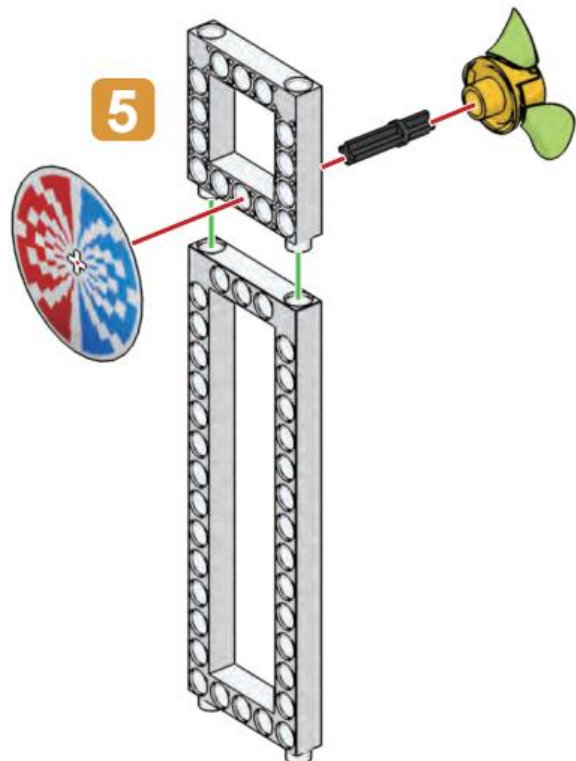
2



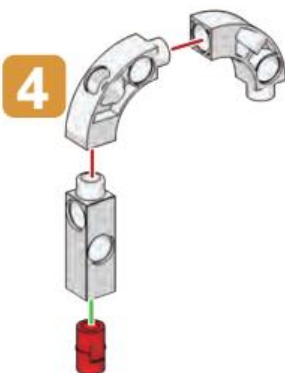
3

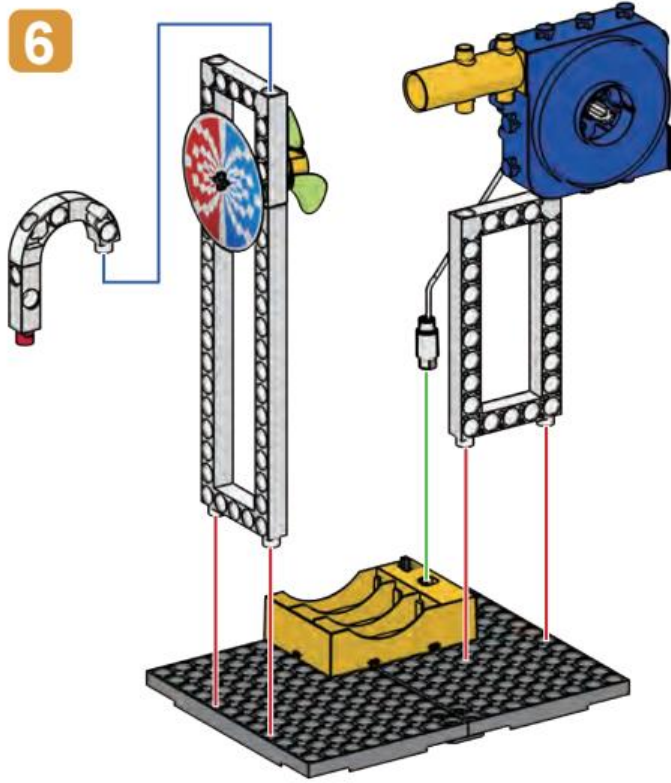


5

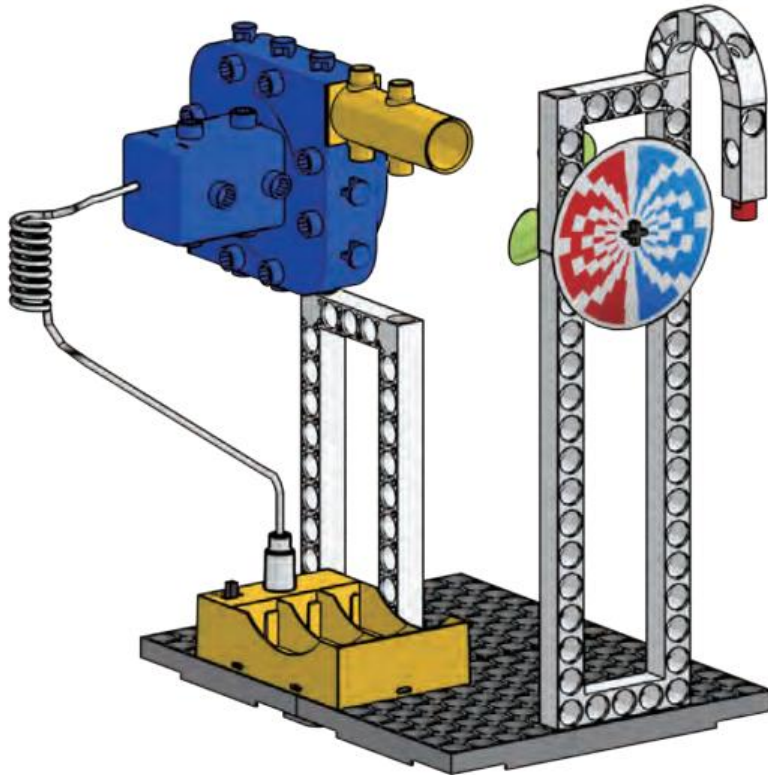


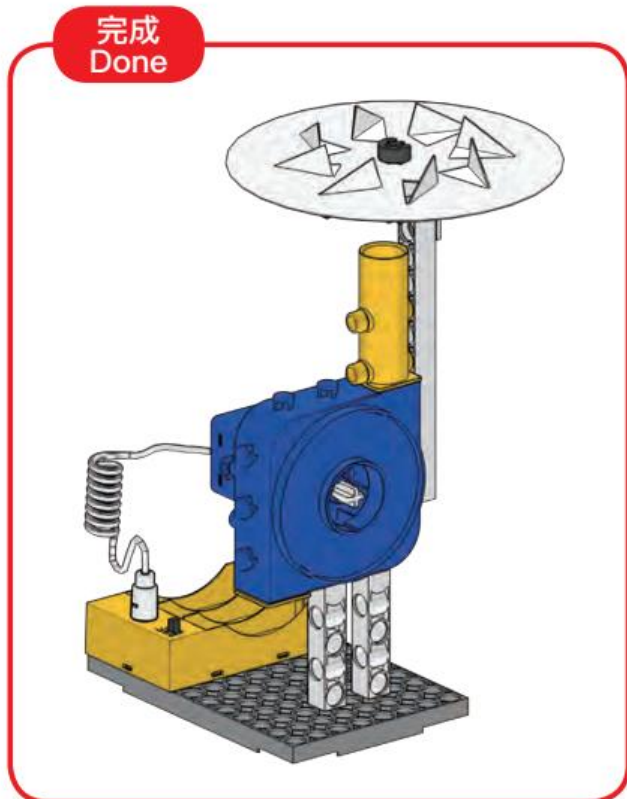
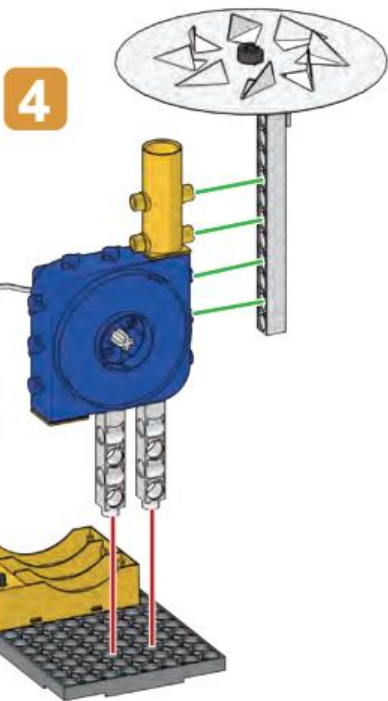
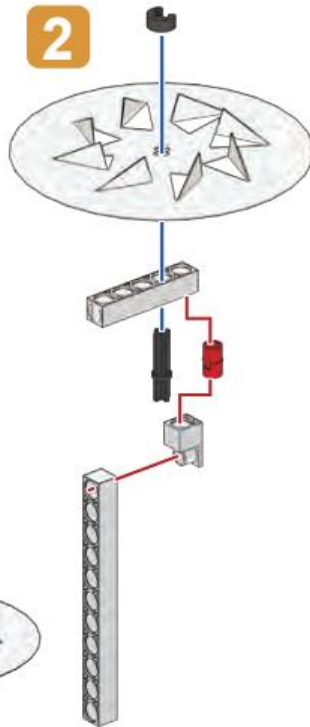
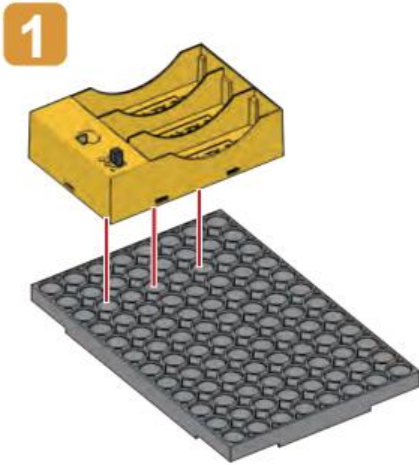
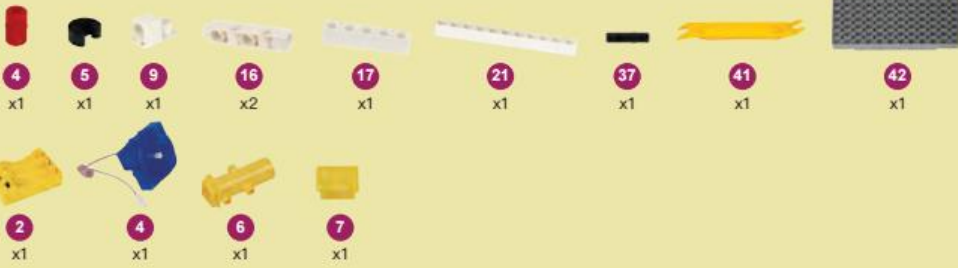
4





完成  
Done





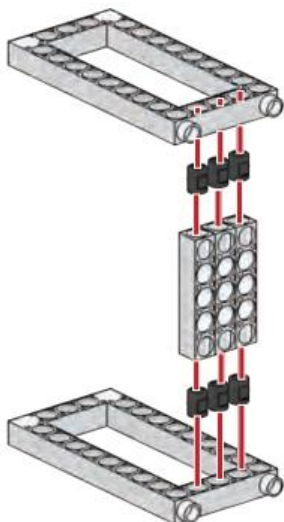


4	12	13	18	21	22	23	24
x3	x6	x2	x3	x2	x2	x4	x1

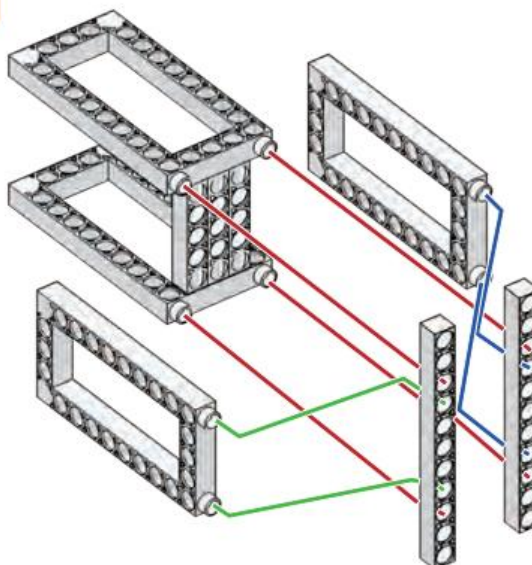
  

1	2	3	8
x1	x1	x1	x2

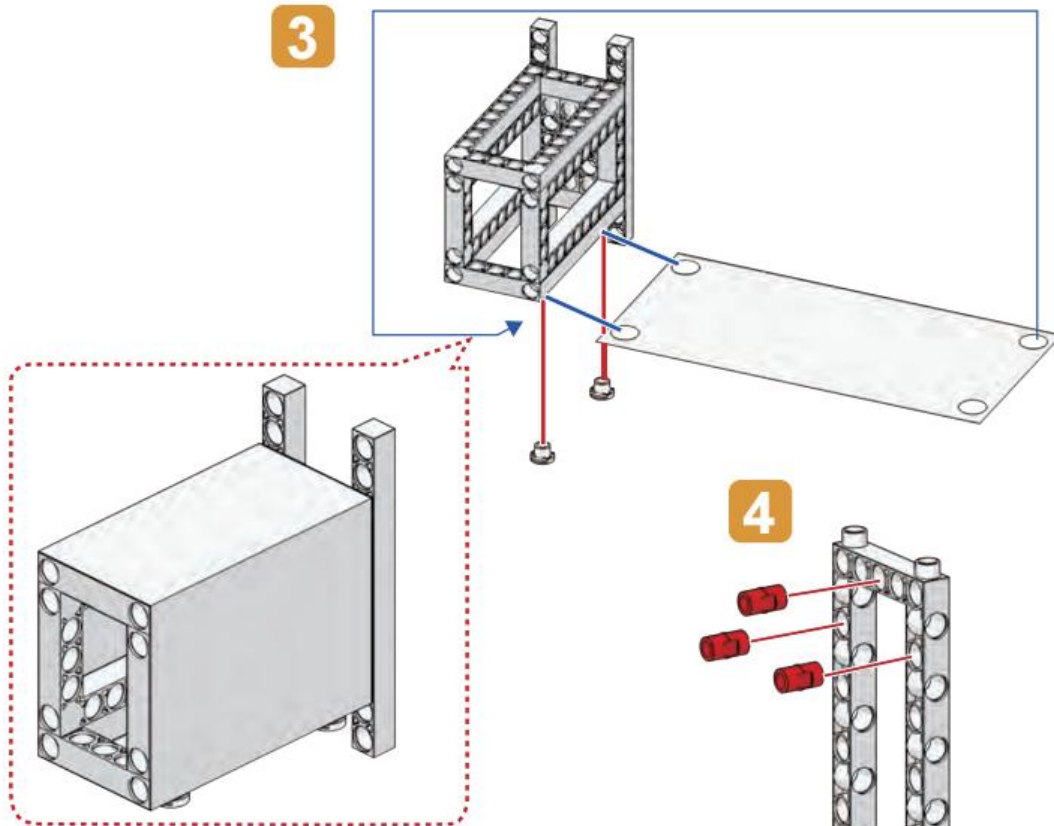
1



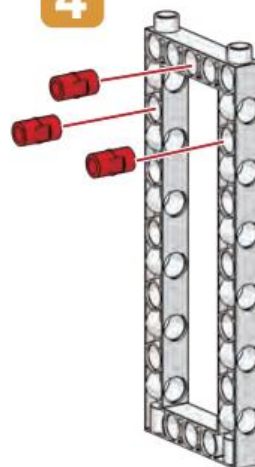
2



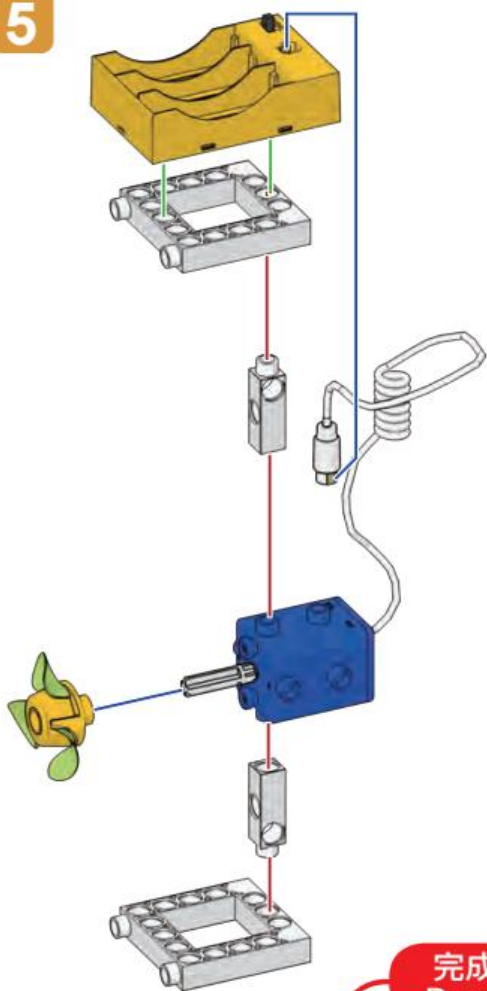
3



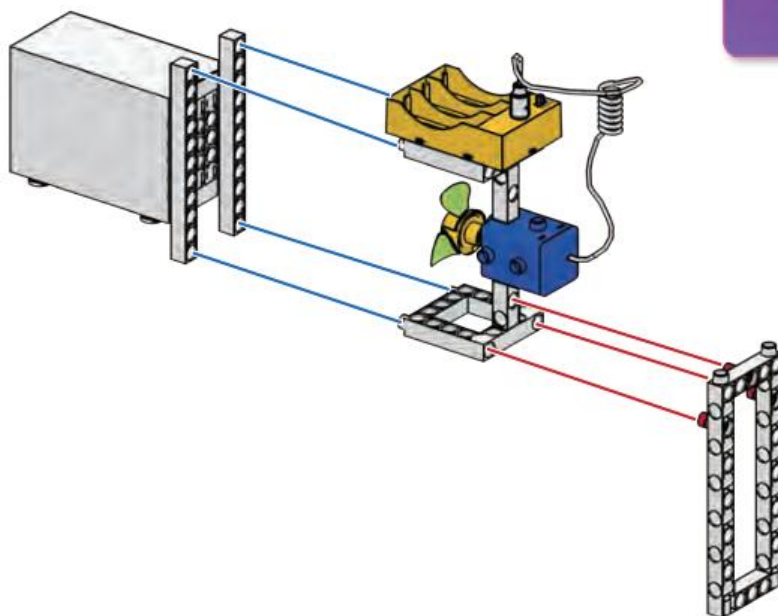
4



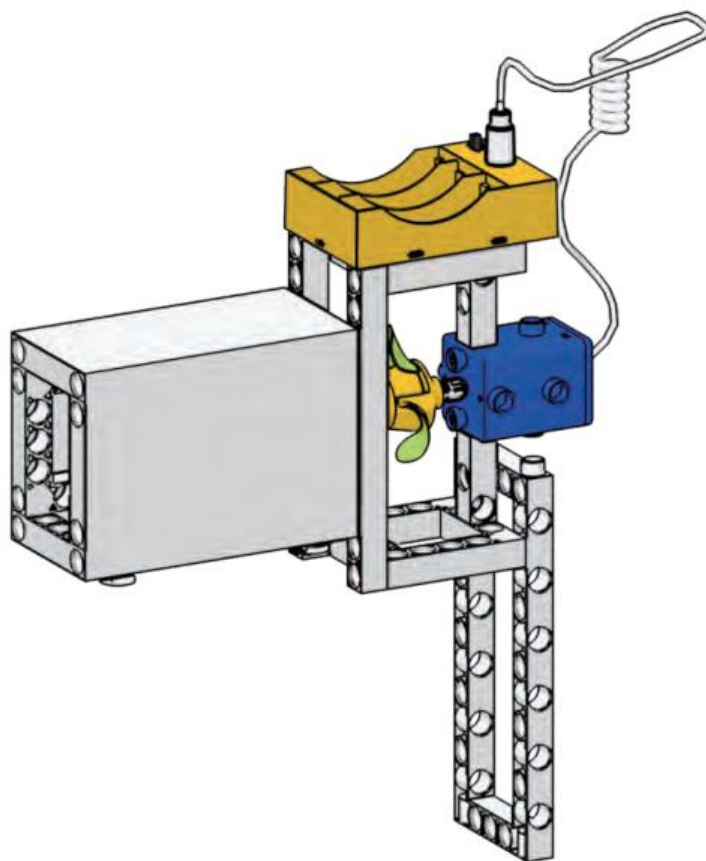
5



6



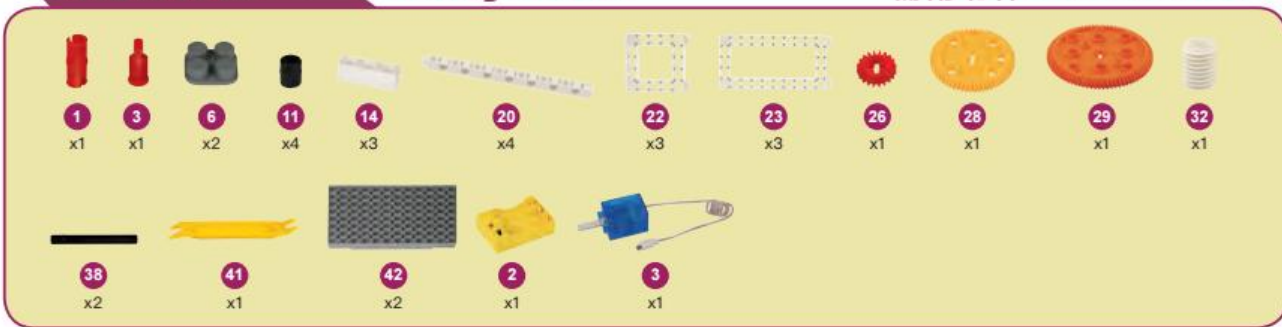
完成  
Done



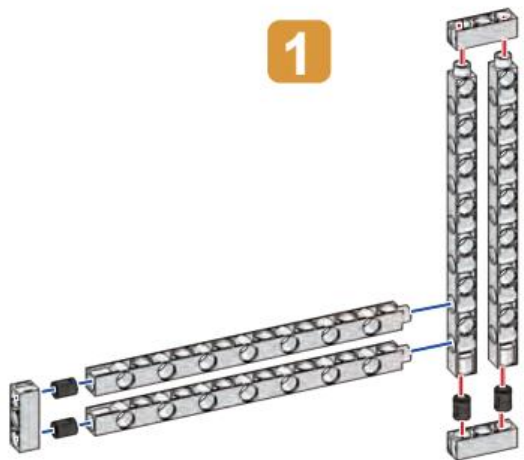
## 交通指揮機

## Waving Machine

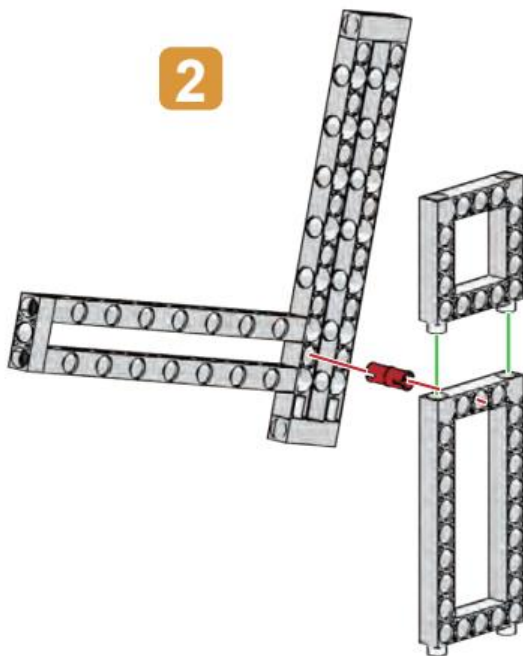
## 需用零件 Parts Needed



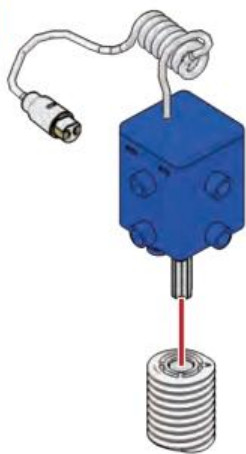
1



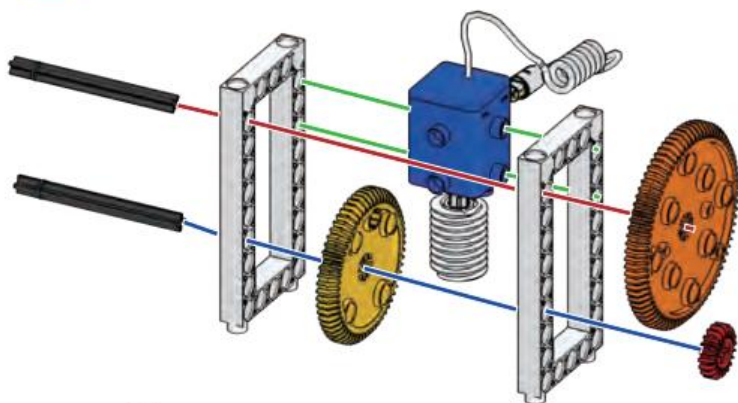
2



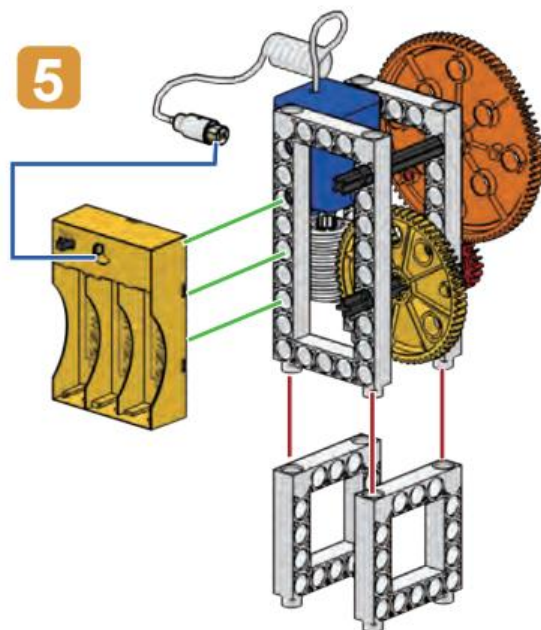
3



4

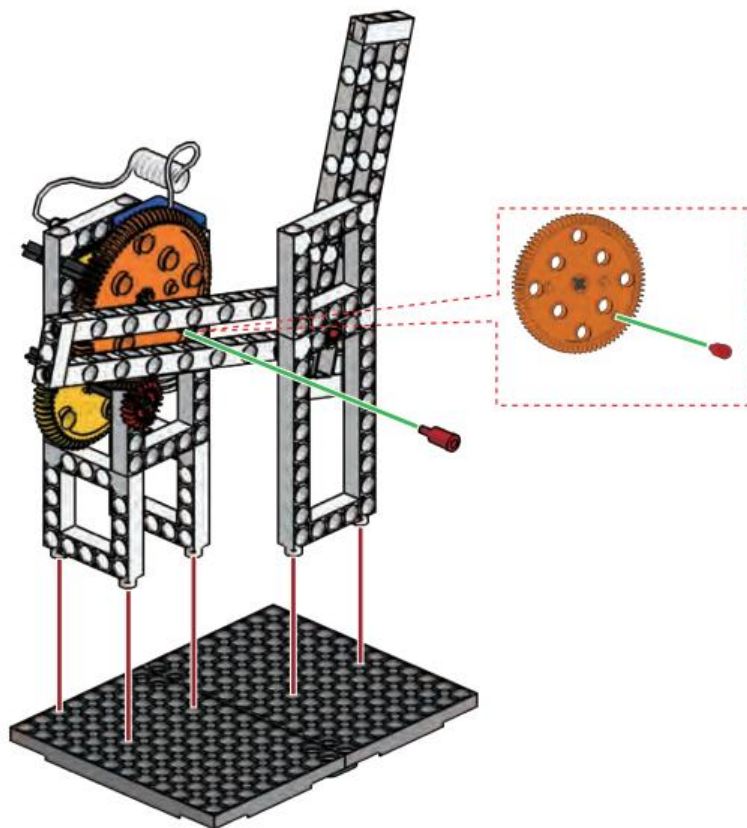


5

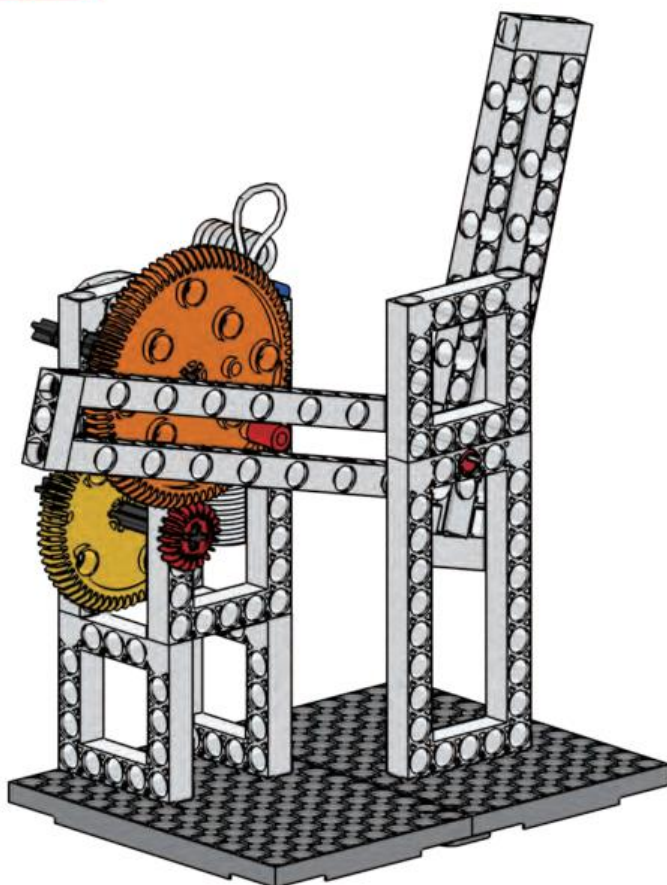




6









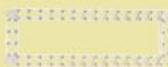



完成  
Done



## 震動相撲

## Vibration Sumo

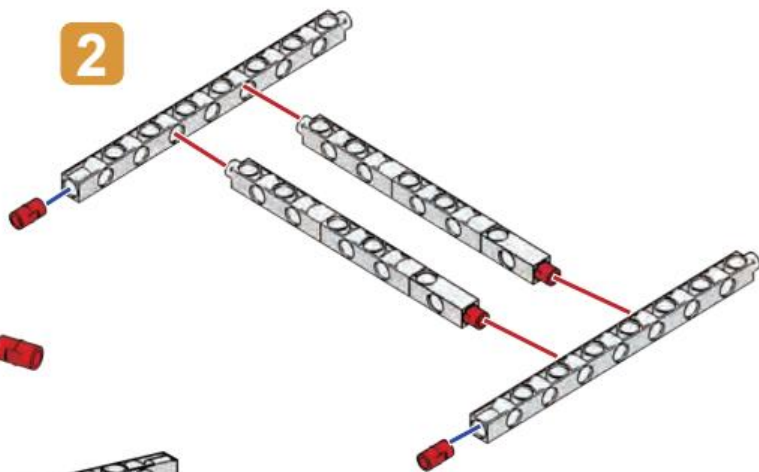
## 需用零件 Parts Needed

									
4	5	11	13	16	20	25	41	2	3
x5	x1	x4	x4	x4	x4	x1	x1	x1	x1

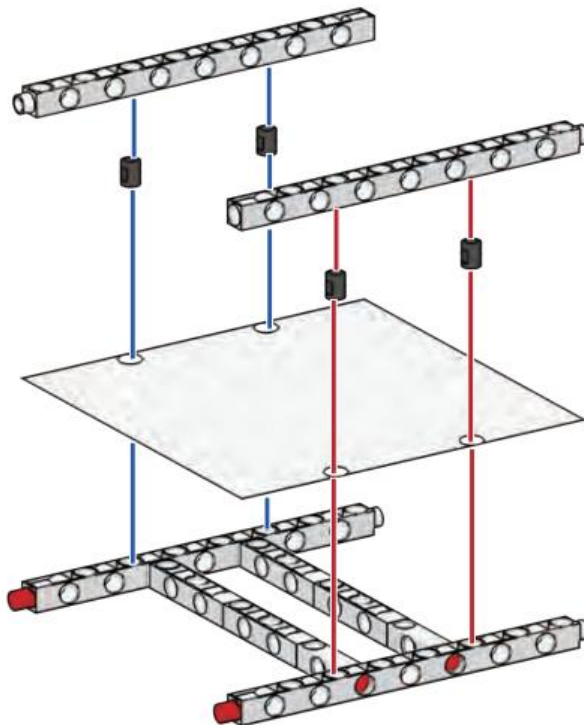
**1** x2



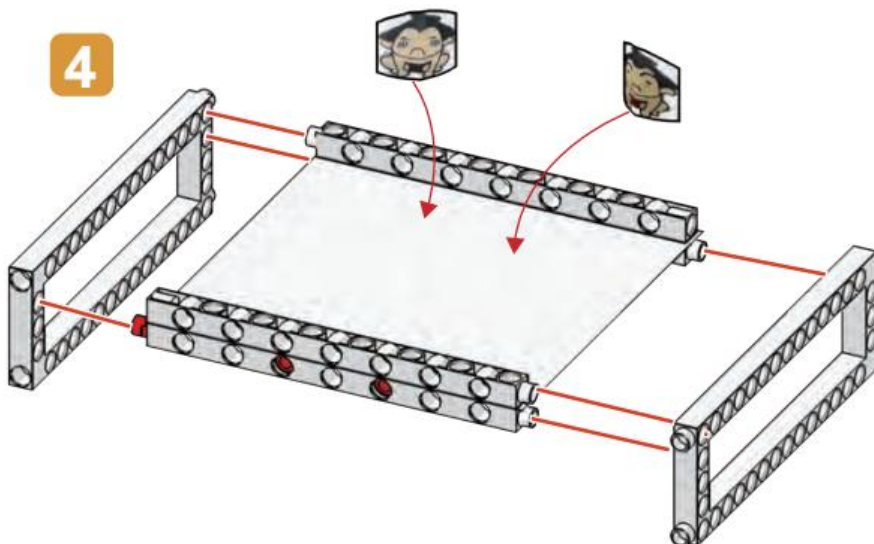
**2**

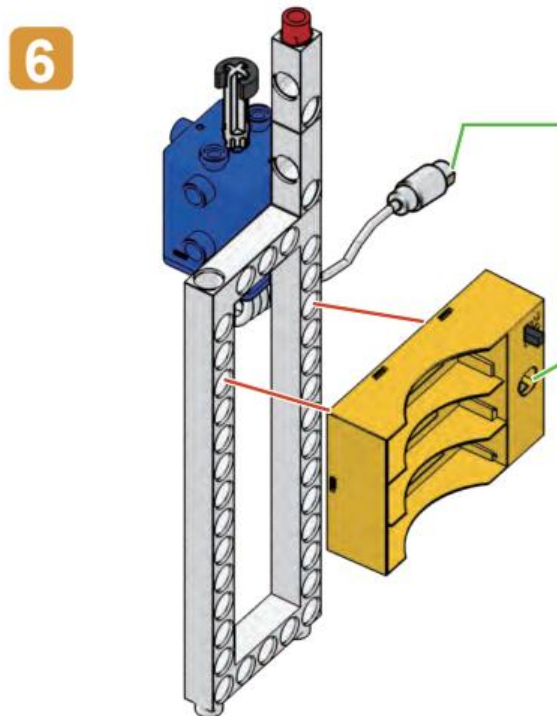
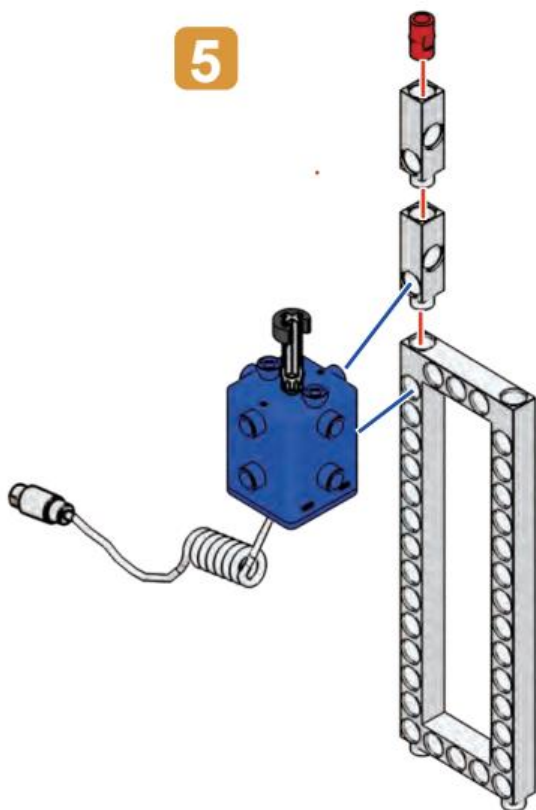


**3**

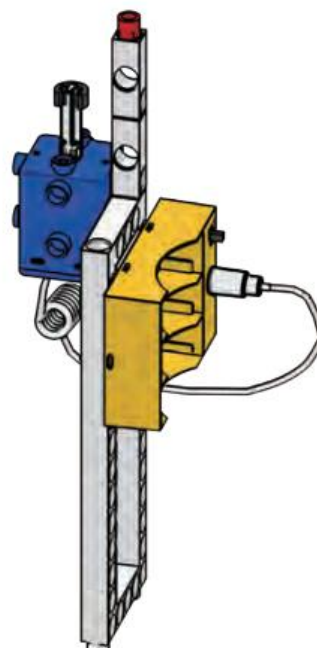
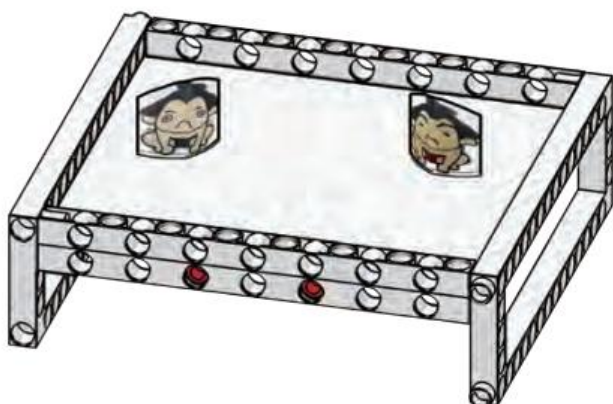


**4**

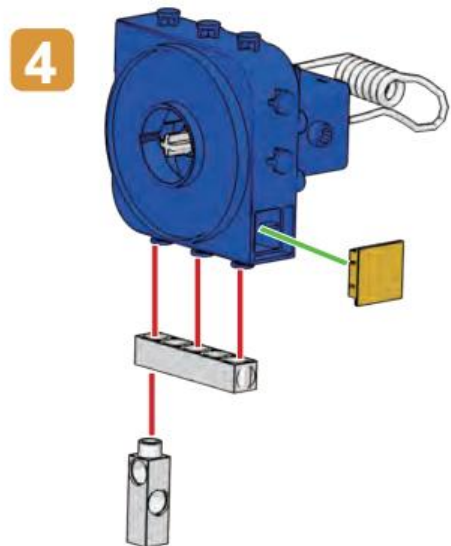
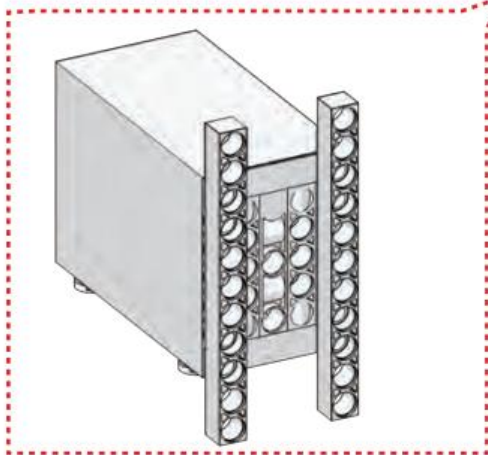
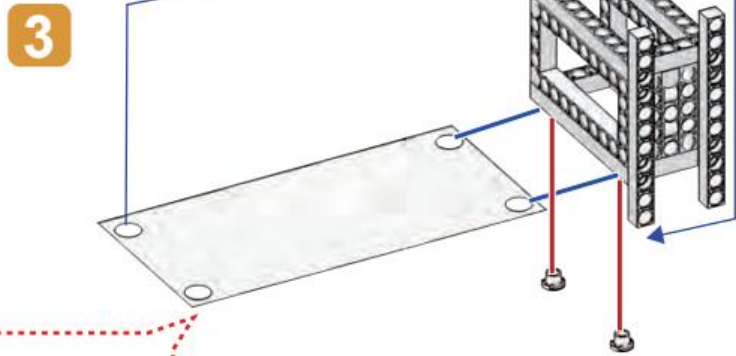
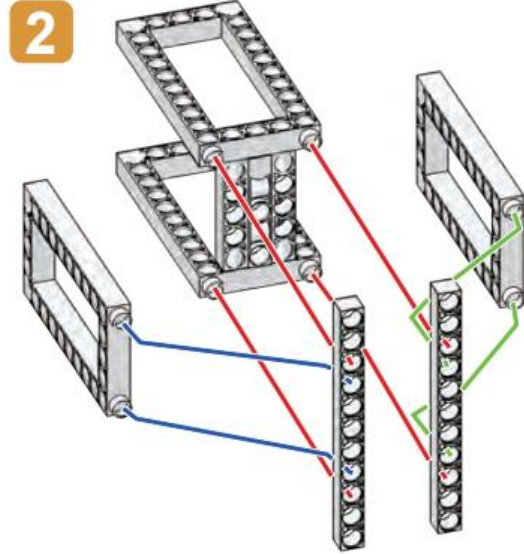
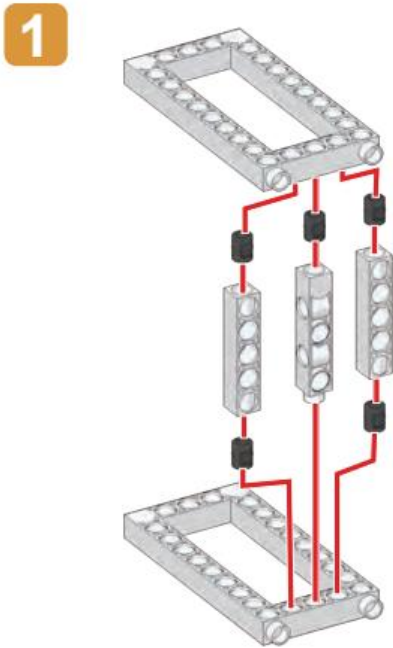
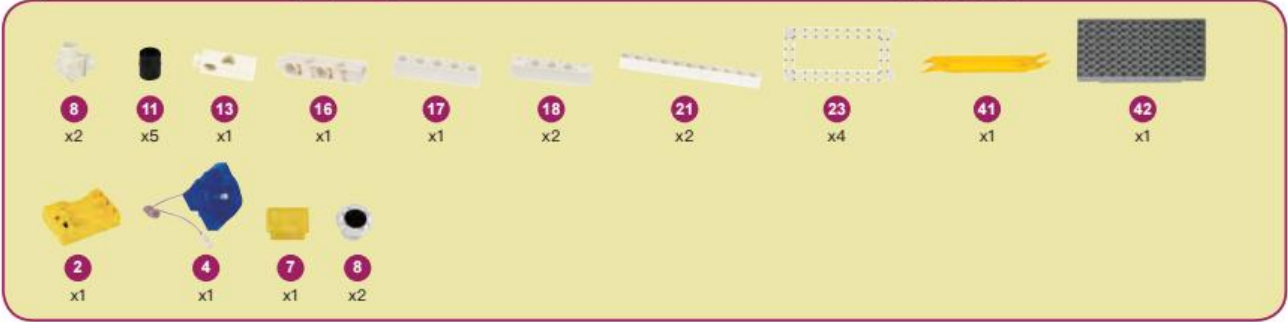


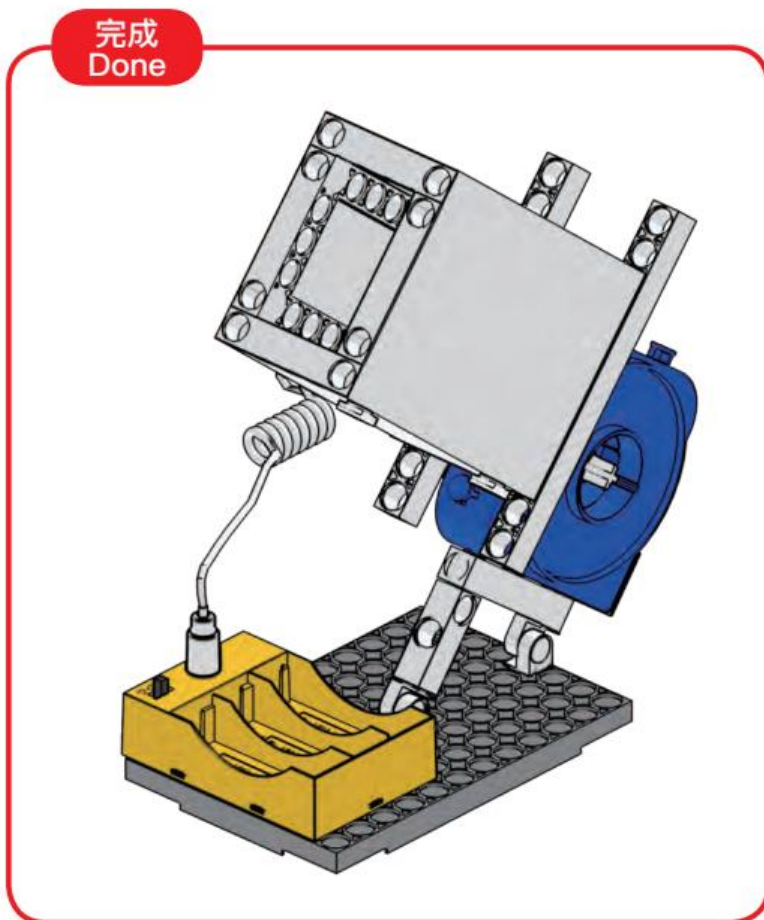
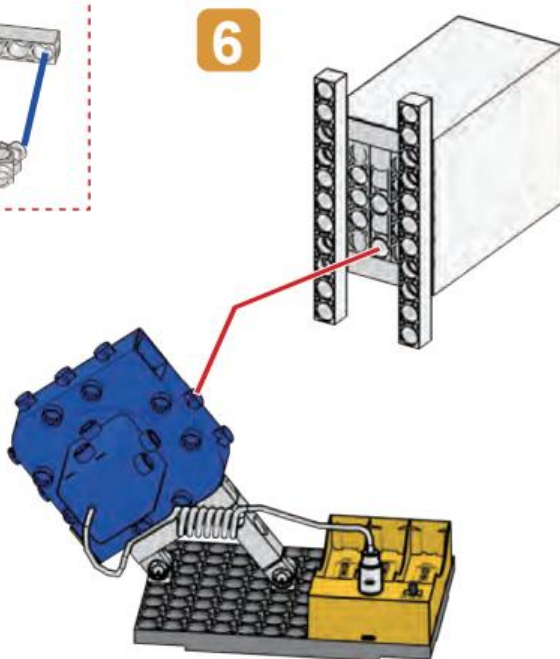
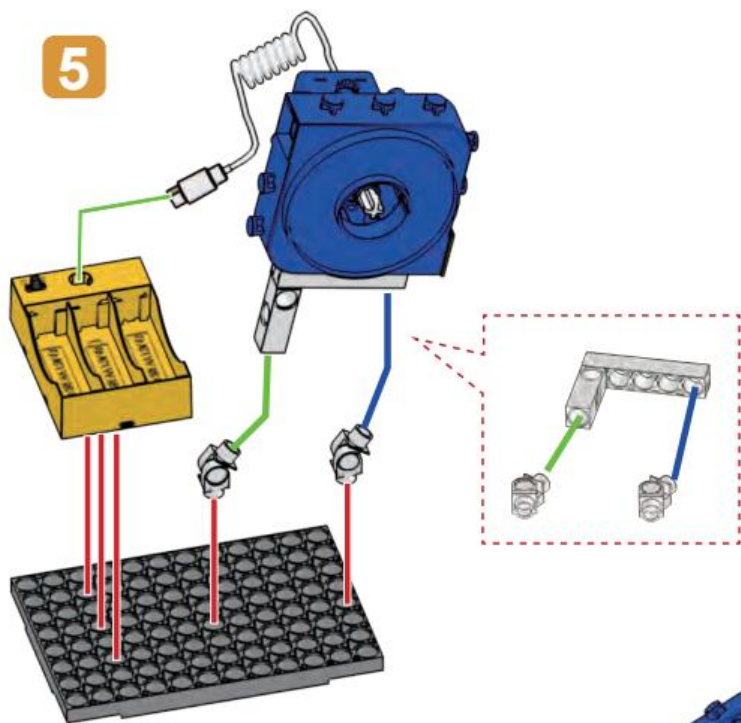


完成  
Done











# FUN LAB



#1260  
創意積木組  
CREATIVE CUBE



#1261  
科學探索組  
SCIENTIFIC TOUR



#1270  
趣味機關組  
FUN WITH MECHANISM



#1262  
電學補充包  
ELECTRICITY KIT



#1264  
氣動補充包  
PNEUMATICS  
KIT



#1265  
風力補充包  
WIND POWER KIT



#1266  
水力補充包  
HYDRAULICS  
KIT



#1267  
太陽能補充包  
SOLAR POWER  
KIT



MADE IN TAIWAN

**GENIUS TOY TAIWAN CO., LTD.**  
[www.gigotoys.com](http://www.gigotoys.com)

© 2016 Genius Toy Taiwan Co., Ltd. All rights reserved R21#1264