



創意夢想家

CREATIVE DREAMER

FUN LAB



1259

136 PCS

3+

知識來自於經驗

KNOWLEDGE COMES FROM EXPERIENCE ALONE

20 MODELS TO BUILD

$(x) = \frac{d}{3}$; $x \sqrt{x}$

前言 /Introduction	P2
零件表 /Parts List	P3~4
課前準備 /Class preparations	P5~6
照相機 /Camera	P7
椅子 /Chair	P8
電話 /Telephone	P9
飛機 /Aircraft	P10
賽車 /Racing Car	P11
蜻蜓 /Dragonfly	P12
棒球 /Baseball	P13
伸縮剪刀 /Shear	P14
曲棍球 /Hockey	P15
兔子 /Rabbit	P16
摩托車 /Motorcycle	P17
魚 /Fish	P18
帆船 /Sailboat	P19
蝸牛 /Snail	P20~21
工具箱 /Kits Box	P22~23
花與蝴蝶 /Flower and Butterfly	P24~25
大樹與蟬 /Tree and Cicada	P26~27
海盜船 /Pirate Ship	P28~29
投石機 /Trebuchet	P30~31
風車 /Windmill	P32~34

各位小朋友，歡迎你加入 Gigo 智高的 FUN LAB 積木實驗室。

在 FUN LAB 積木實驗室中有許多的智高積木，這些形色多樣的積木，它們能重複使用，做出千萬種變化，同時還能省時省力，是我們接下來要進行一連串有趣好玩實驗的最佳幫手哦！在我們親手組裝及操作積木的過程中，不僅能夠體會組裝創作的樂趣，還能夠學習到許多知識，例如色彩搭配的美學、簡單的機械原理、綠色能源的應用、科技積木的體驗、創意的機關製作……等。而且，我們還可以和好朋友團隊合作，加入自己的想法，激發創意，打造出獨一無二的積木模型。跟隨我們在這座實驗室裡一步一步地探索，快樂地學習各種知識，除了能培養我們正確的學習態度及解決問題的能力，更能將這些知識活用於日常生活，進而學習創新的技巧與能力。

看到這裡，相信各位小朋友都已經迫不及待了，那麼，就讓我們一起進入充滿樂趣的 FUN LAB 積木實驗室吧！

Welcome to join the Gigo's FUN LAB of the building blocks.

There are a variety of blocks in FUN LAB which have diverse types of forms repeatedly used to make tens of millions of changes. Therefore, those variations can enable us to conduct a series of fun and interesting experiments! During the process of the assembly, not only can you experience the fun of assembling creation, but also you are capable of gaining lots of knowledge, such as color-matching aesthetic, simple mechanical principles, the application of green energy, making creative models and so on. Moreover, you also can collaborate with friends as a team, incorporate your own ideas and develop creativity to create your own unique model. Follow us step by step to explore in this lab, and you will be happy to learn all aspects of knowledge. In addition to your ability to cultivate the positive attitude towards learning and problem-solving skills, more knowledge will be used in your daily life, and then you can acquire the innovative skills and abilities.

Now, I am sure you cannot wait. Let's get into the world of the Fun Lab!
Let's go!

1



B-扳手
B-PEG REMOVER
x1

2



A-2x3孔長方框
A-3X2 HOLE BASE
x2

3



A-5孔圓長條
A-5 HOLE ROUND ROD
x4

4



A-4孔長條
A-4 HOLE ROD
x4

5



A-4孔1/4弧長條
A-4 HOLE BENDED ROD
x2

6



A-3孔圓長條
A-3 HOLE ROUND ROD
x2

7



A-2孔長條
A-2 HOLE ROD
x4

8



A-60mm圓棒
A-60mm CONNECTOR
x6

9



A-80mm圓棒
A-80mm CONNECTOR
x6

10



A-160mm圓棒
A-160mm CONNECTOR
x2

11



A-18T自轉齒輪
A-18T GEAR WITH ADAPTER
x1

12



A-6T自轉齒輪
A-6T GEAR WITH ADAPTER
x1

13



A-OD70x20mm塑膠輪
A-OD70 WHEEL
x4

14



A-6孔直線軌道
A-6 HOLE TRACK
x2

15



A-直線結合器
A-FRONT PEG
x3

16



A-90度結合器
A-LATERAL PEG
x8

17



A-多向轉接器
A-2cm CUBE PEG
x4

18



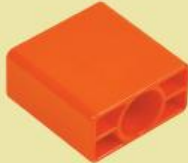
A-單孔單向軌道
A-TRACK END
x1

19



A-軌道結合器
A-TRACK CONNECTOR
x2

20



A-單孔結合器
A-ROD CONNECTOR
x4

21



A-60mm III 軸
A-60mm AXLE III
x1

22



A-180mm III 軸
A-180mm AXLE III
x1

23



A-18T齒輪
A-18T GEAR
x1

24



A-6T齒輪
A-6T GEAR
x1

25



A-活動眼球
A-EYE
x2

26



B-中心眼珠
B-EYE-1
x4

27



B-正方顆粒
B-CUBE
x6

28



B-正方顆粒
B-CUBE
x6

29



B-正方顆粒
B-CUBE
x5

30



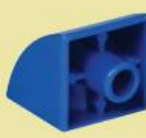
B-正方顆粒
B-CUBE
x5

31



B-正方顆粒
B-CUBE
x5

32



B-上弦顆粒
B-CONVEX
x4

33



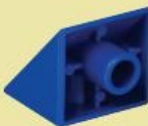
B-上弦顆粒
B-CONVEX
x4

34



B-上弦顆粒
B-CONVEX
x4

35



B-三角顆粒
B-TRIANGLE
x4

36



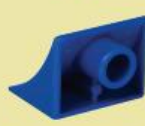
B-三角顆粒
B-TRIANGLE
x3

37



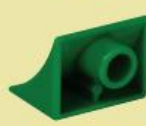
B-三角顆粒
B-TRIANGLE
x3

38



B-下弦顆粒
B-CONCAVE
x2

39



B-下弦顆粒
B-CONCAVE
x2

40



B-短結合鍵
B-SHORT PEG
x10

課前準備 *Class preparations*

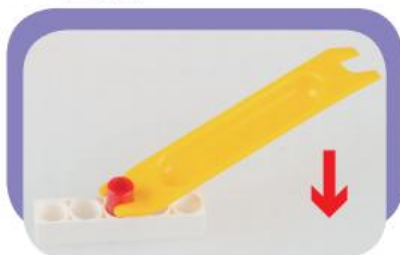
扳手使用

The use of Peg remover



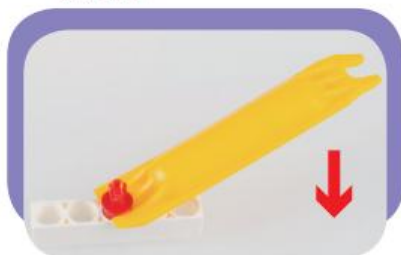
拆解結合鍵

Dismantle the peg with the Side A (shown in the picture)



拆解自轉軸鍵

Dismantle the Axle with the Side B (Shown in the picture)



拆解軸扣鍵

Dismantle the Fixing with the Side B



扣住後往下扳 *After inserting then pull down*

轉接器拆解技巧

Peg dismantling tips

90度轉接器

Lateral peg



直線轉接器

Front peg



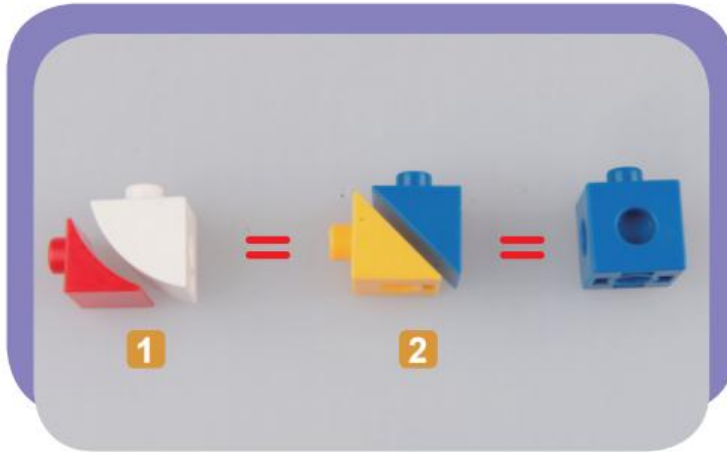
多向轉接器

2 cm CUBE peg



正方顆粒的製作

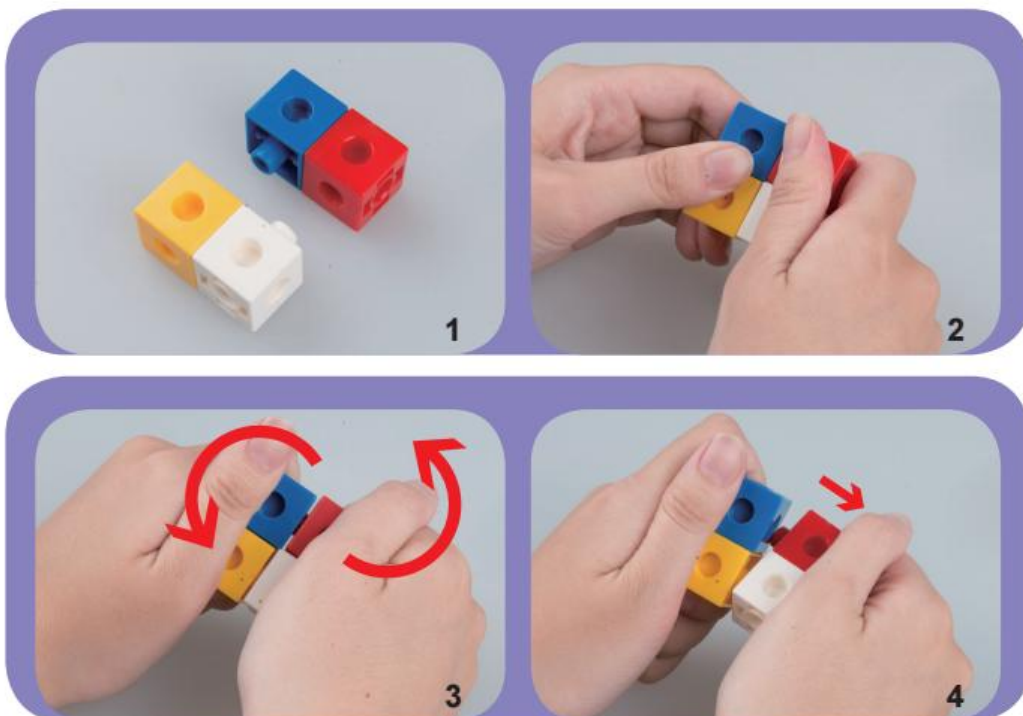
How to make a cubical block



- 1 一個上弦 + 下弦等於一個正方形積木 *One convex + one concave are equal to a square block.*
- 2 兩個三角形的面積，加起來等於一個正方形積木 *Two triangles are equal to a square block.*

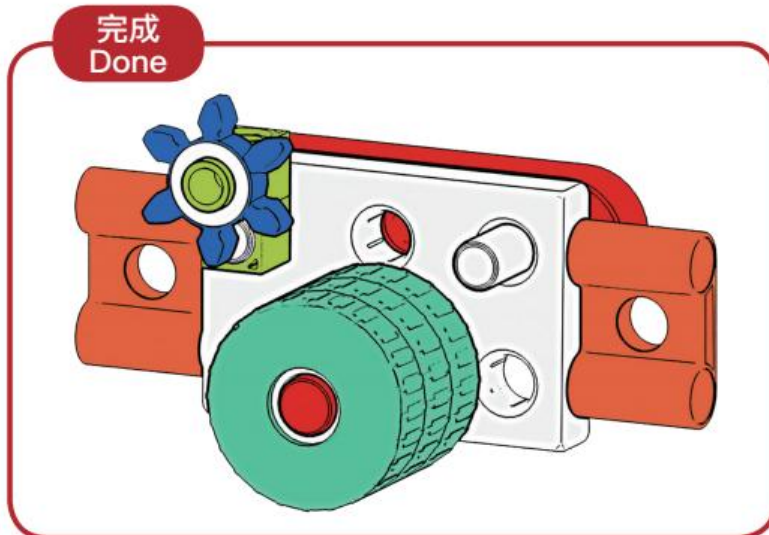
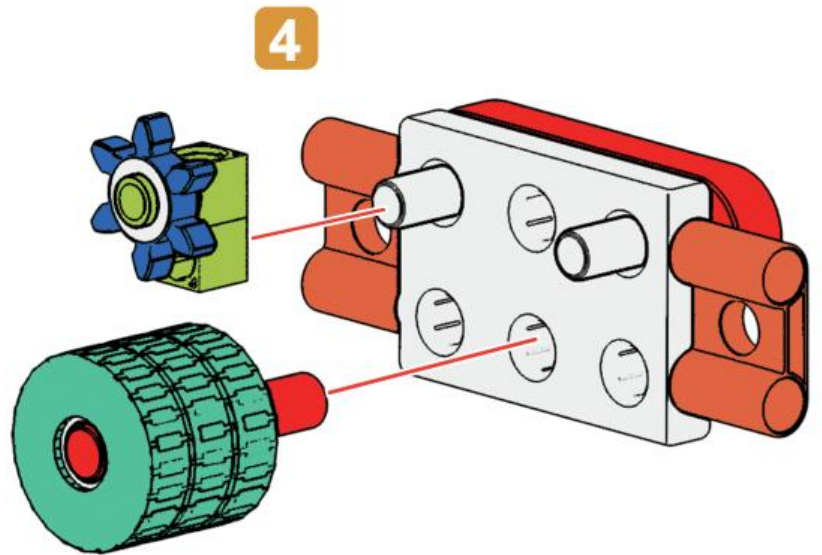
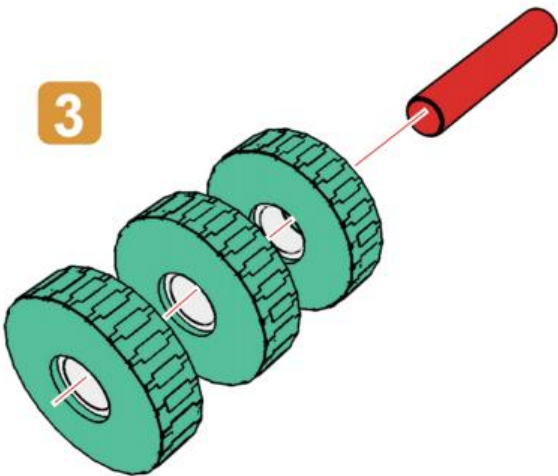
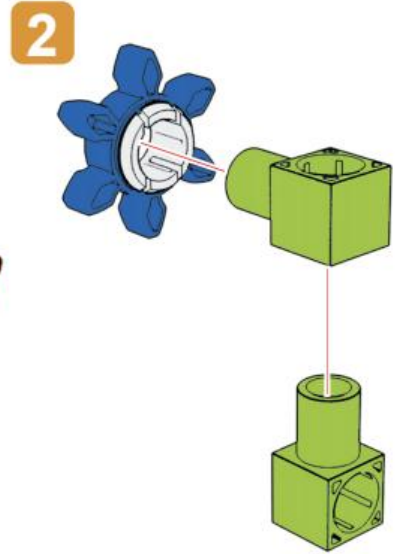
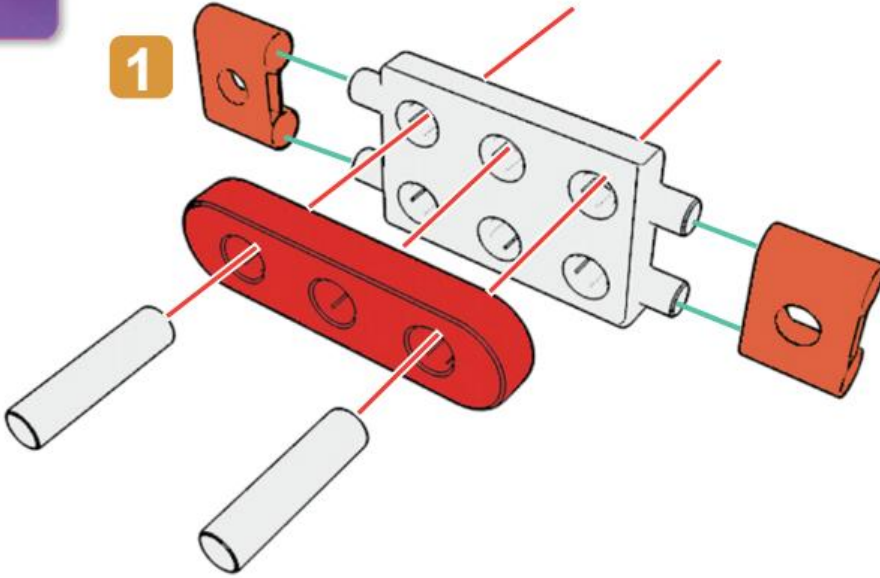
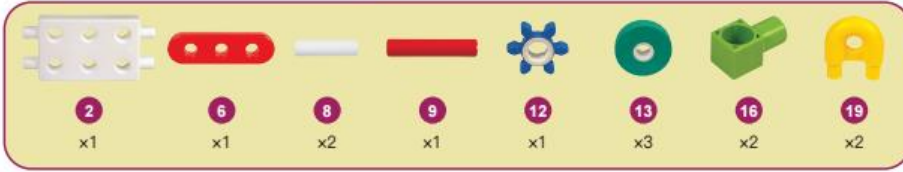
正方顆粒兩點固定及拆解技巧

How to connect and take apart 2 sets of blocks



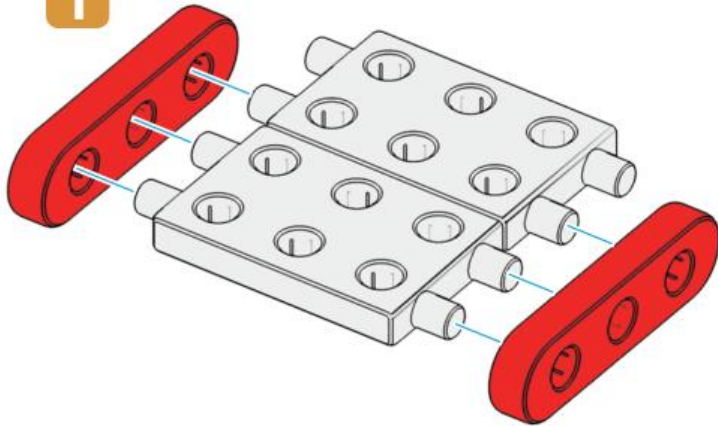
照相機

Camera

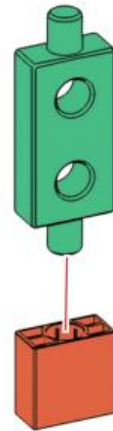




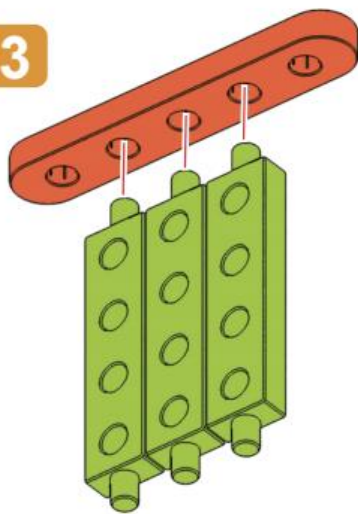
1



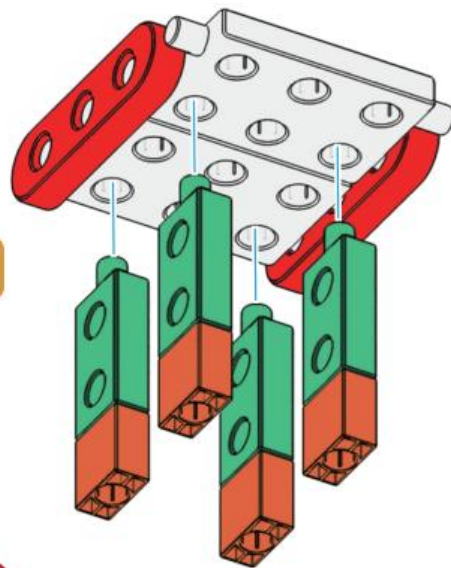
2 x4



3

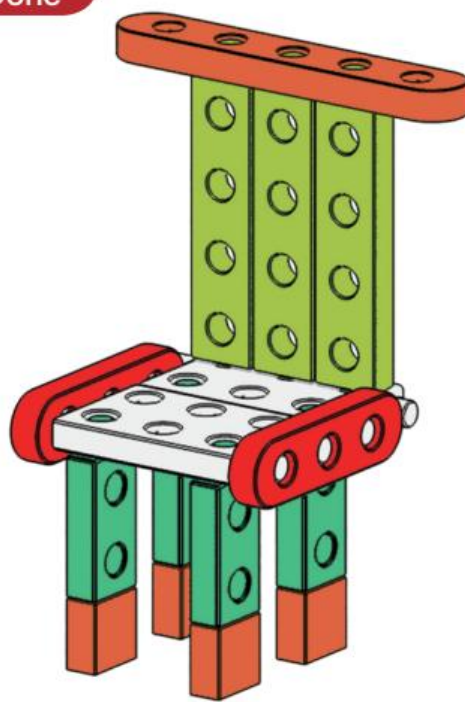
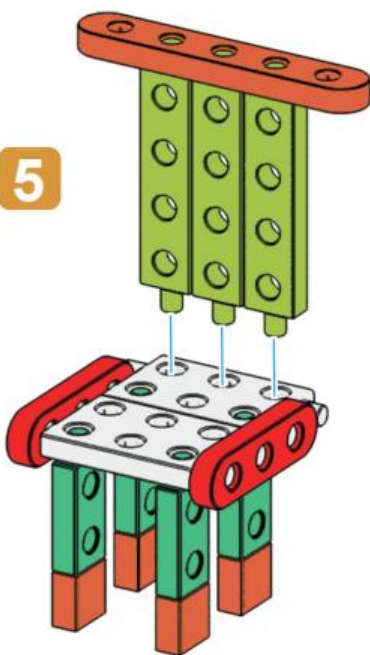


4



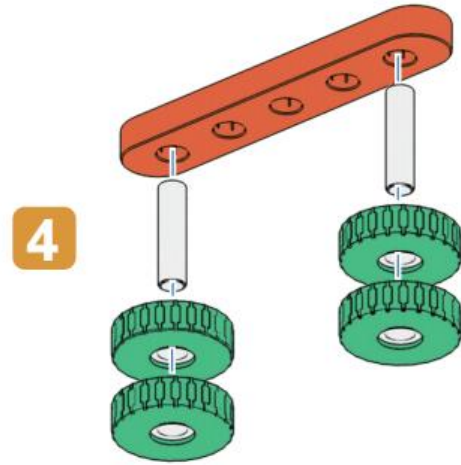
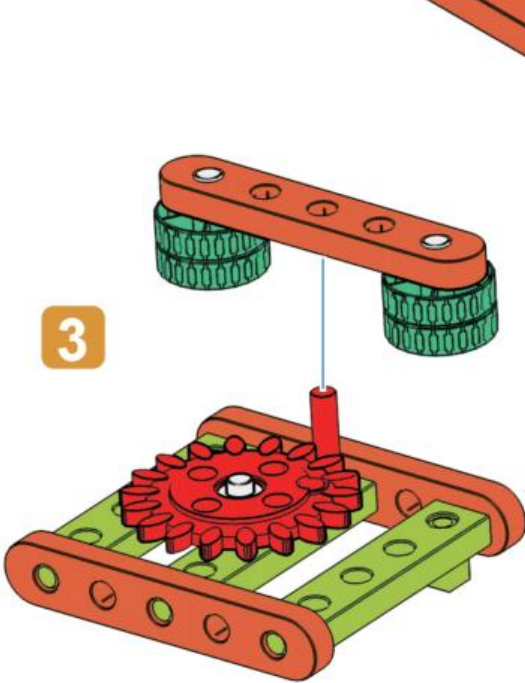
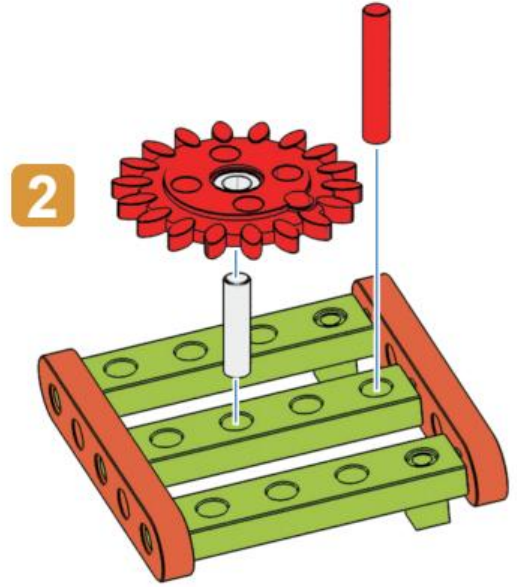
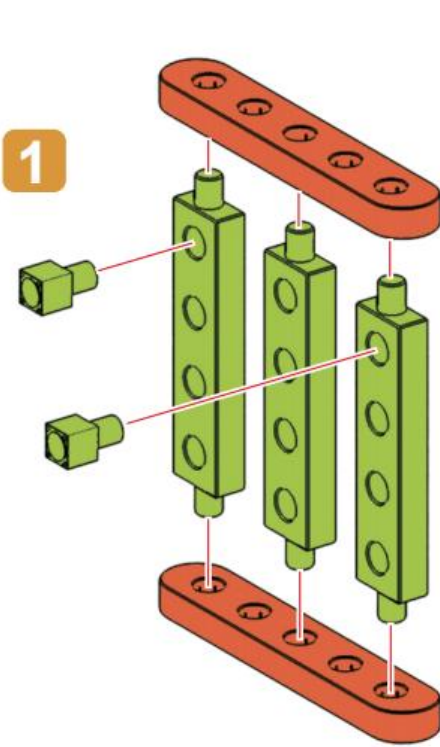
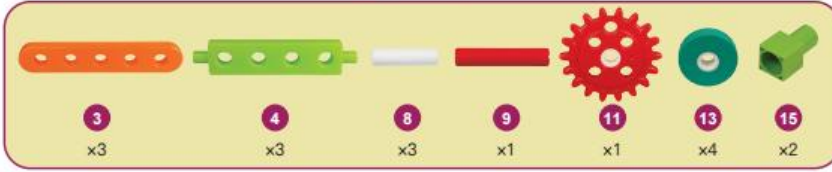
完成
Done

5

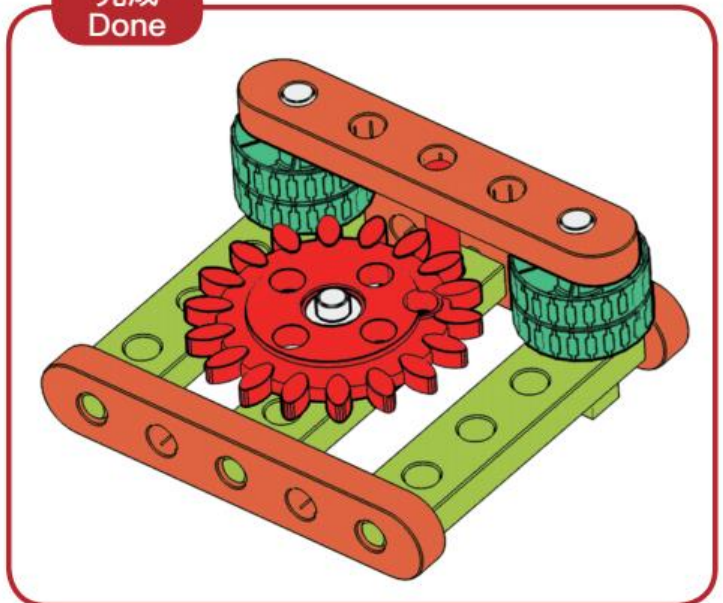












電話

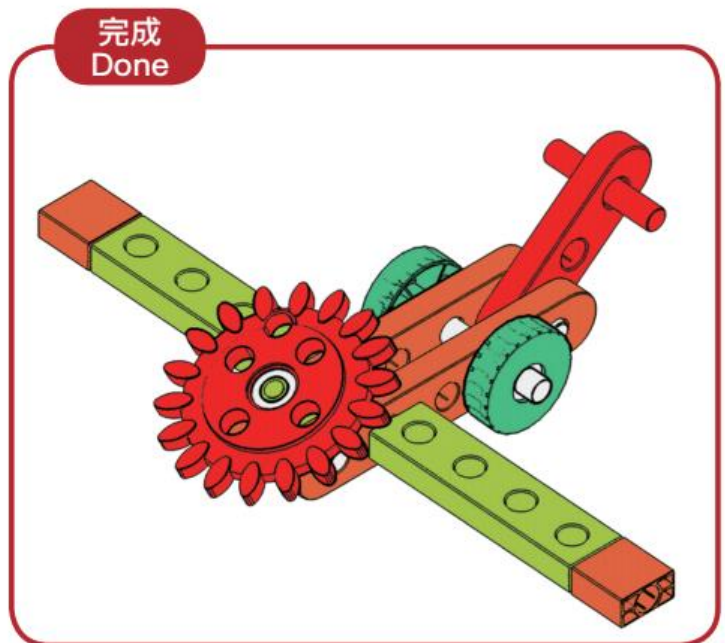
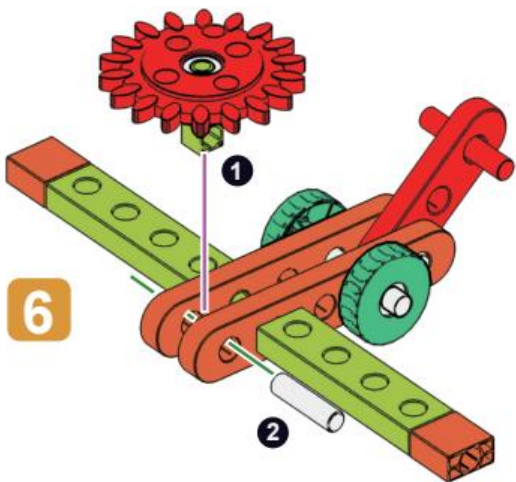
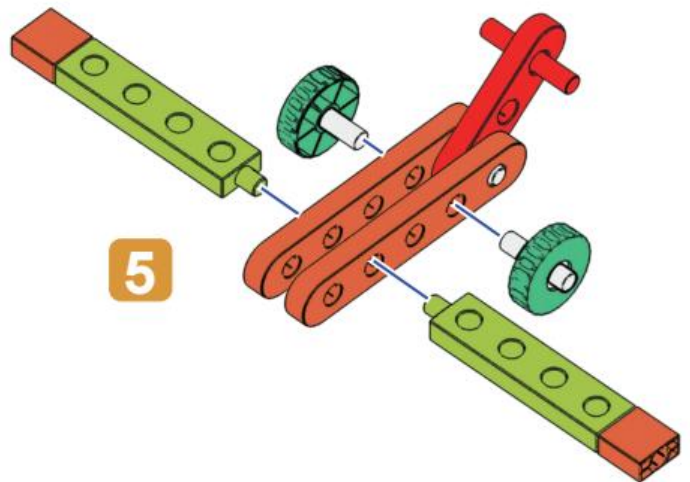
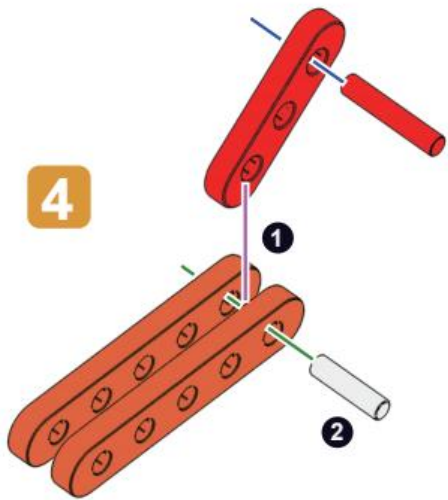
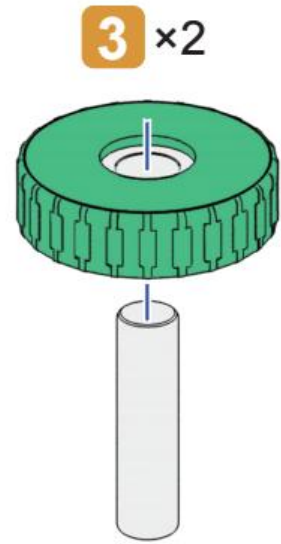
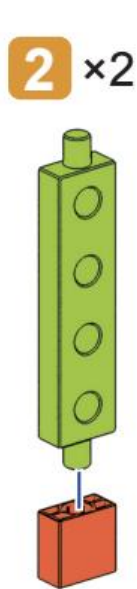
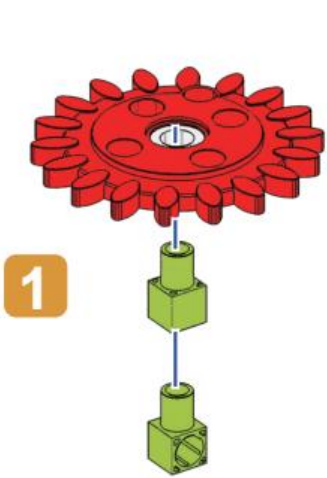
Telephone



完成
Done

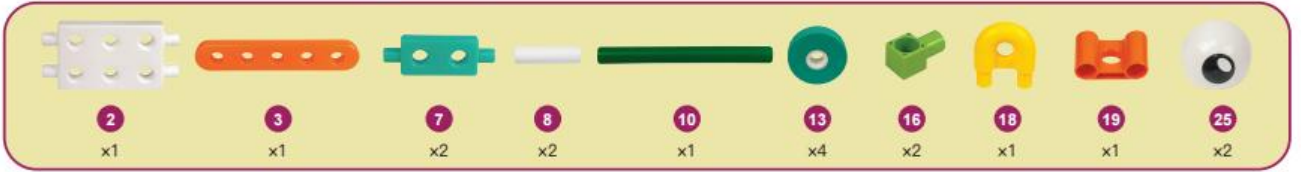


									
3 x2	4 x2	6 x1	8 x4	9 x1	11 x1	13 x2	15 x1	16 x1	20 x2

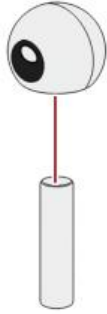


賽車

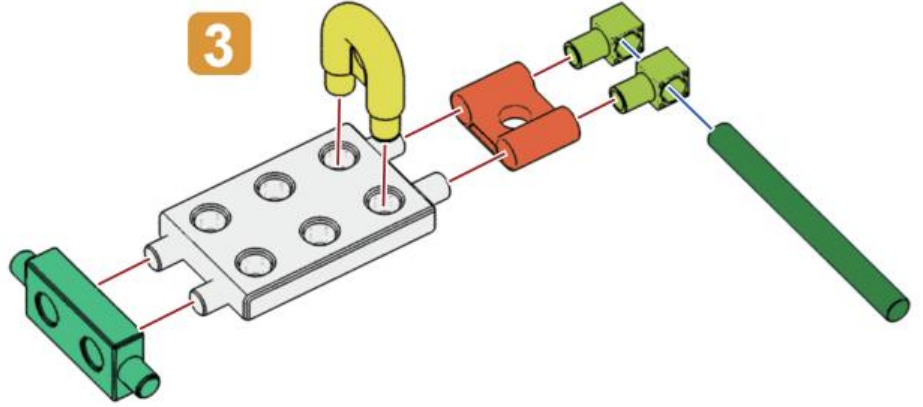
Racing Car



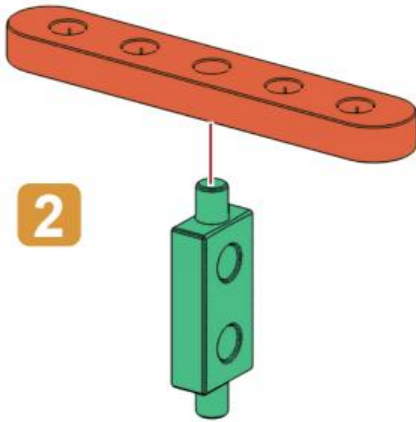
1 x2



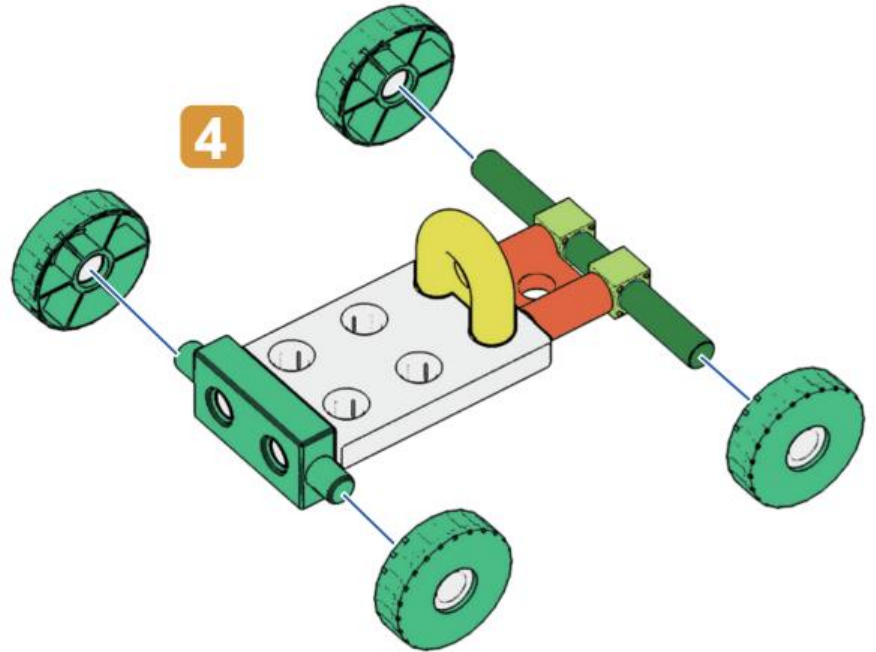
3



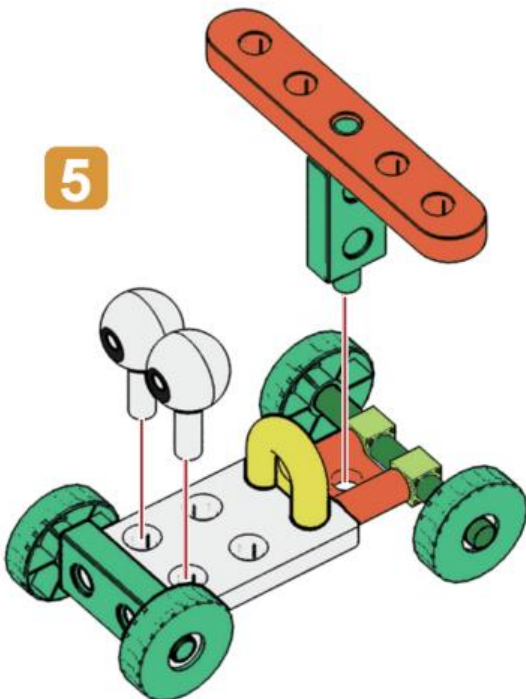
2



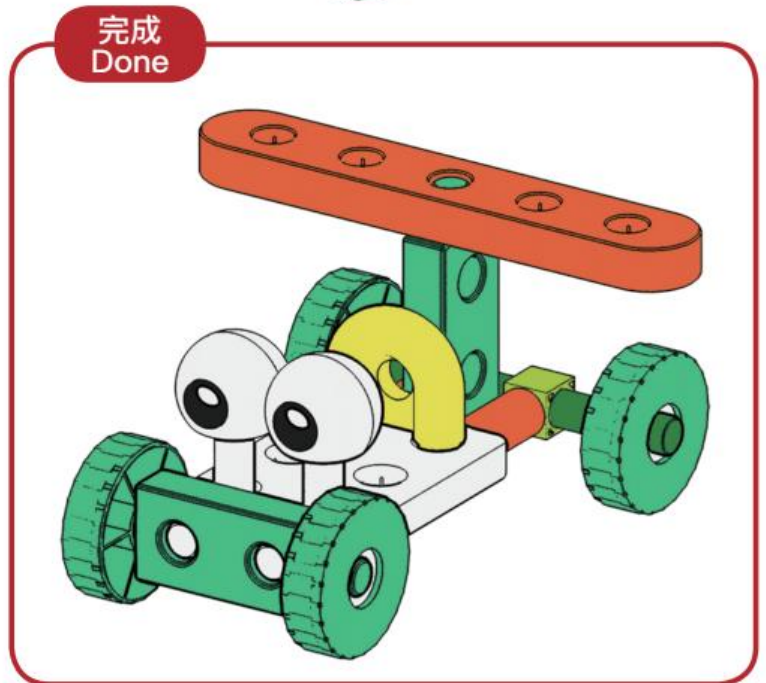
4



5

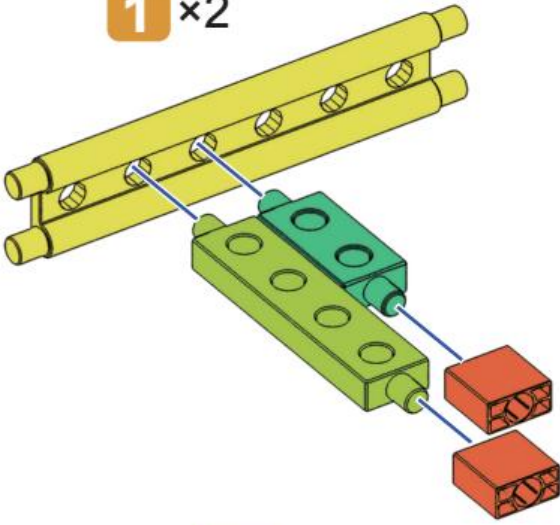


完成
Done

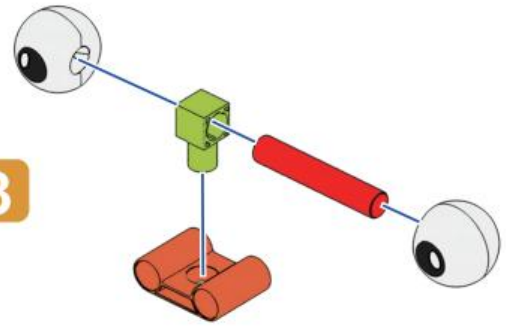


4	7	9	14	16	18	19	20	25
x2	x3	x1	x2	x1	x1	x2	x4	x2

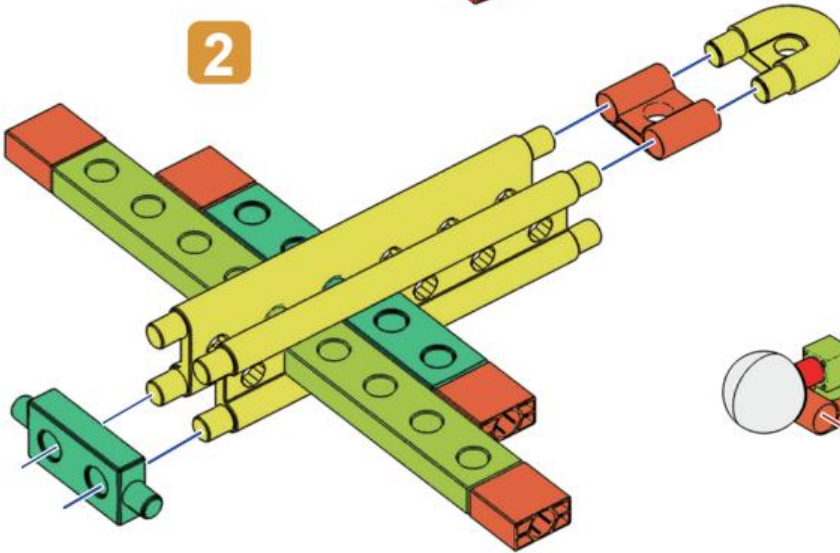
1 x2



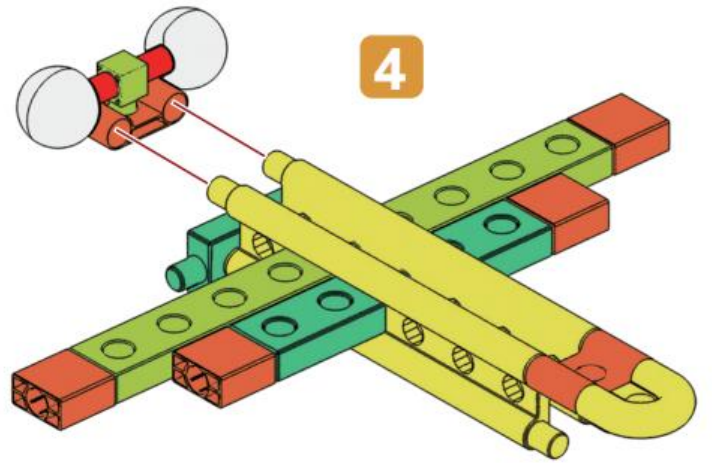
3



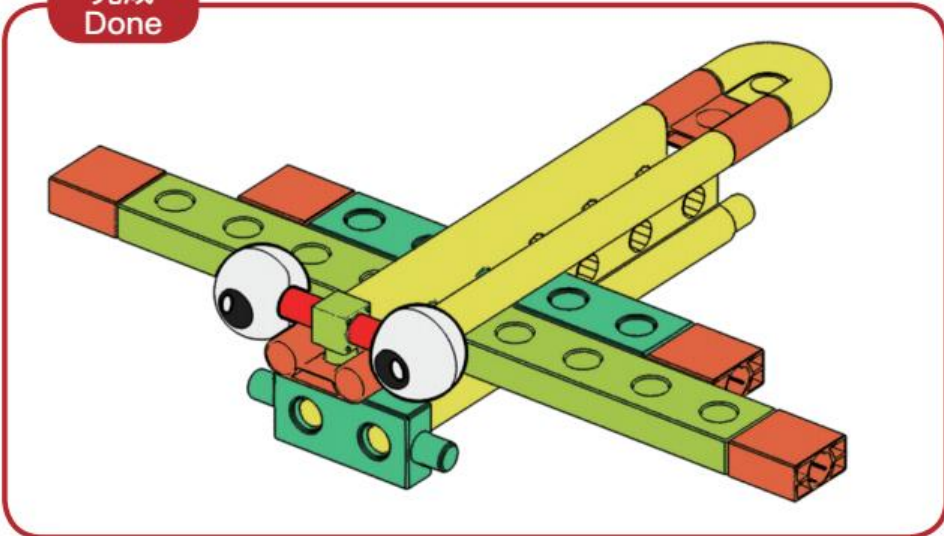
2



4

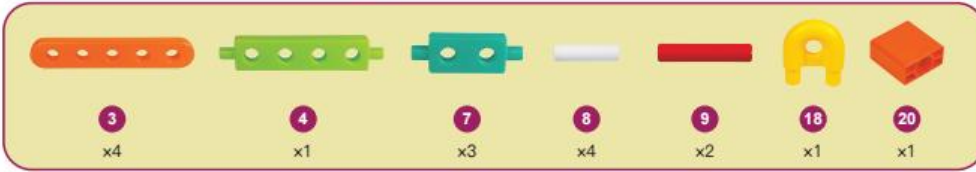


完成
Done

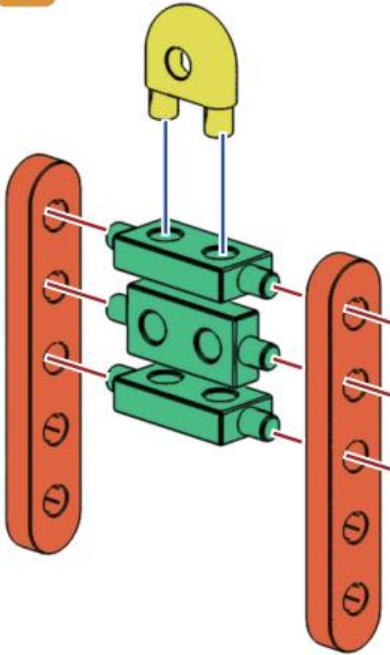


棒球

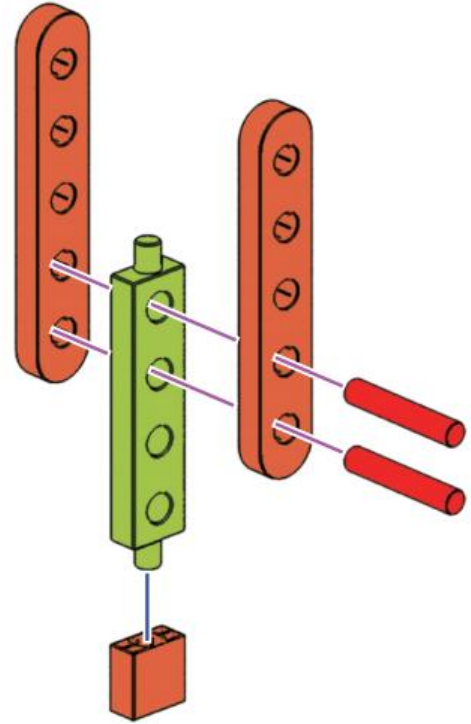
Baseball



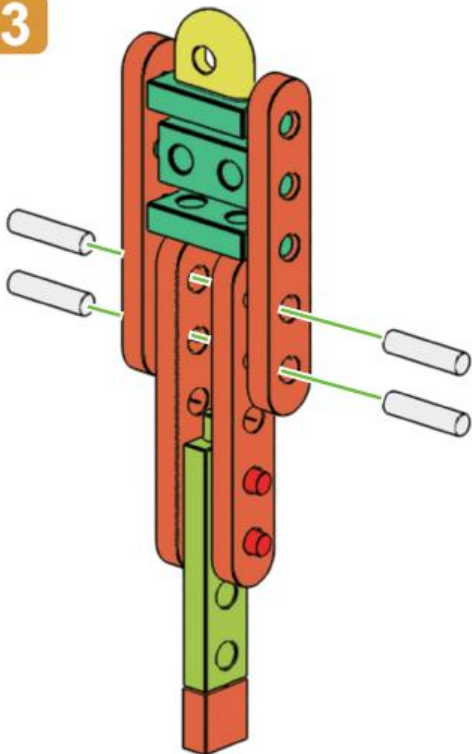
1



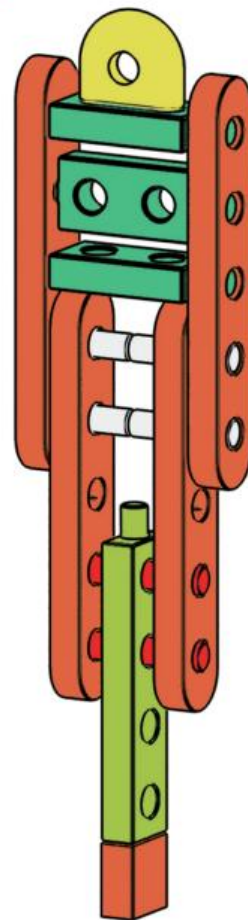
2



3



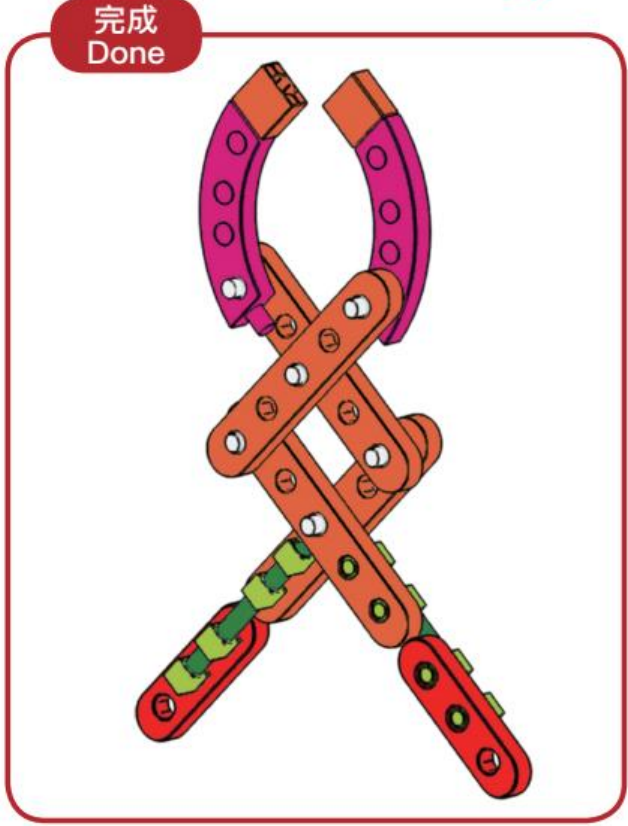
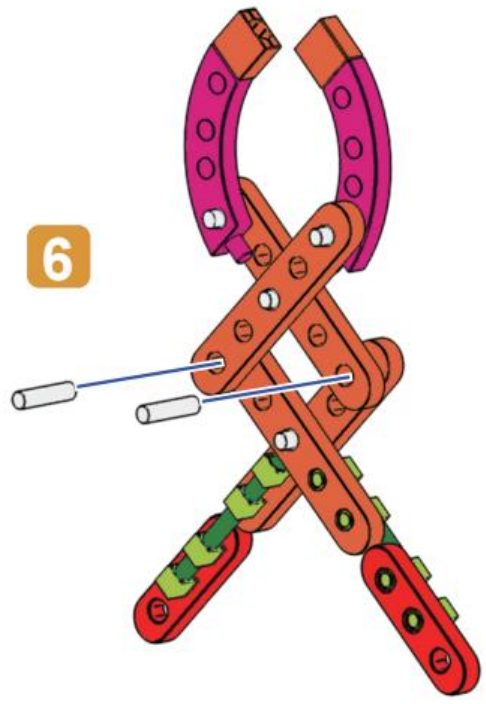
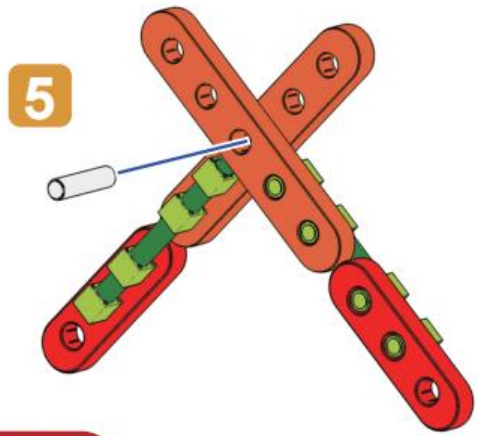
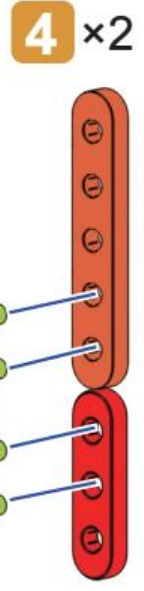
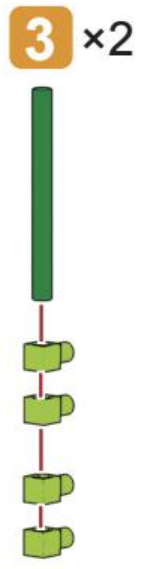
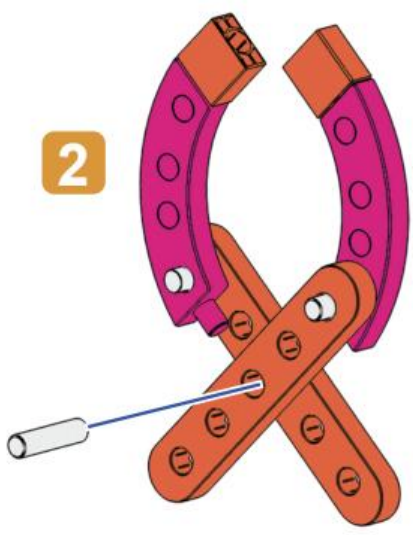
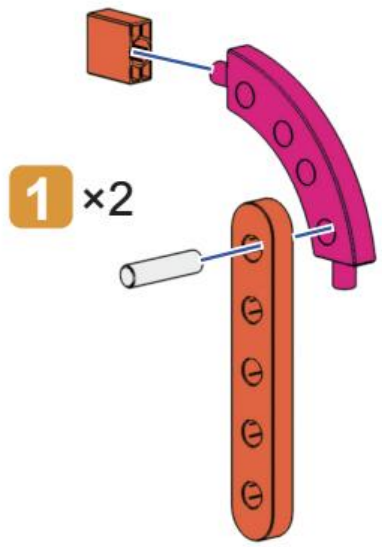
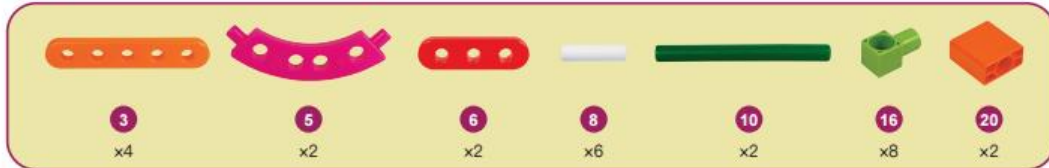
完成
Done



伸縮剪刀

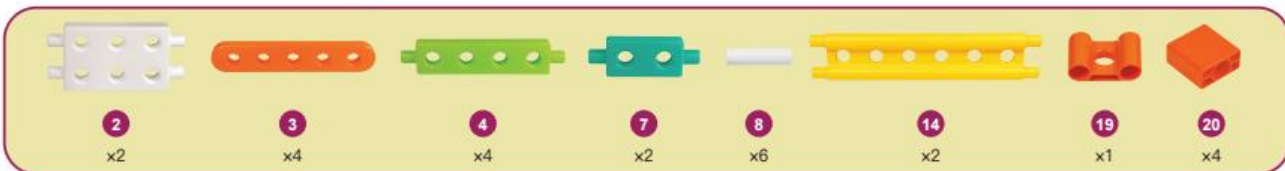
Shear

Knowledge comes from experience alone

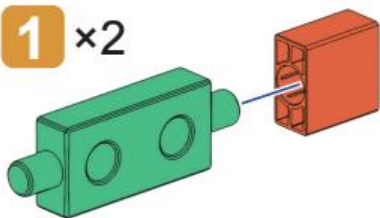


曲棍球

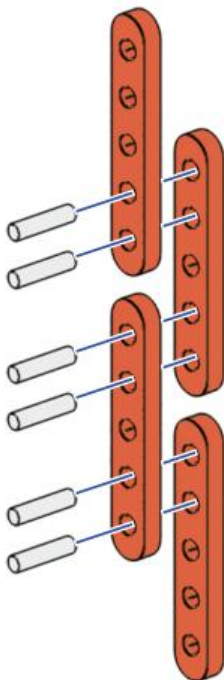
Hockey



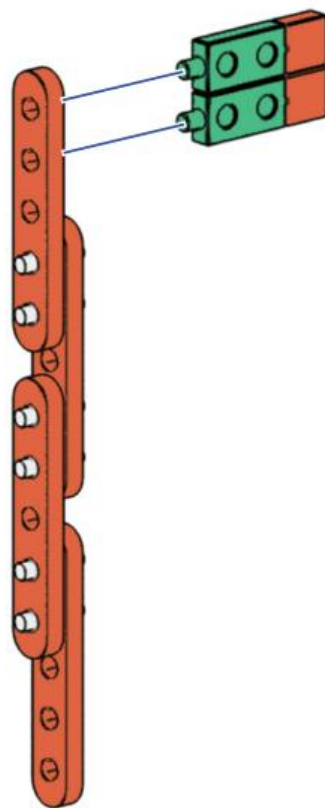
1 x2



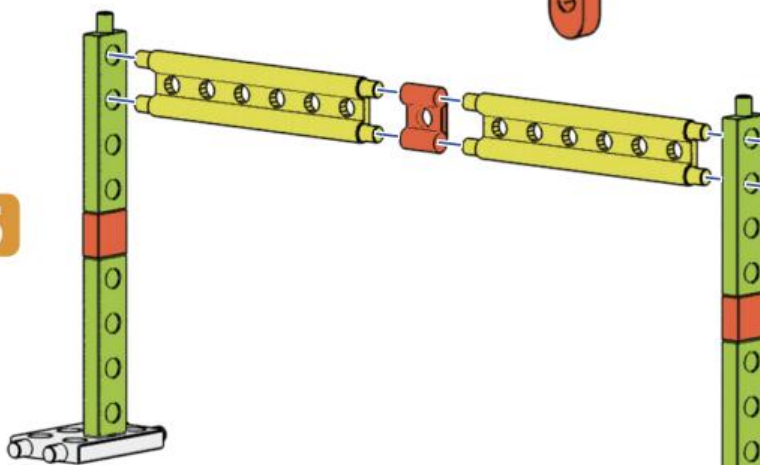
2



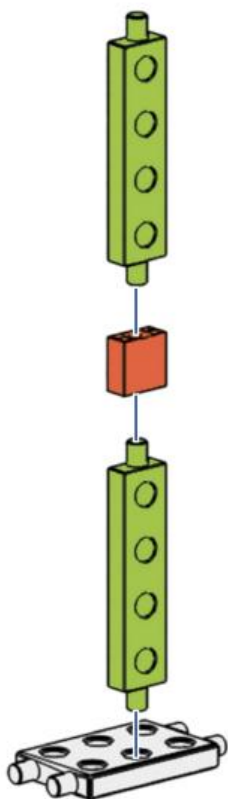
3



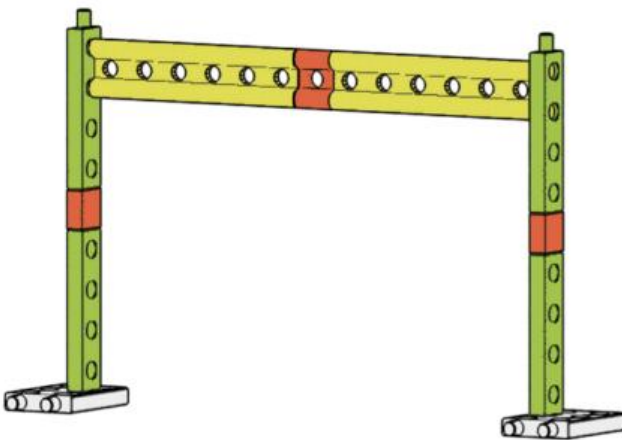
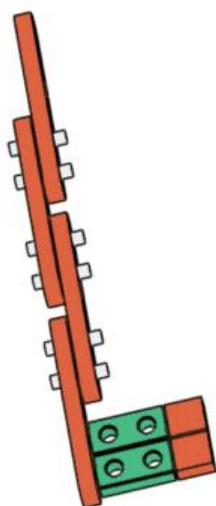
5

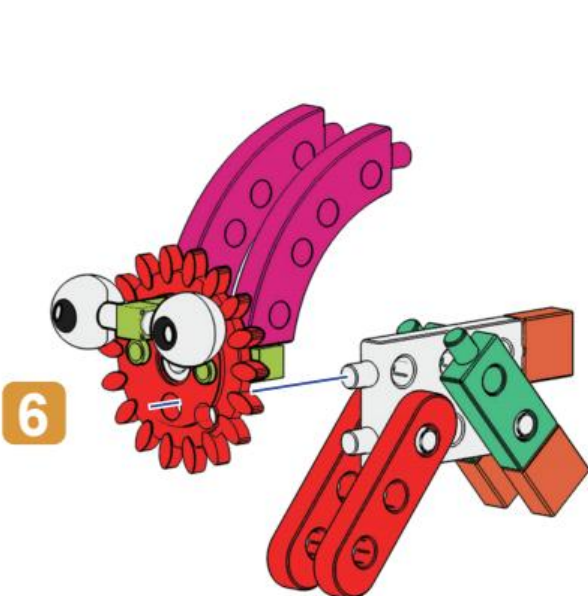
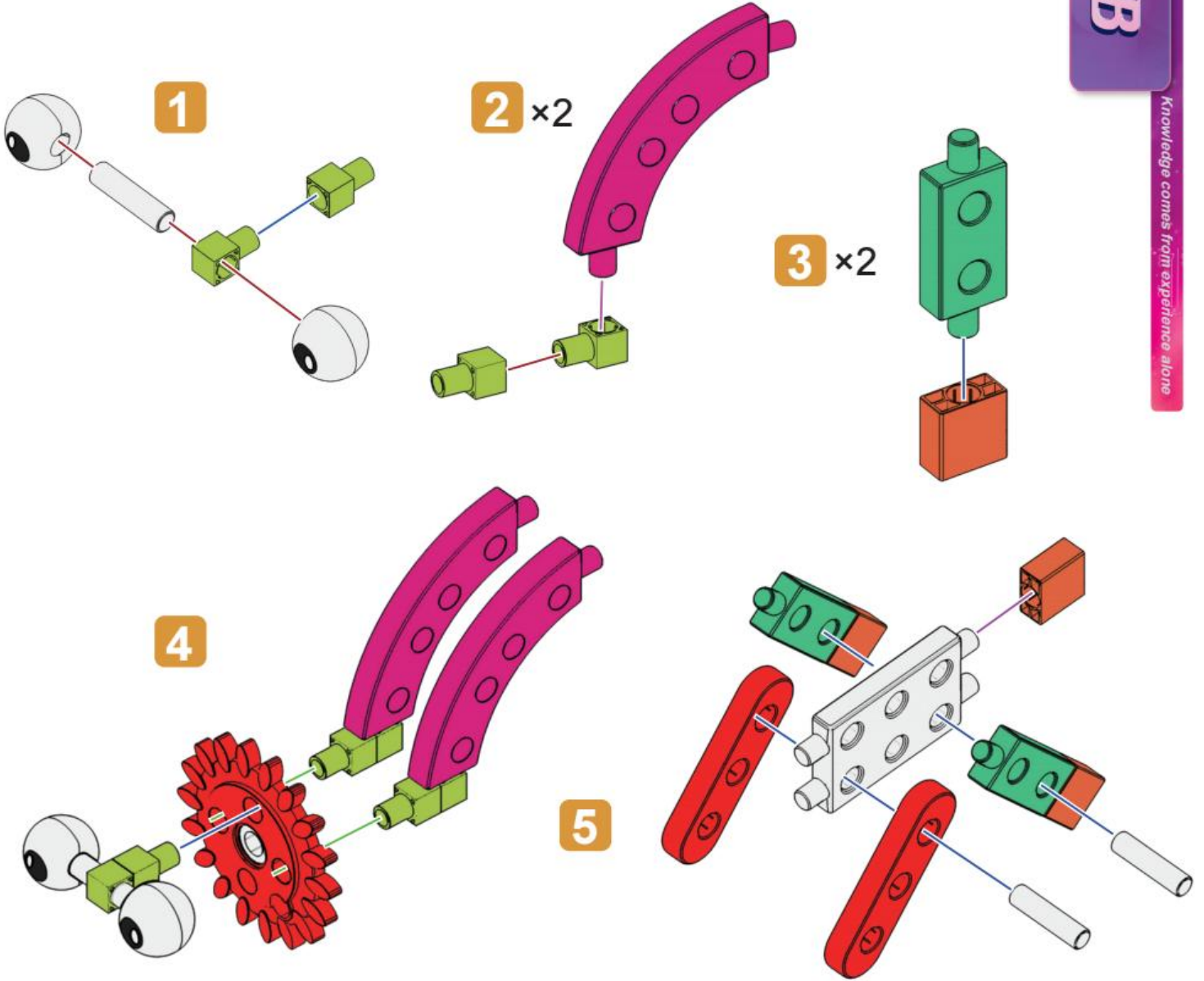
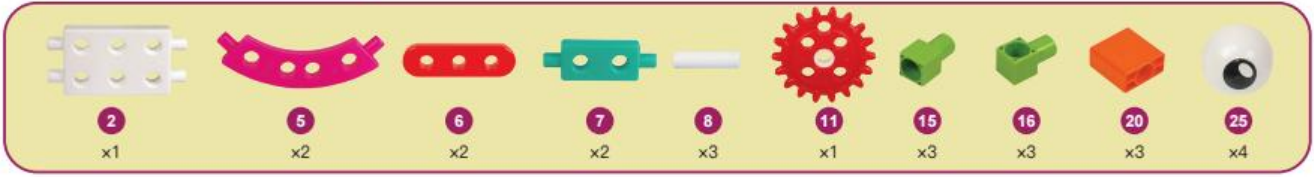


4 x2



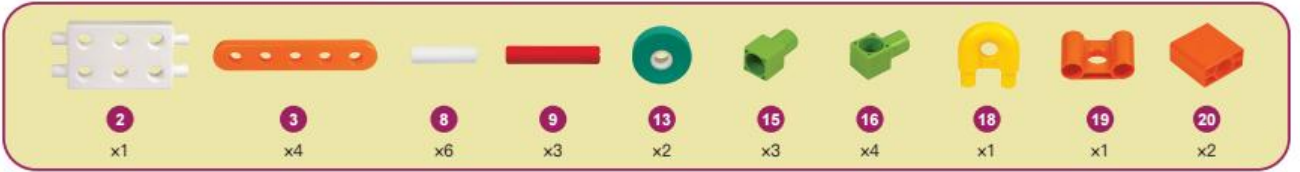
完成
Done



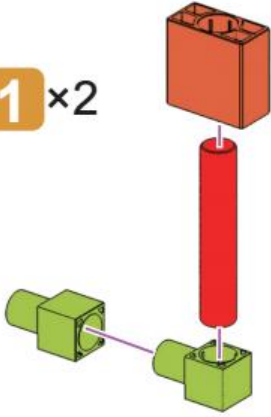


摩托車

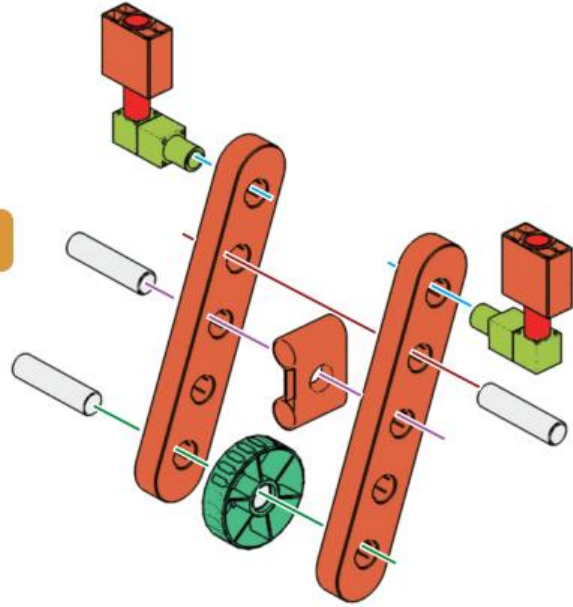
Motorcycle



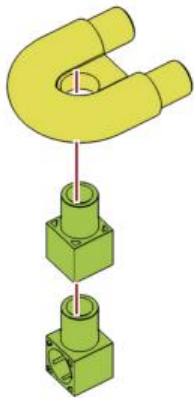
1 x2



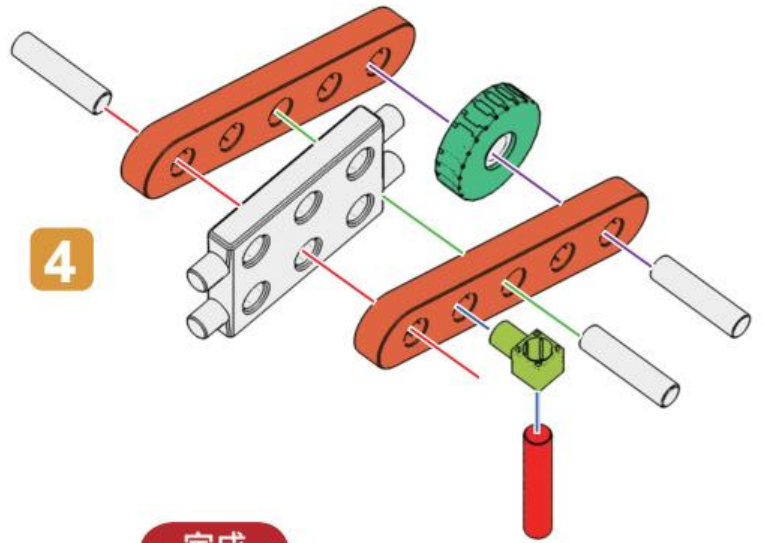
2



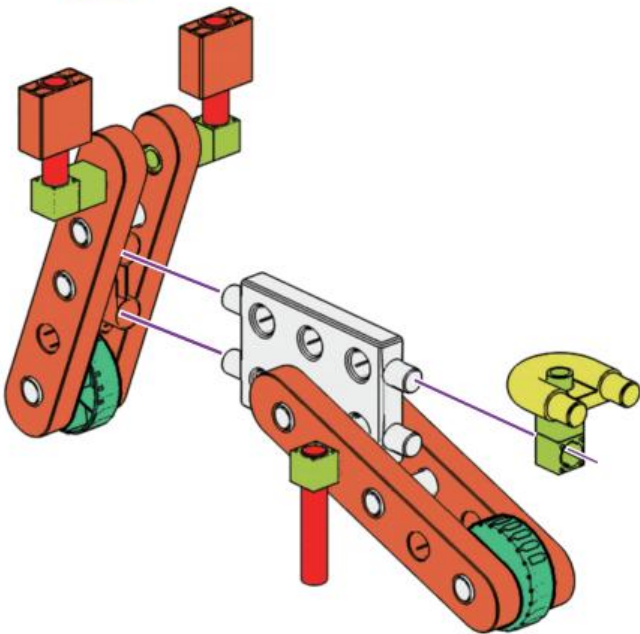
3



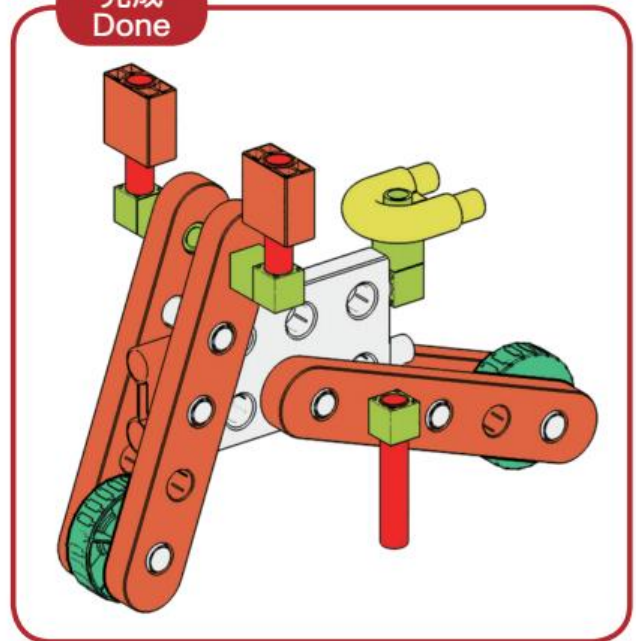
4



5

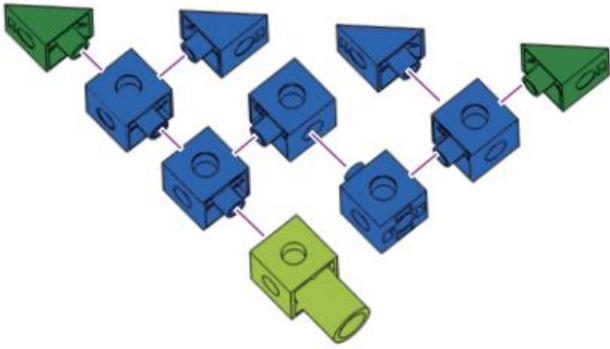


完成
Done

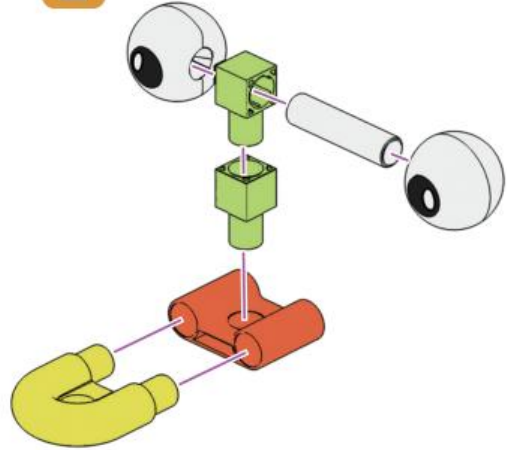




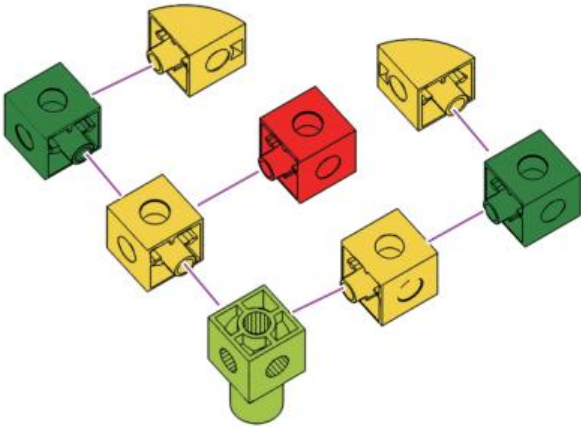
1



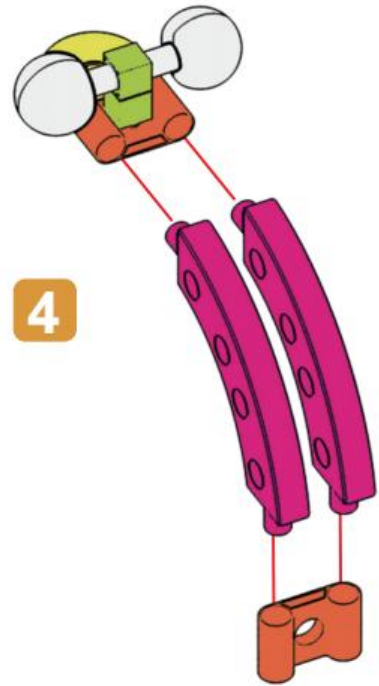
2



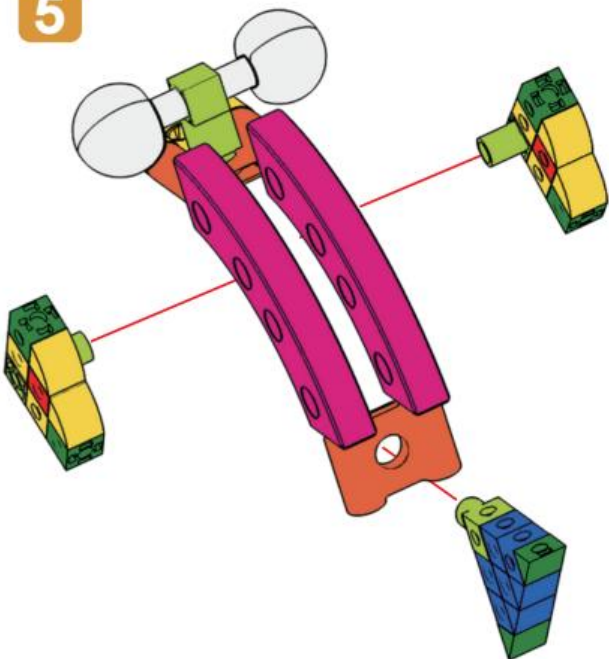
3 x2



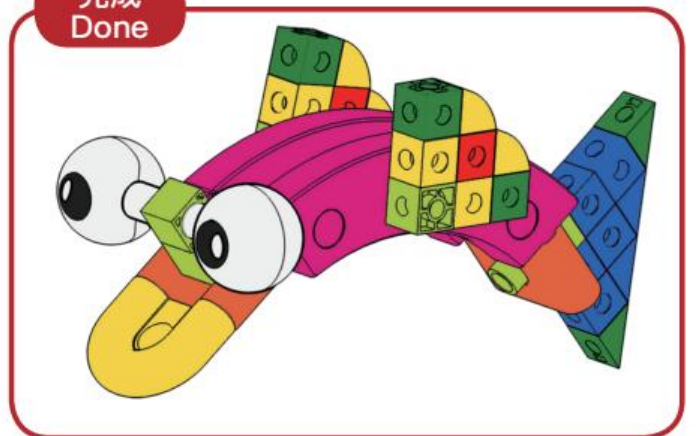
4



5



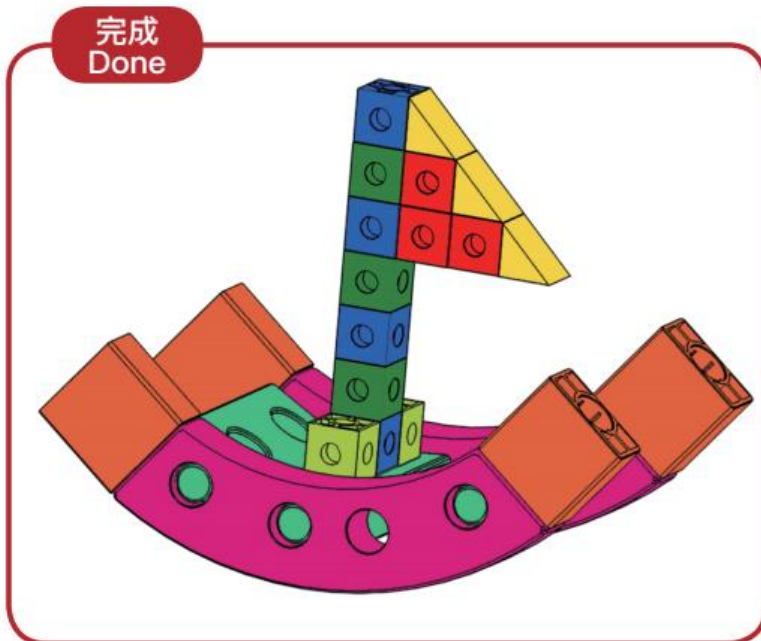
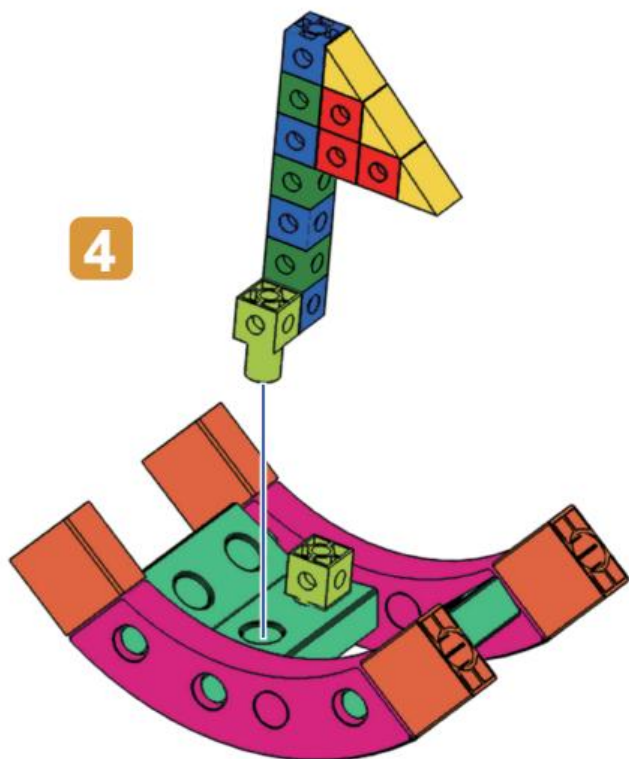
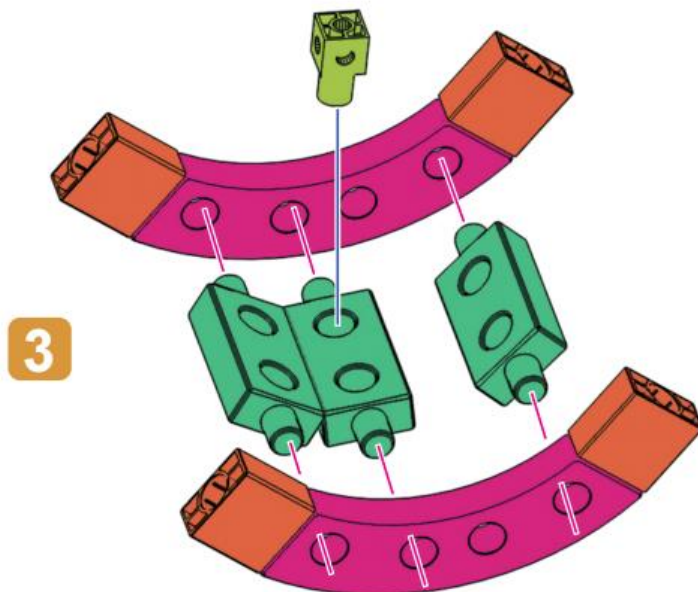
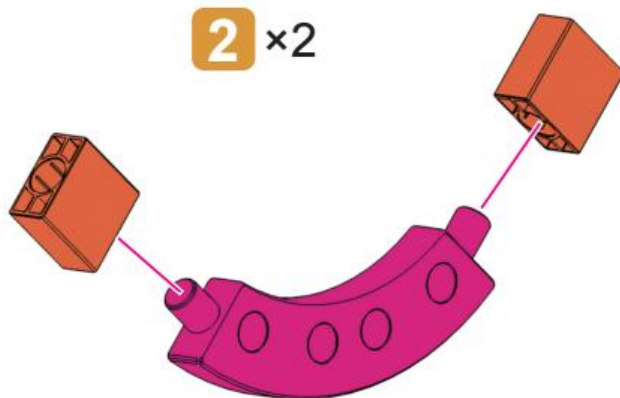
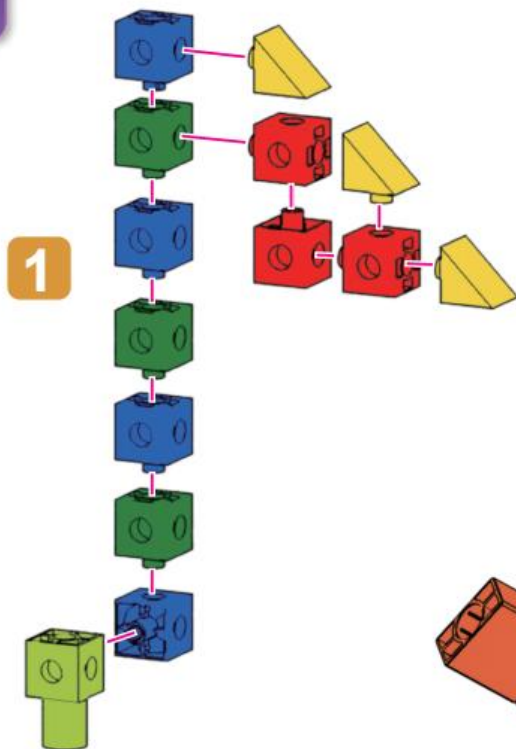
完成
Done

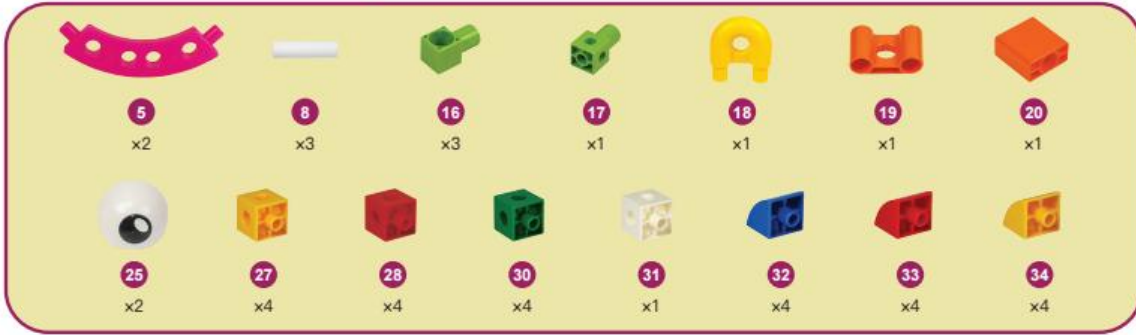


帆船

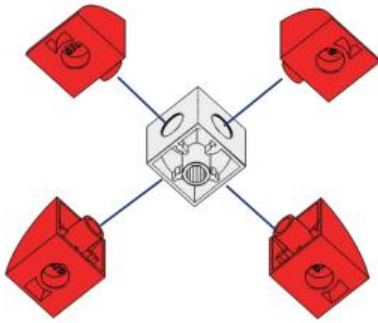
Sailboat

5	7	17	20	28	29	30	36
x2	x3	x2	x4	x3	x4	x3	x3

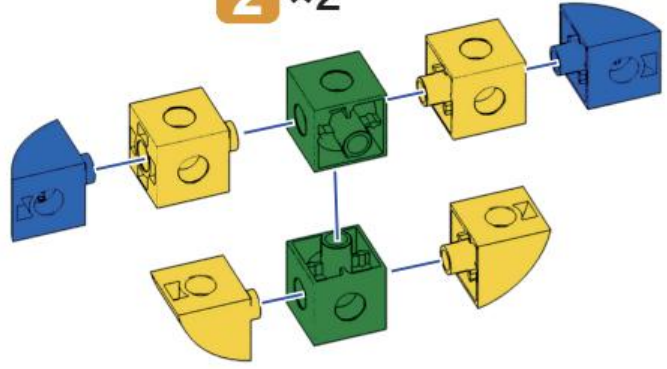




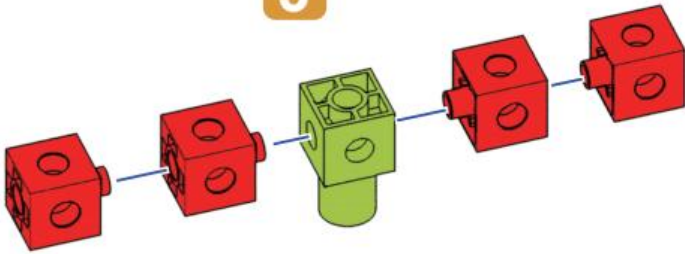
1



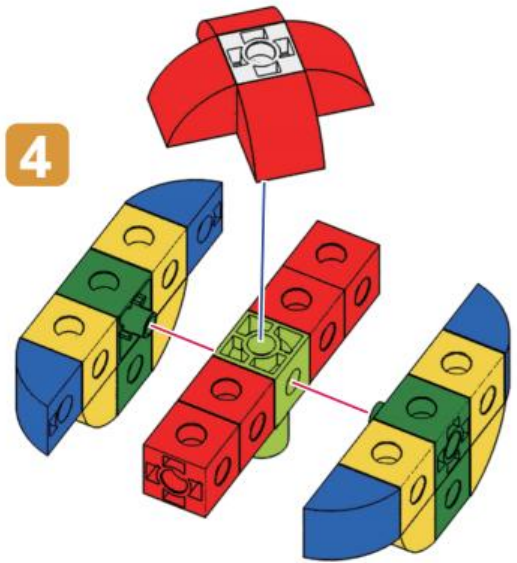
2 x2



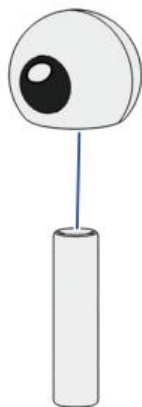
3



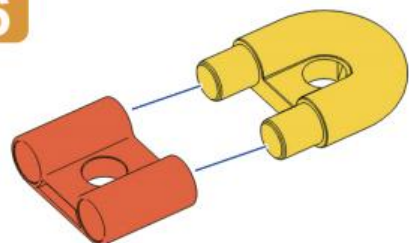
4



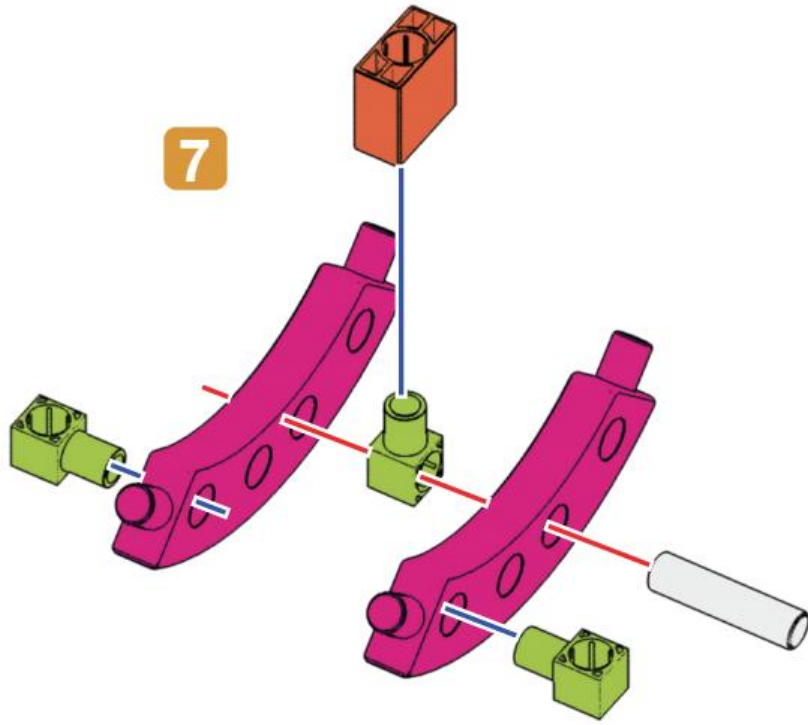
5 x2



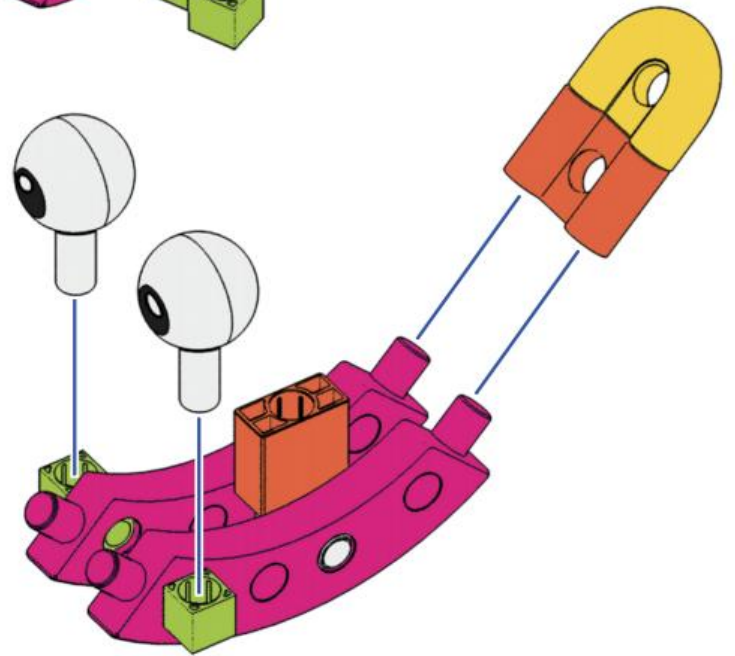
6



7



8

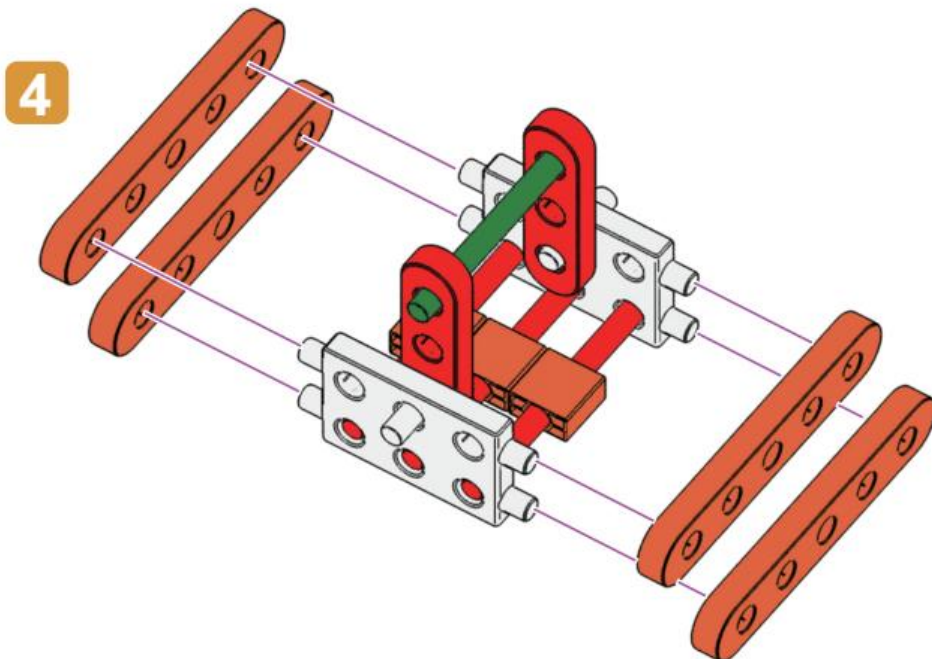
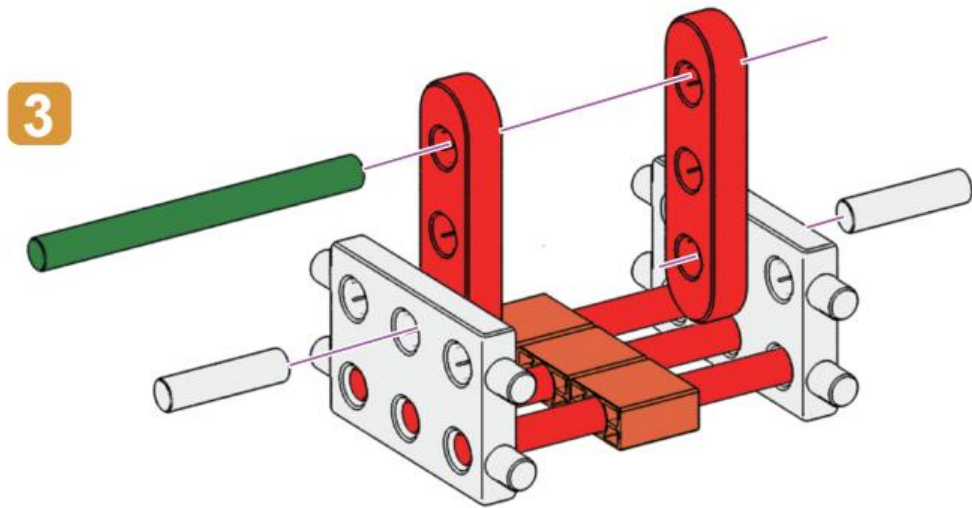
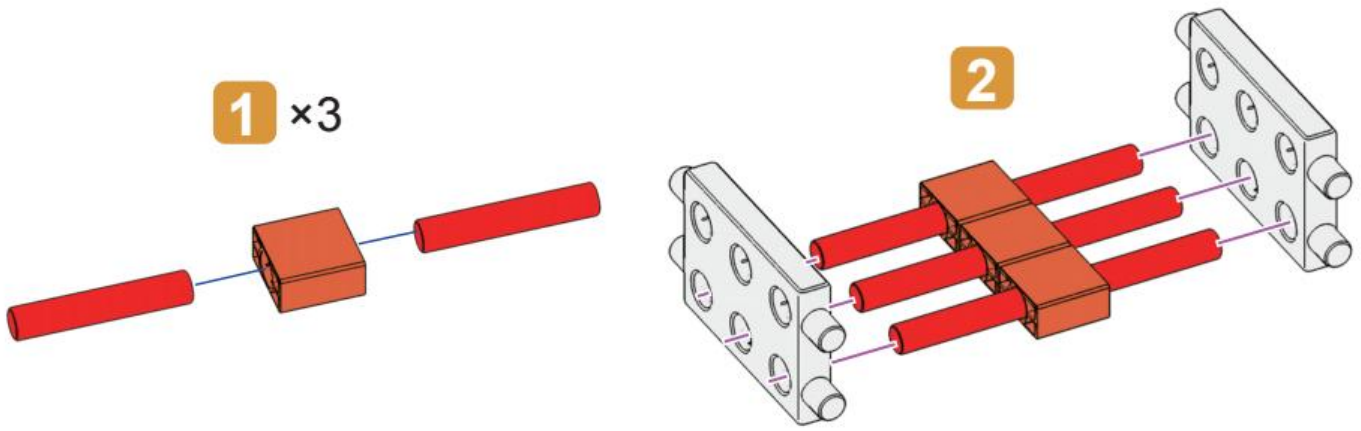
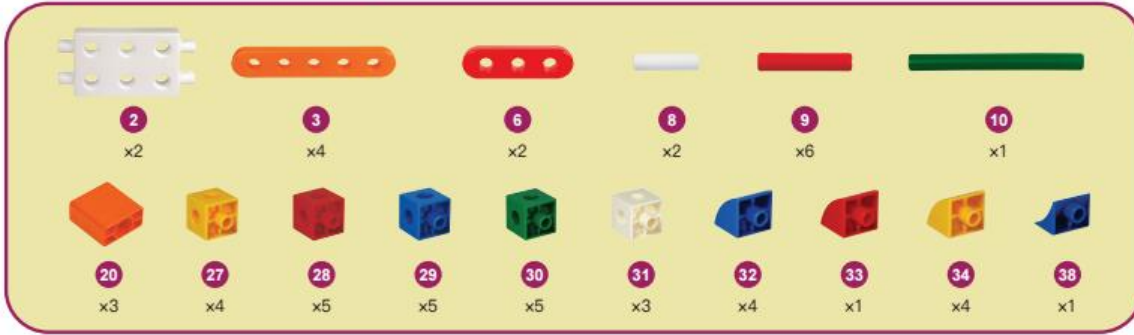


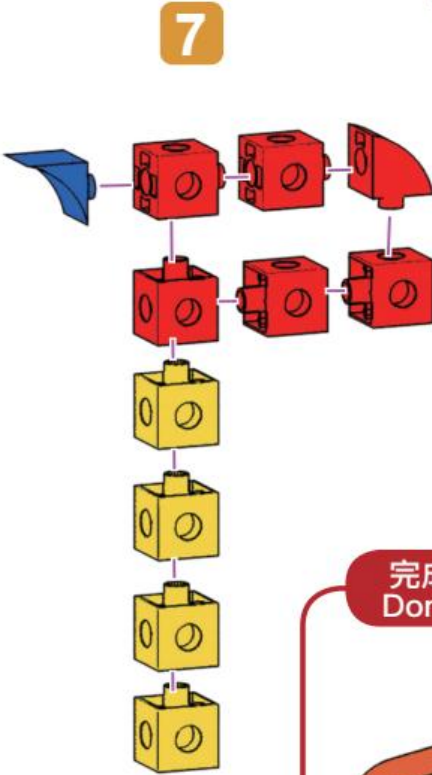
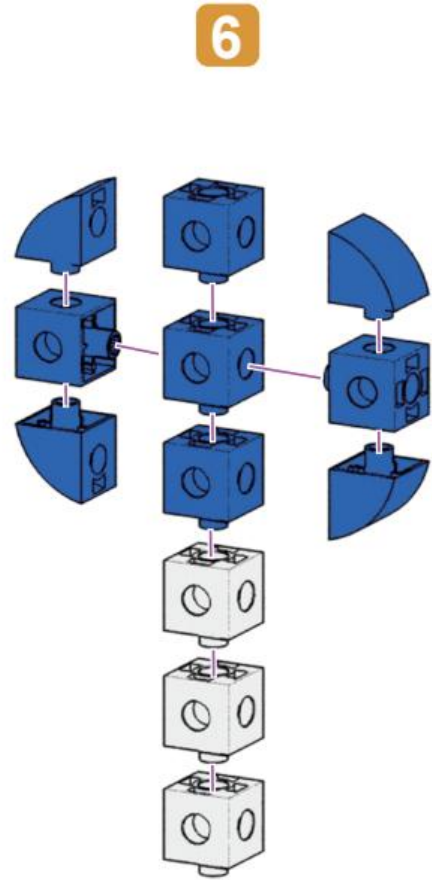
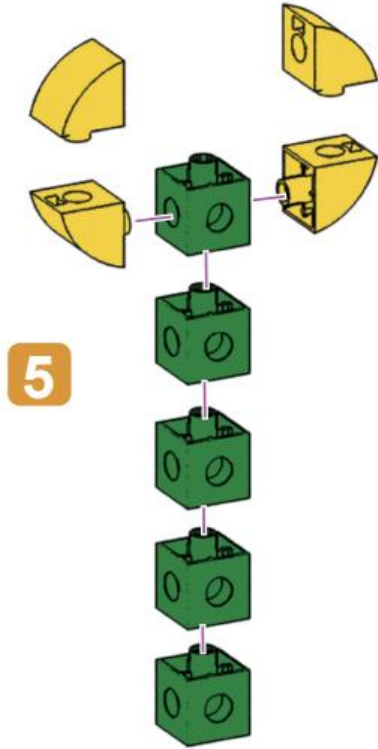
9



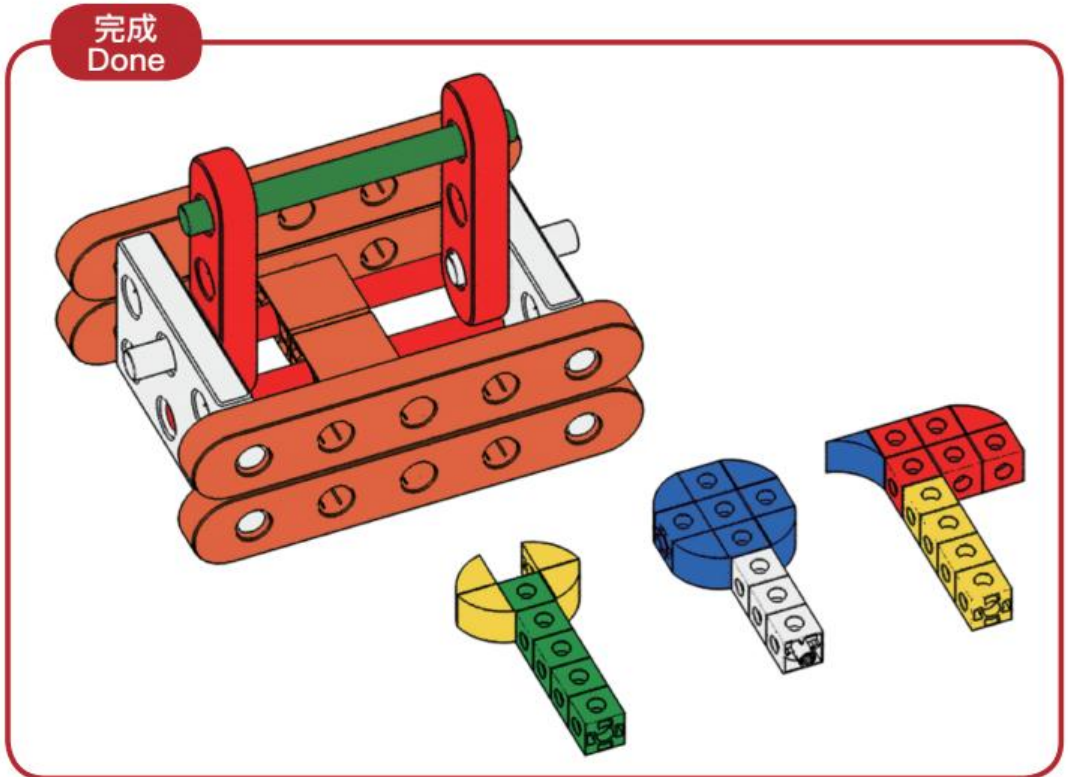
完成
Done

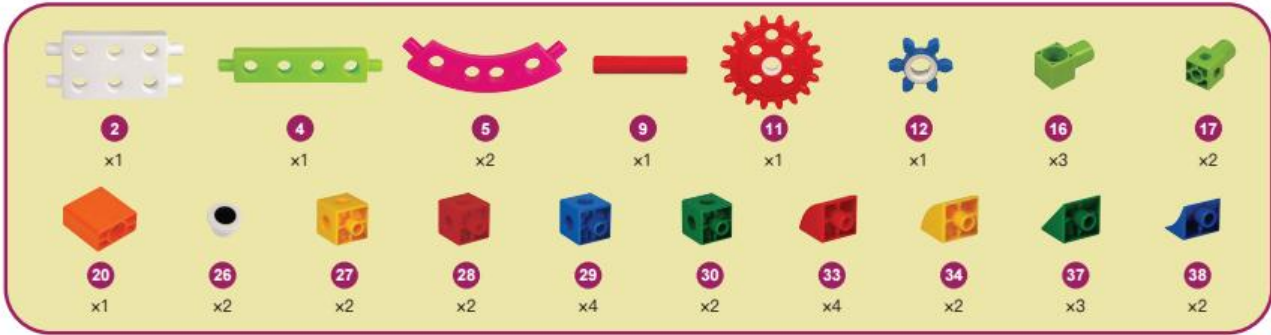




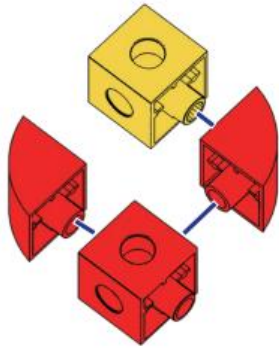


完成
Done

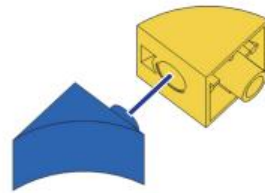




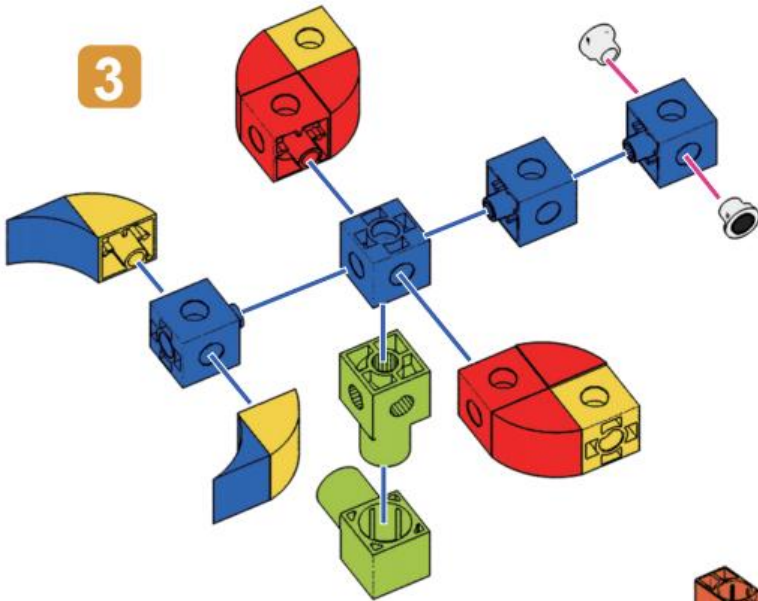
1 x2



2 x2



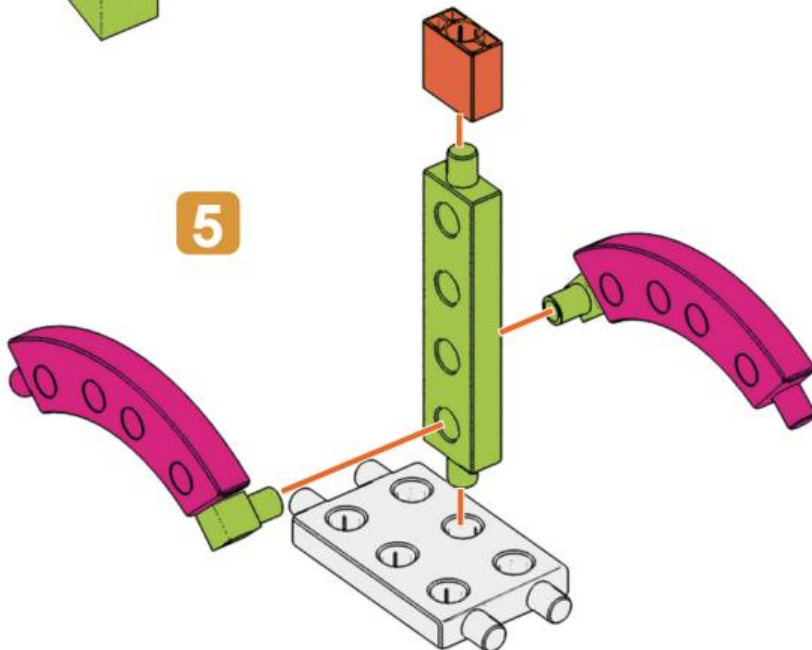
3

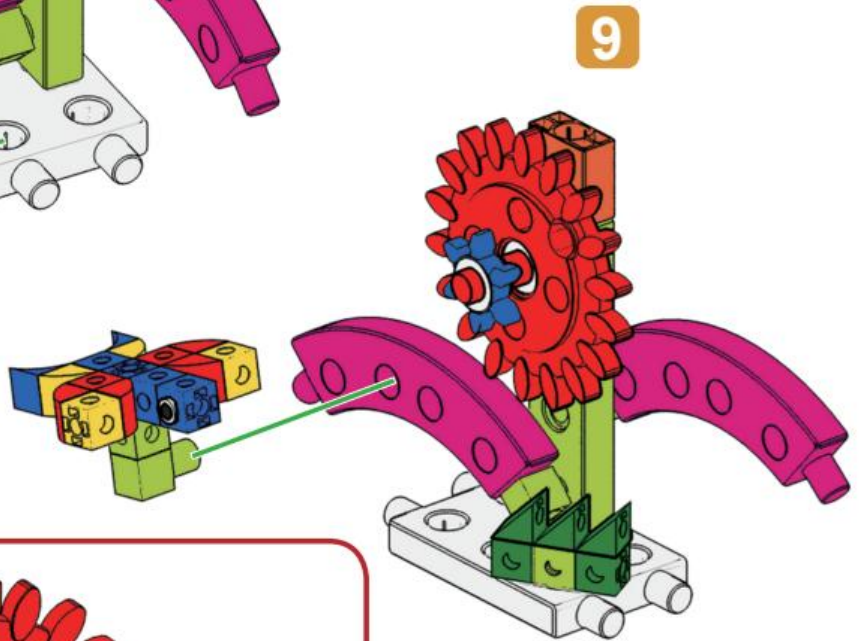
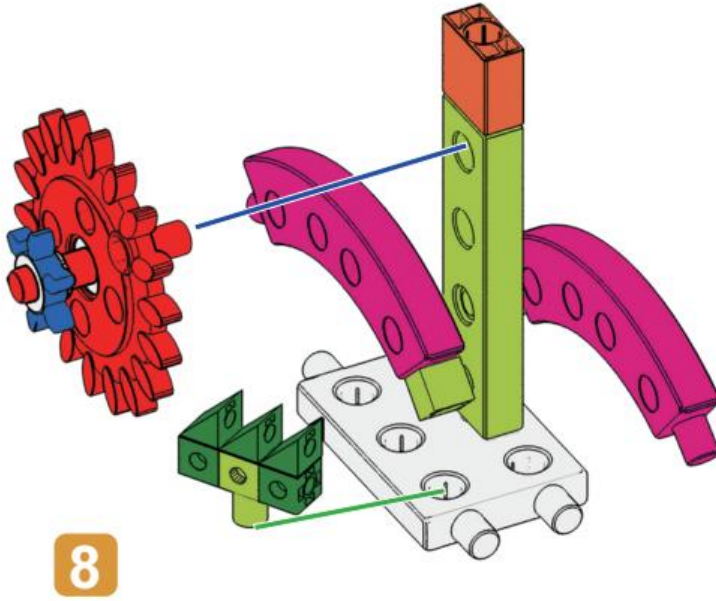
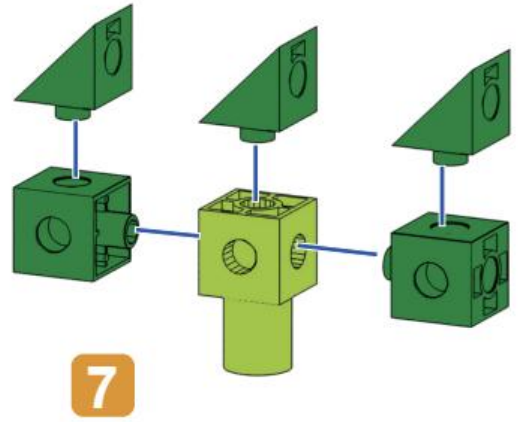
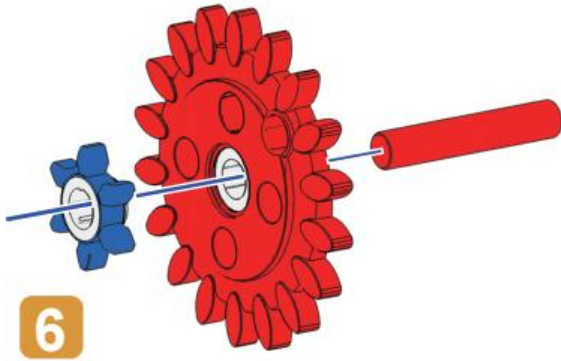


4 x2

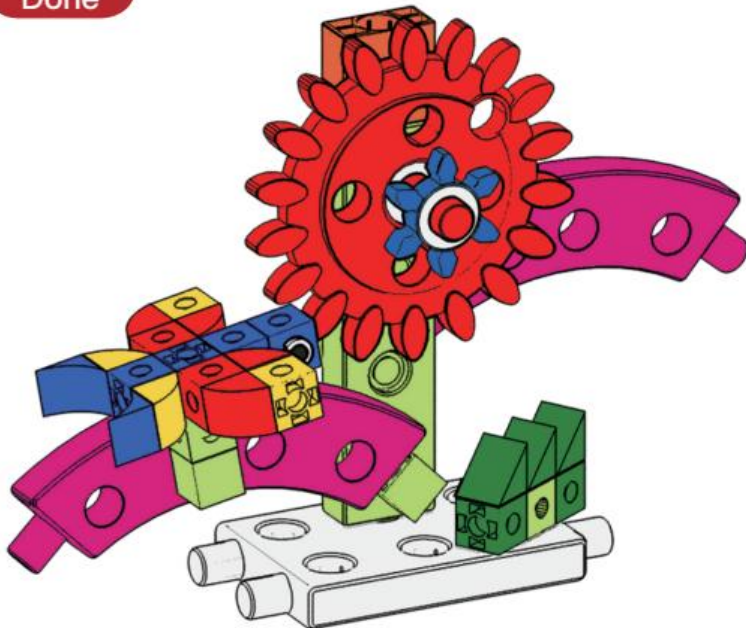


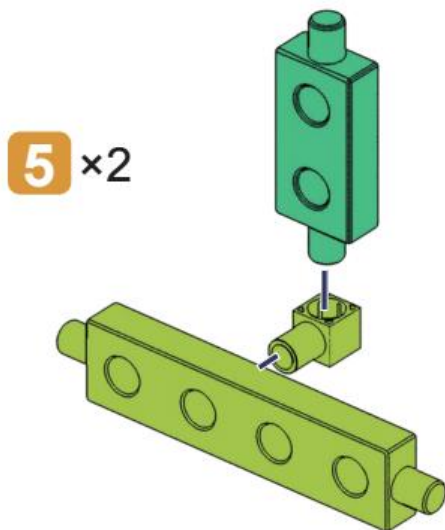
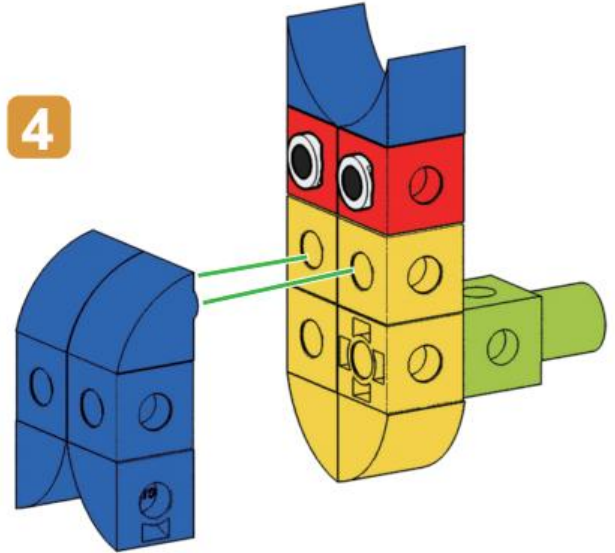
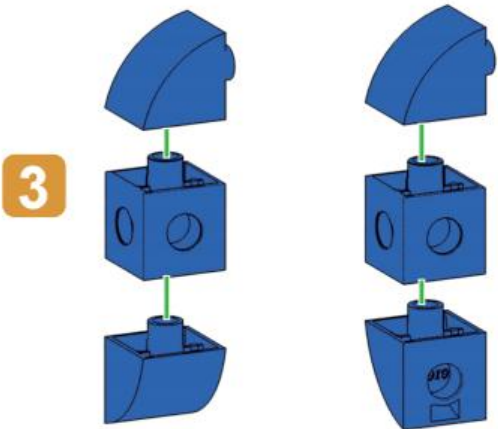
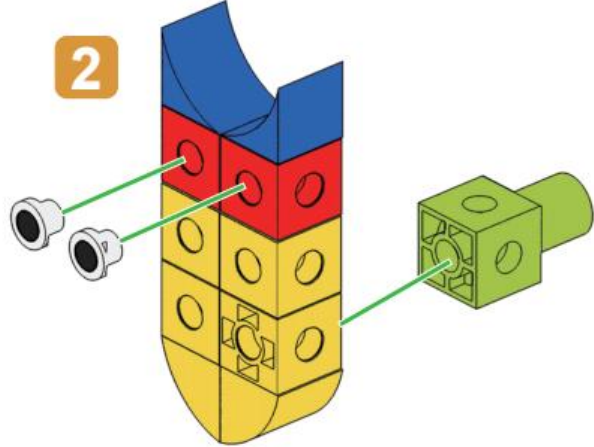
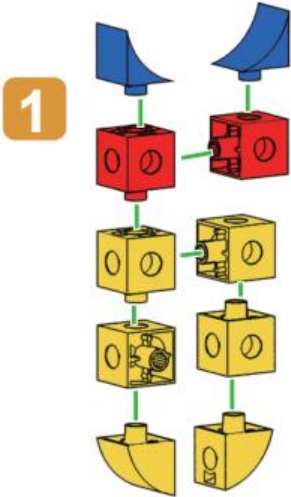
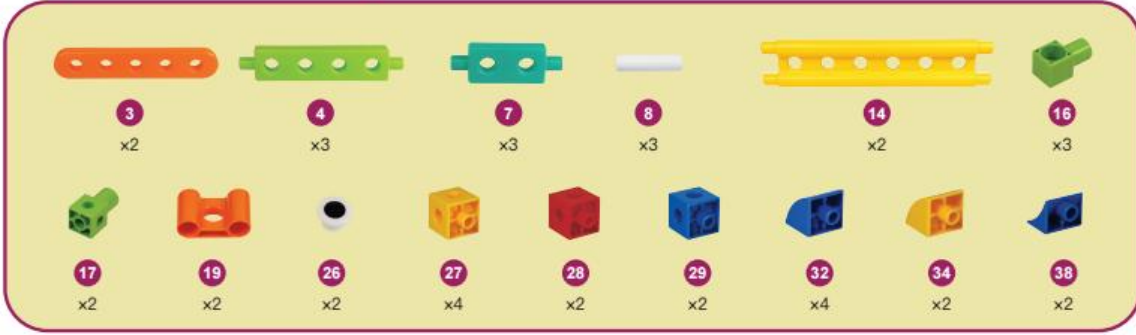
5

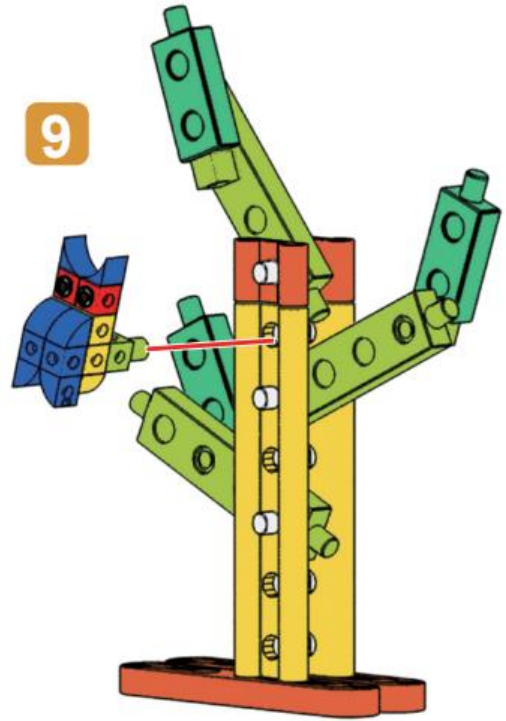
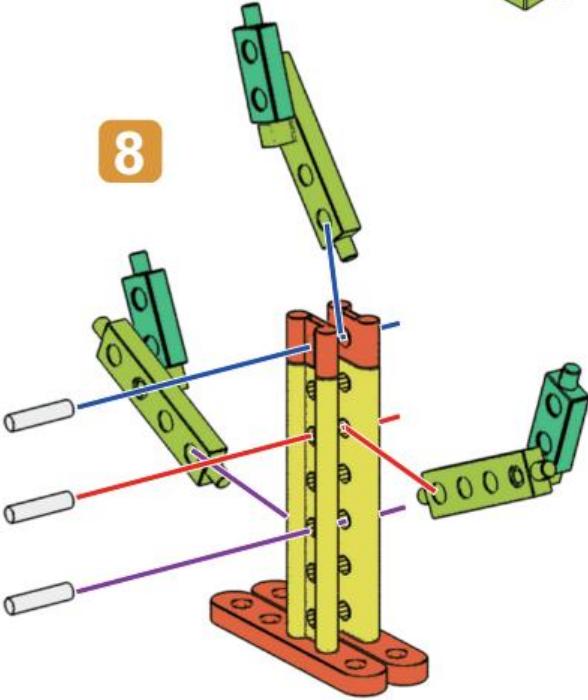
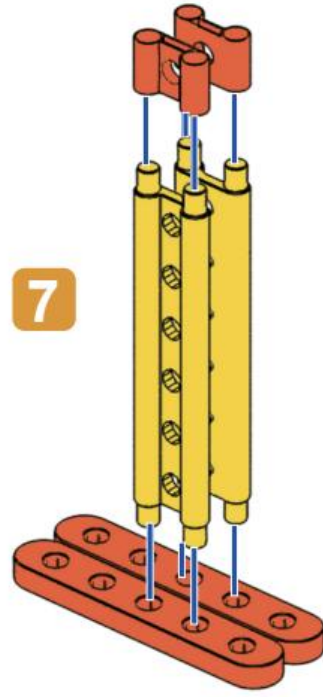
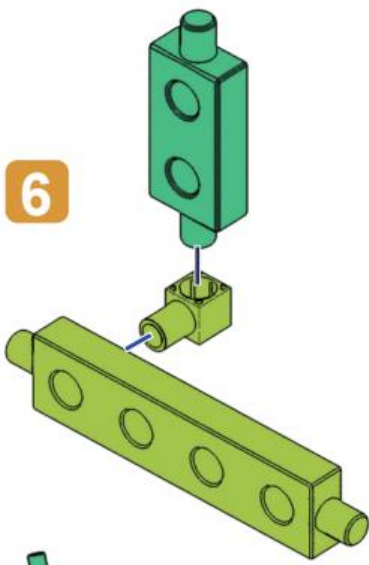




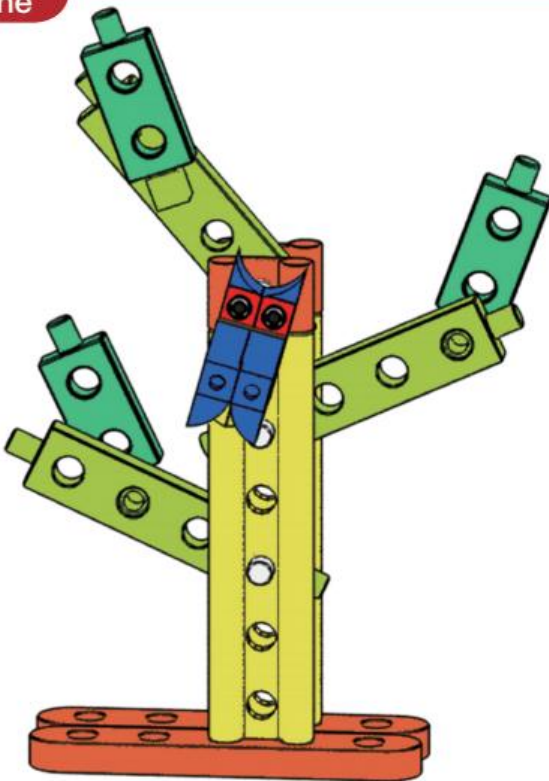
完成
Done

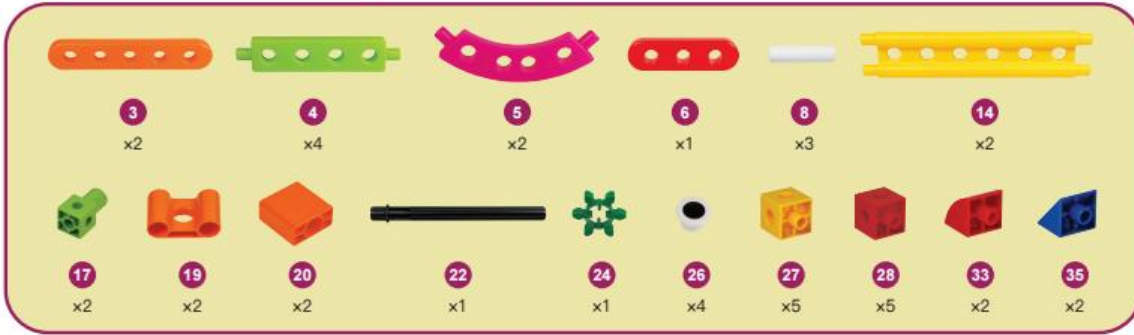




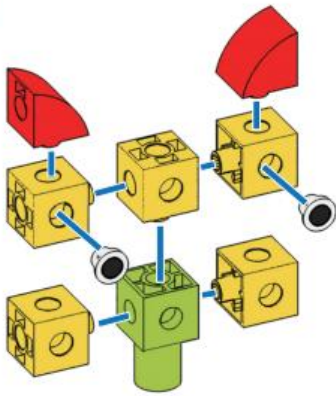


完成
Done

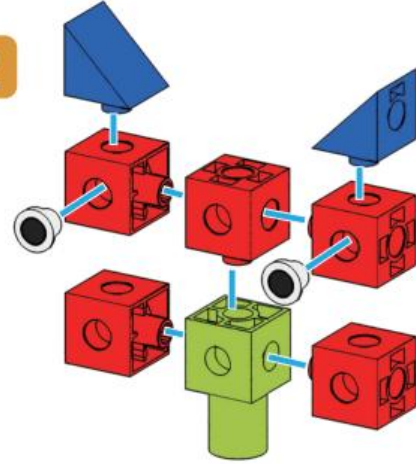




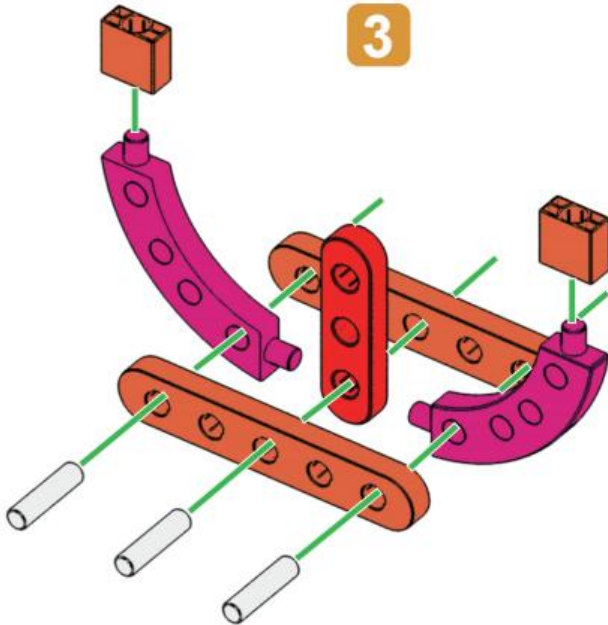
1



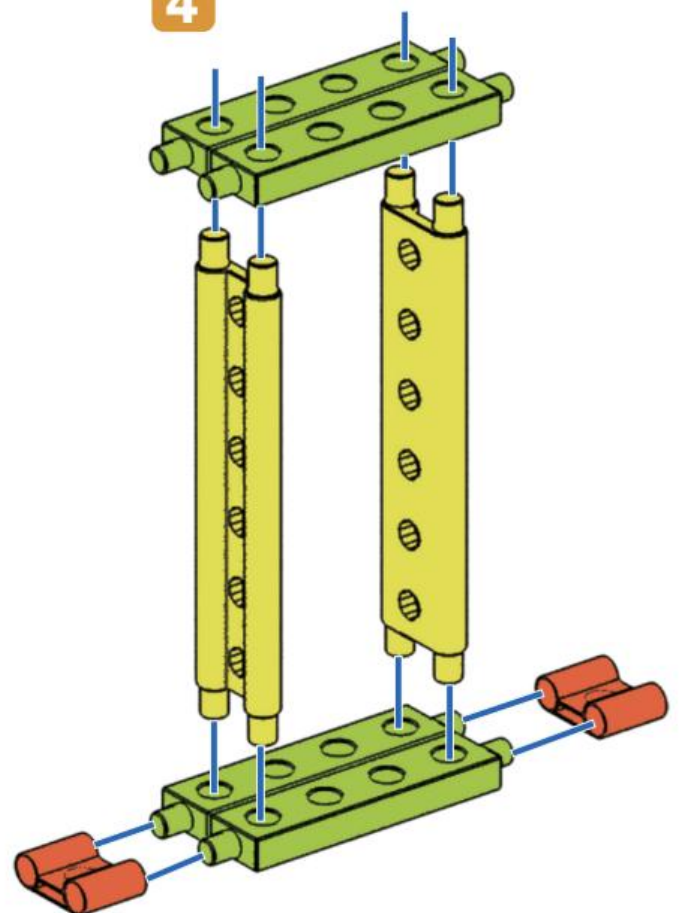
2

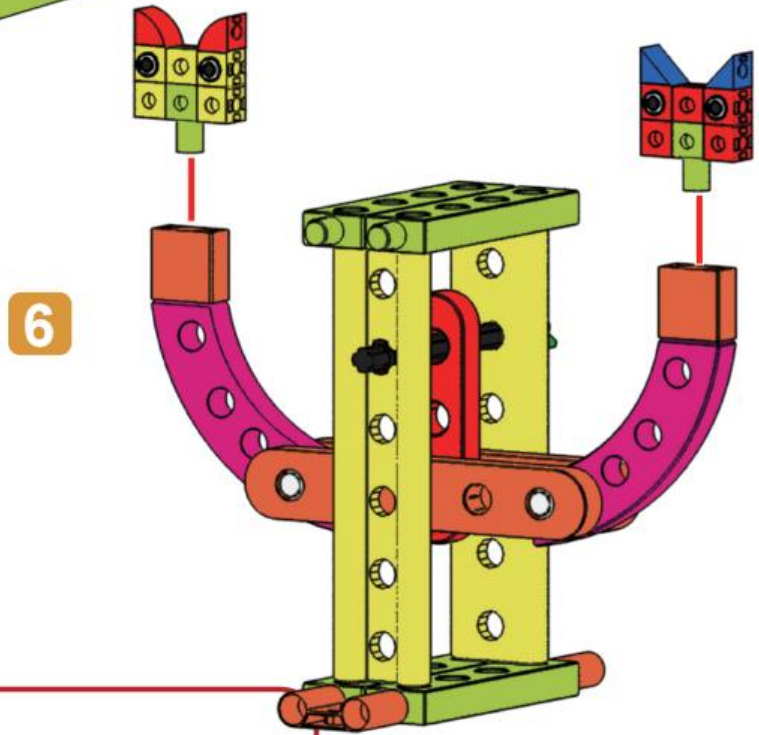
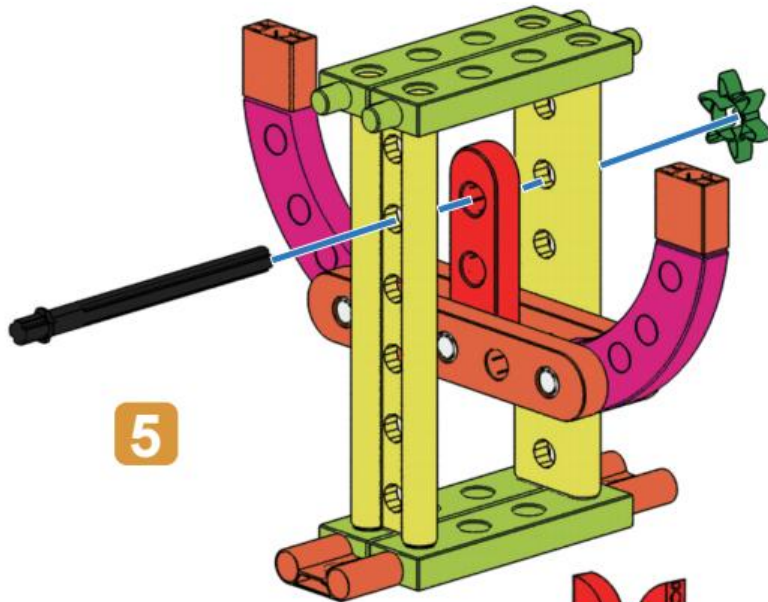


3

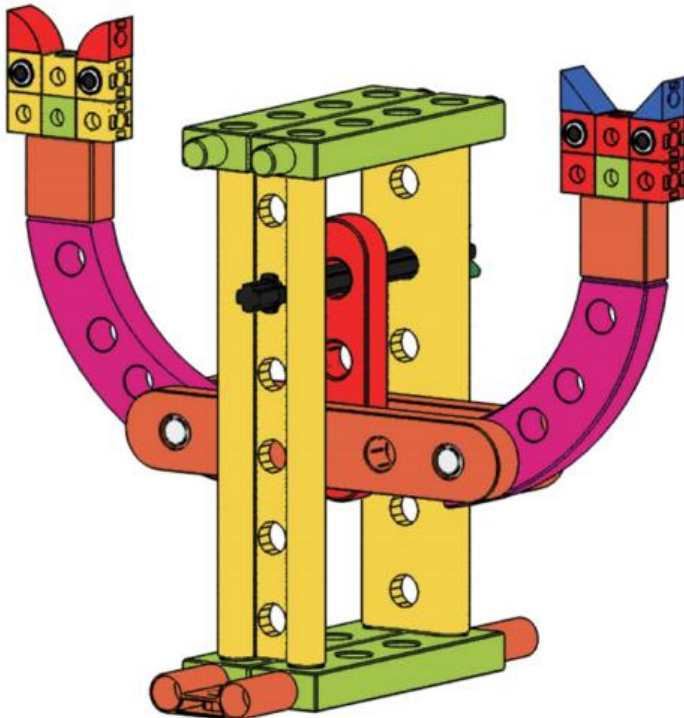


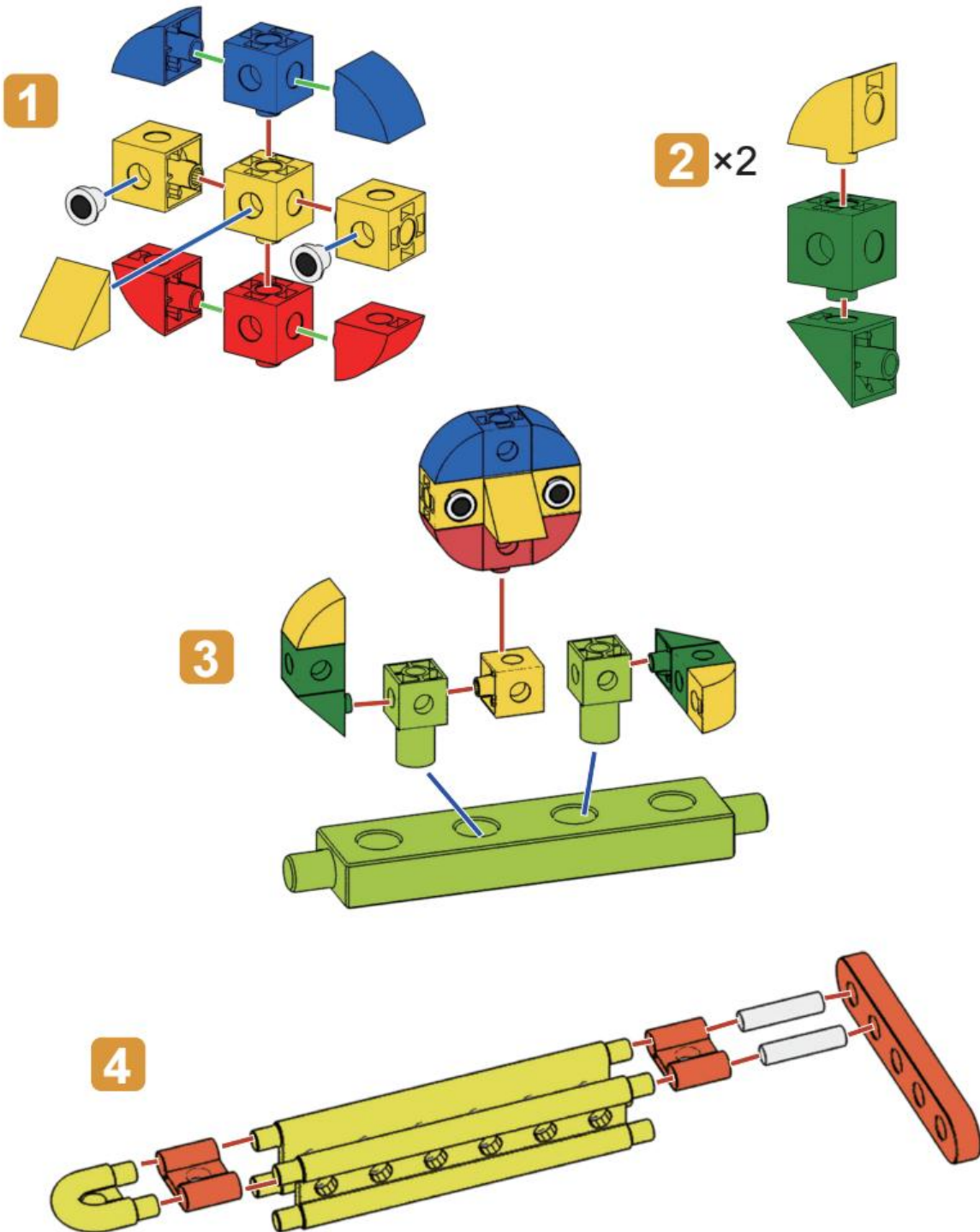
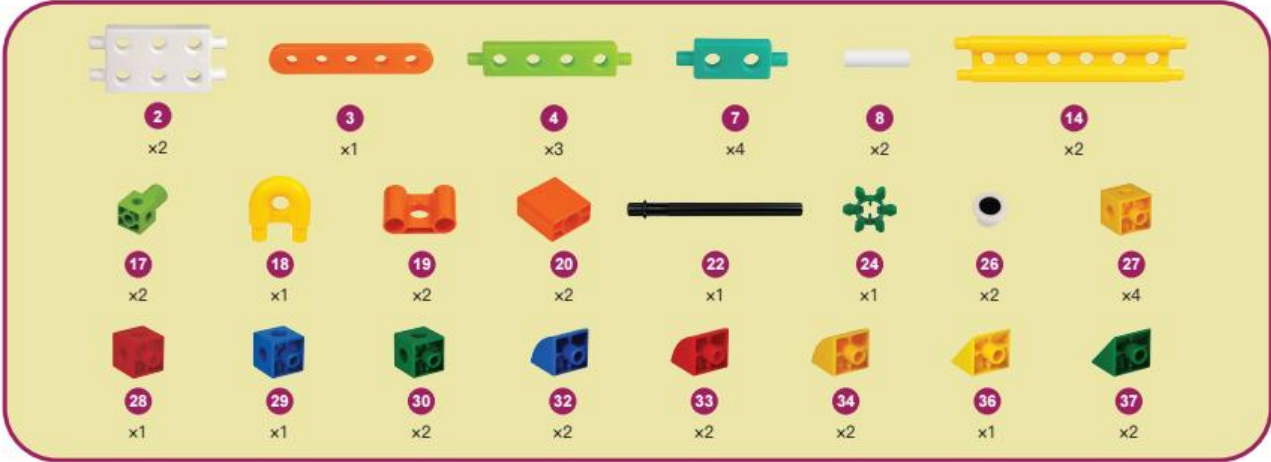
4

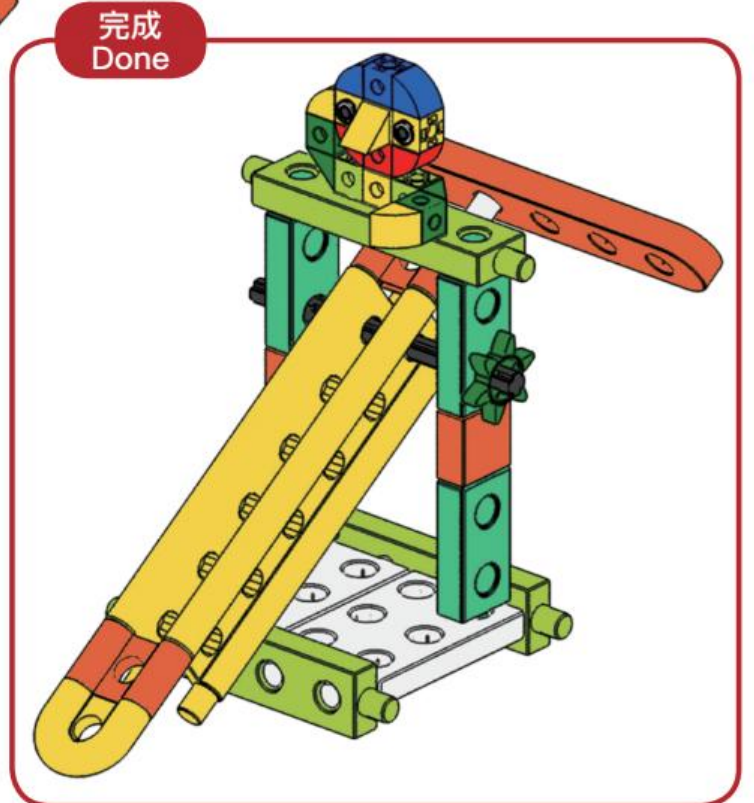
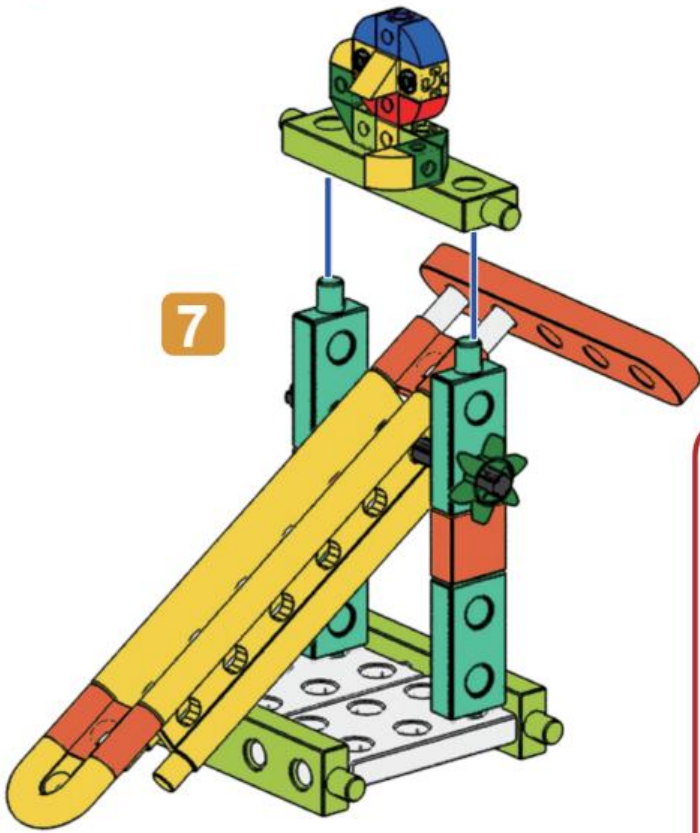
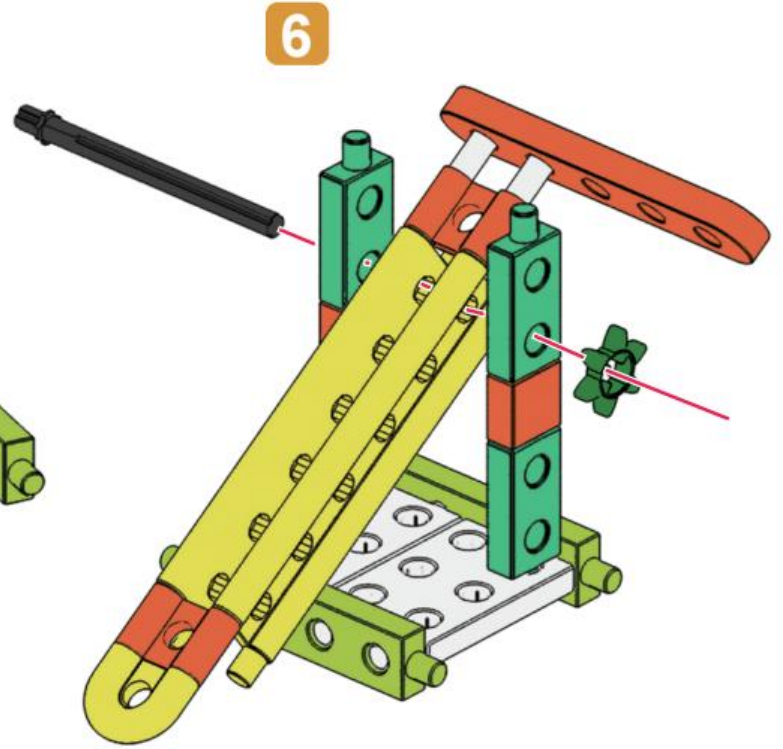
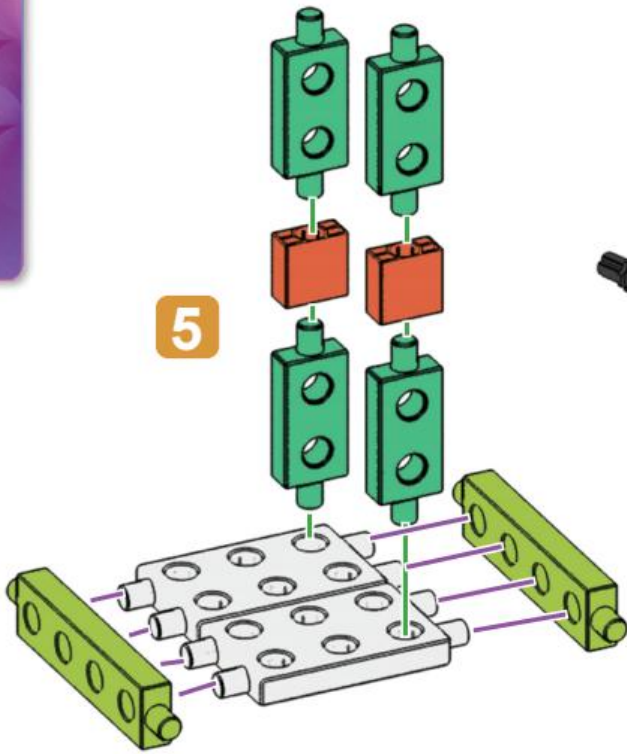


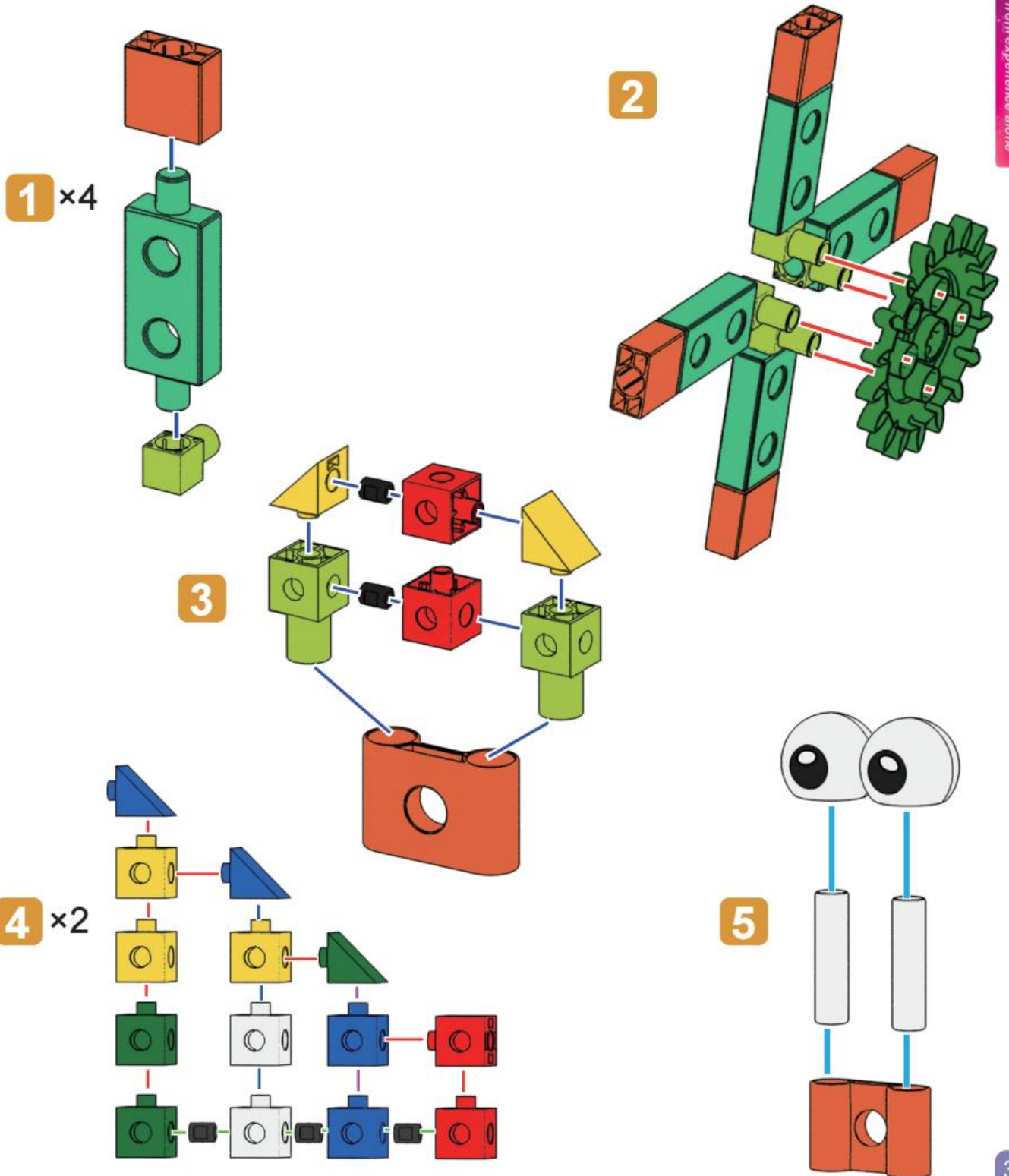
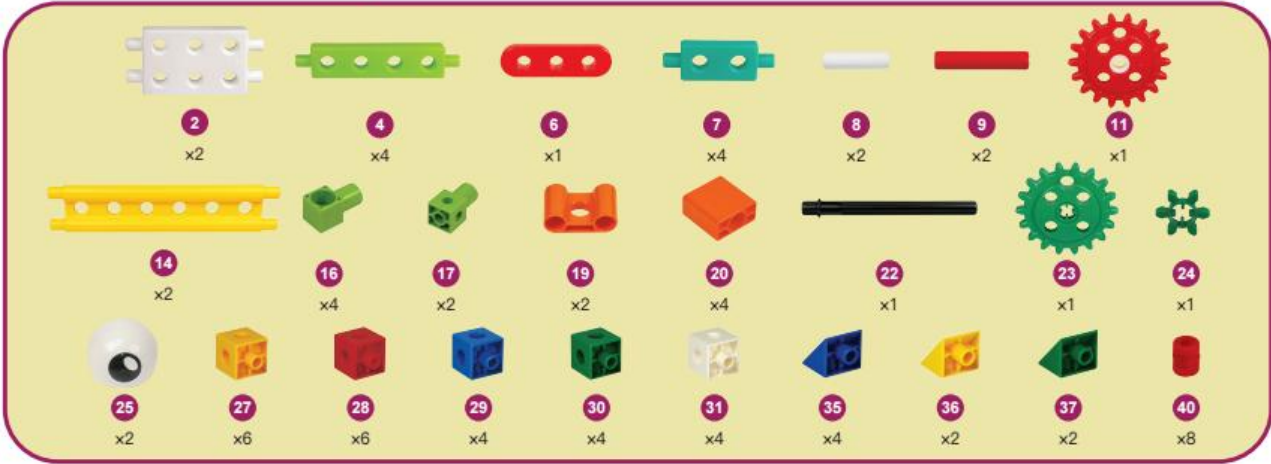


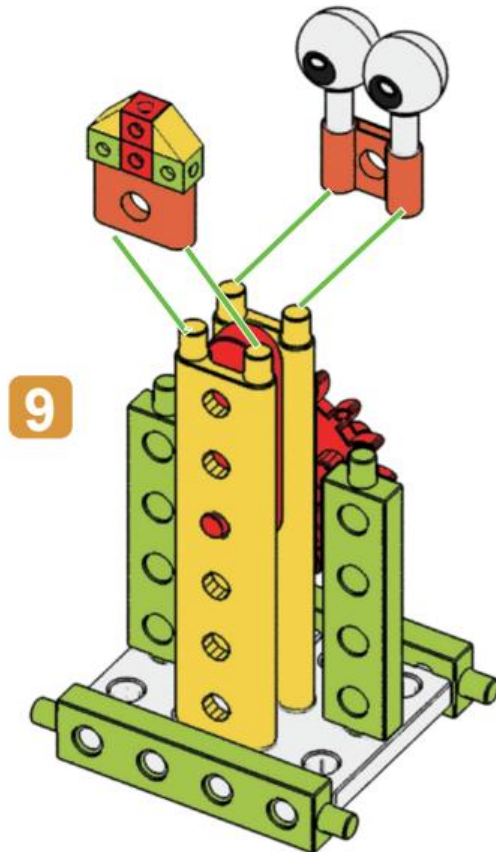
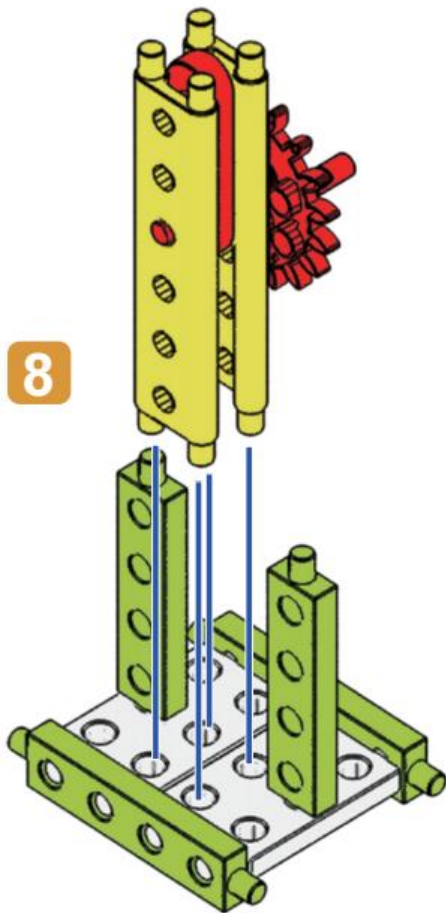
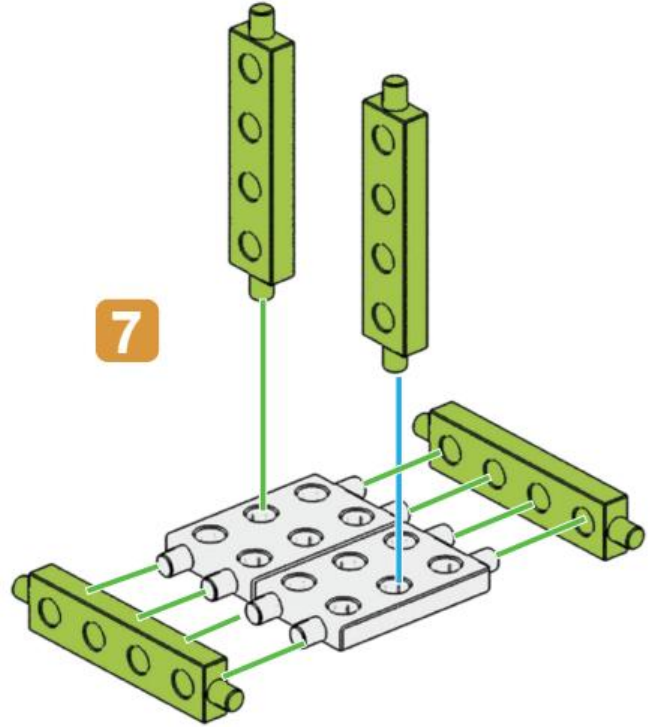
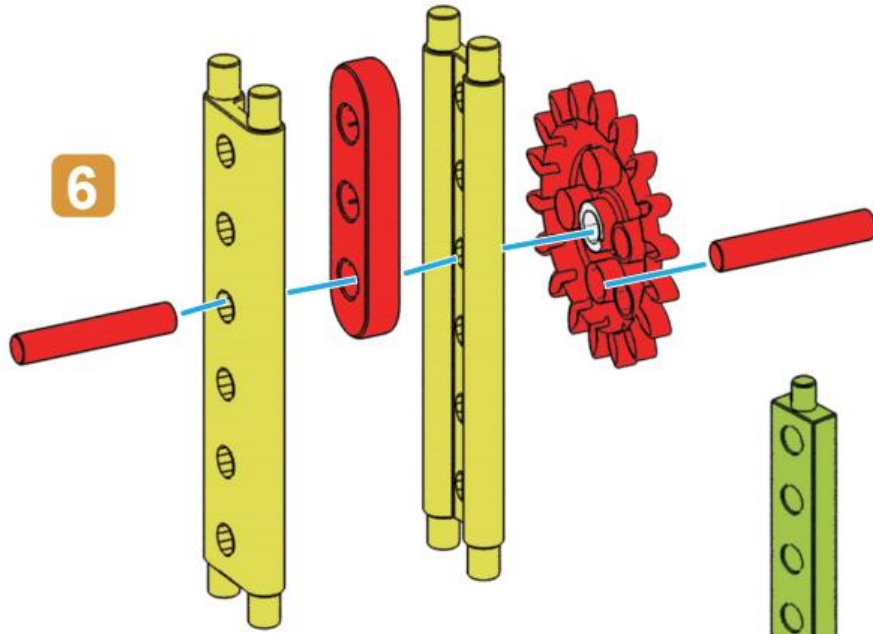
完成
Done

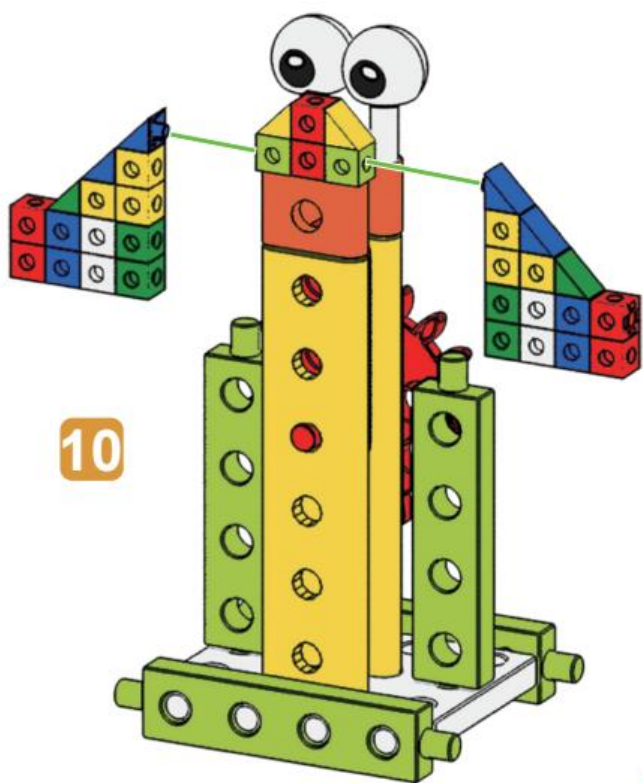




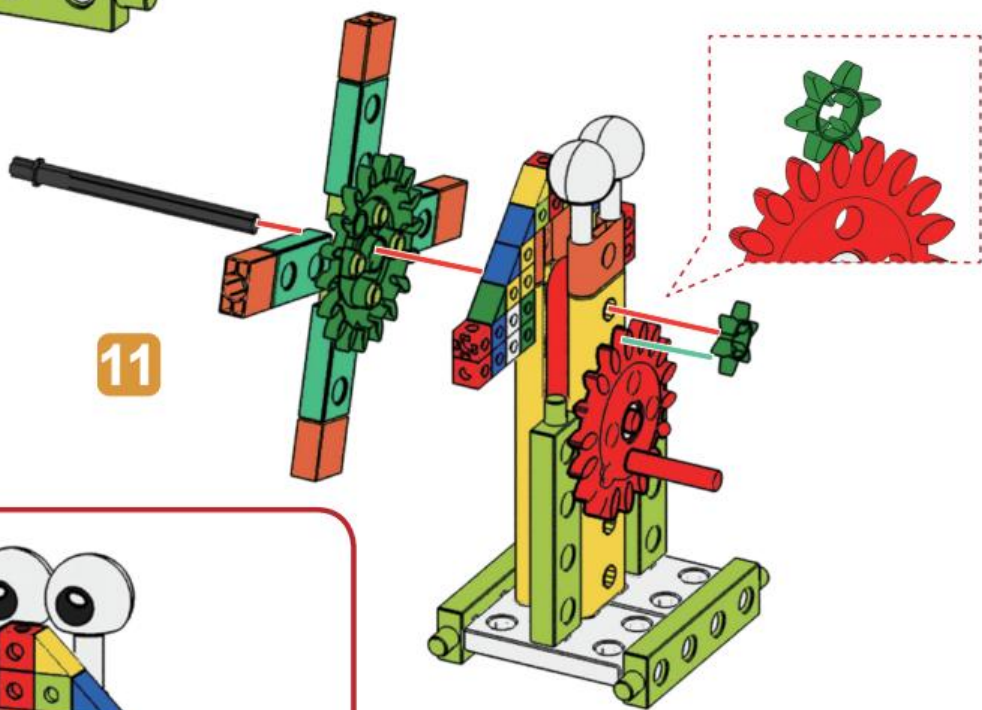






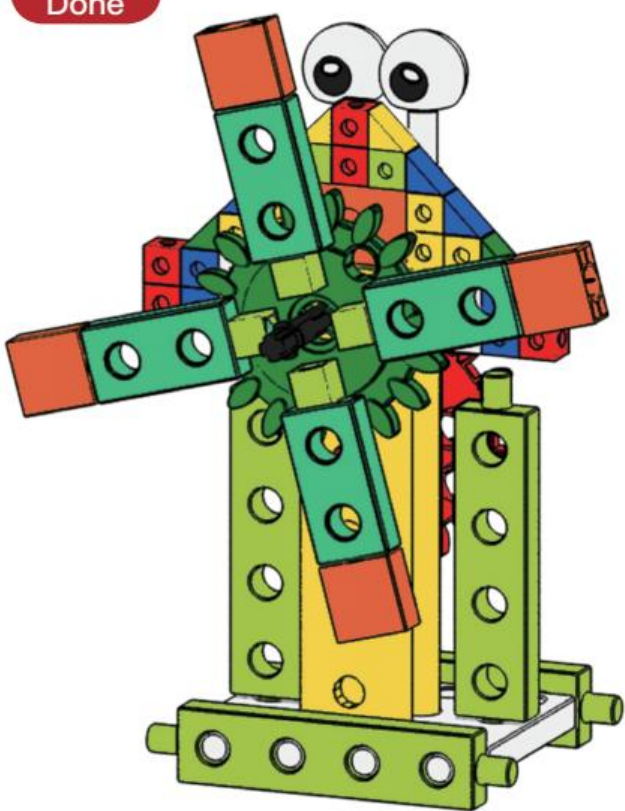


10



11

完成
Done



FUN LAB



#1260
創意積木組
CREATIVE CUBE



#1270
趣味機關組
FUN WITH MECHANISM



#1261
科學探索組
SCIENTIFIC TOUR



#1262
電學補充包
ELECTRICITY KIT



#1264
氣動補充包
PNEUMATICS
KIT



#1265
風力補充包
WIND POWER
KIT



#1266
水力補充包
HYDRAULICS
KIT



#1267
光能補充包
SOLAR POWER
KIT

GENIUS TOY TAIWAN CO., LTD.
www.gigotoys.com MADE IN TAIWAN  

© 2016 Genius Toy Taiwan Co., Ltd. All right reserved
201608 V01-01